

# Sinus pinch valve

for exact shutting off, distribution and dosing

# QV

## Appliance information

Index	Seite
Mode of operation   Application   Closing operation .....	02
Advantages   Construction   Closing operation .....	03
Type marking   Temperature range   Working data .....	04
Dimensions .....	05
Examples of circuit diagrams .....	07 - 08
<b>Single parts of pinch valves:</b>	
QV-013 Nominal size 13 mm .....	09
QV-020 Nominal size 20 mm .....	10
QV-025 Nominal size 25 mm .....	11
QV-032 Nominal size 32 mm .....	12
QV-040 Nominal size 40 mm .....	13
QV-050 Nominal size 50 mm .....	14
QV-065 Nominal size 65 mm .....	15
QV-080 Nominal size 80 mm .....	16
QV-100 Nominal size 100 mm .....	17
QV-125 Nominal size 125 mm .....	18
<b>Appendix</b>	
Control solenoid valve .....	
Quick air-exhaust valve   Pressure switch .....	

**MOLLET** shuts off exactly

**ATEX options**

Gas and Dust 

<b>B6</b>	II 2G IIB	and II 2D IIIB	(attach <b>B6</b> to the order code)
<b>B11</b>	II 1/2G IIB	and II 1/2D IIIB	(attach <b>B11</b> to the order code)
<b>B22</b>	II 1G IIB	and II 1D IIIB	(attach <b>B22</b> to the order code)



acc. to Directive 2014/68/EU for pressure equipment:

usable up to **6 bar** and up to **DN 100** for **hazardous gases and liquids of group 1**

for example in pneumatic conveyer systems of flammable dusts etc.

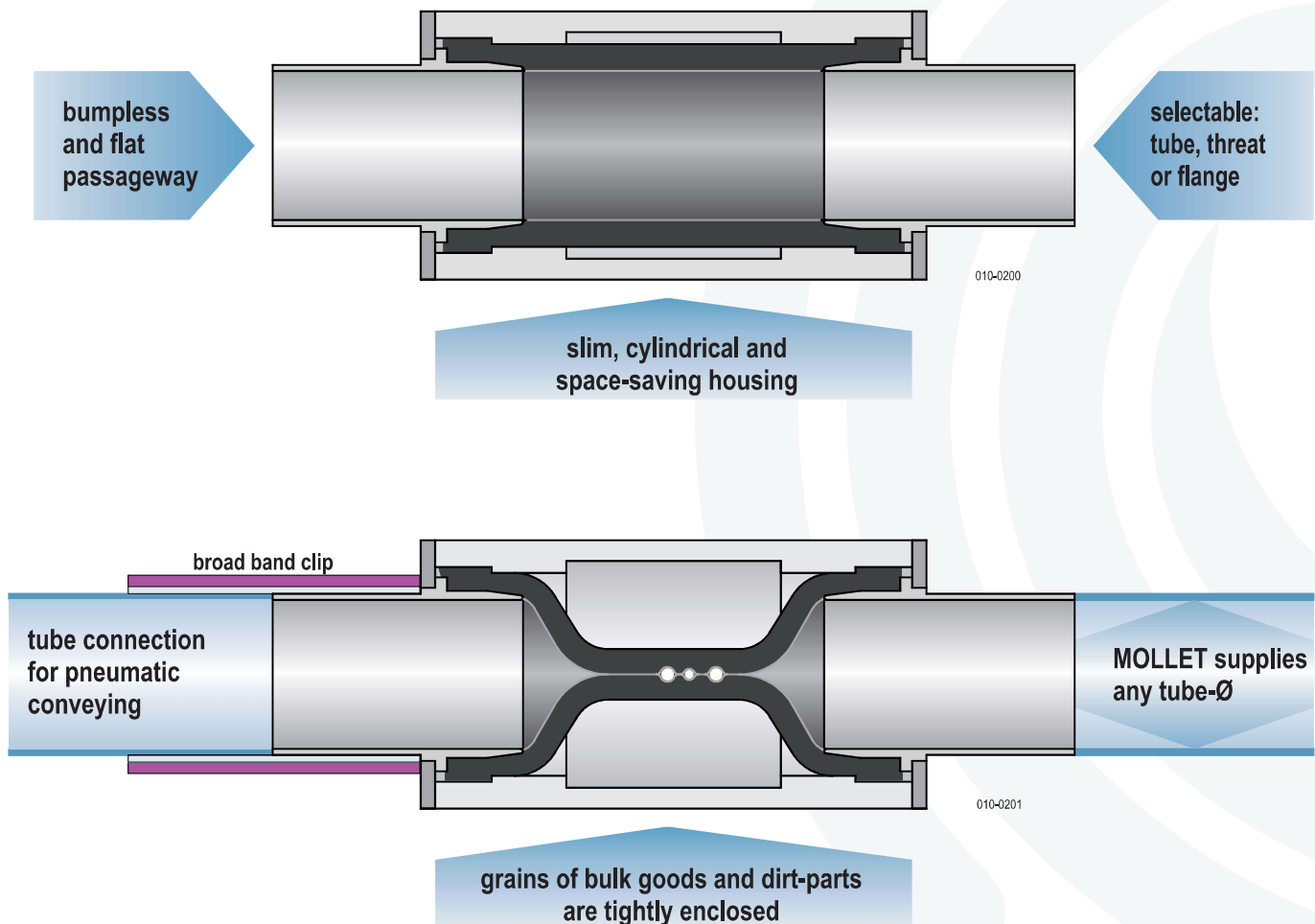
## Mode of operation

- simple principle
- the cylindrical, elastic hose will be squeezed either by compressed air or by water pressure
- existing solids will be enclosed
- after pressure release of the control pressure, the hose opens and returns in its original and circular shape

## Use

- pneumatic conveyors
- Food industry
- Chemical industry
- Environment technology
- Construction industry
- Silos

For exact shutting off, distribute, and dose from powdery, granular, viscous, soiled and aggressive substances and gases.



## Closing operation



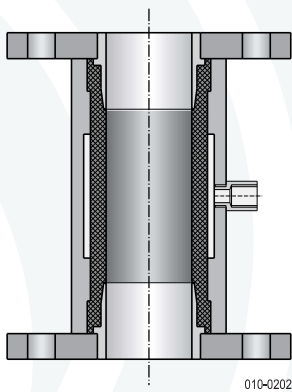
## Advantages

- opens always in a circular shape
- 60-70% less compressed air
- less abrasion
- long service life of hoses
- easy change of hoses

## Construction

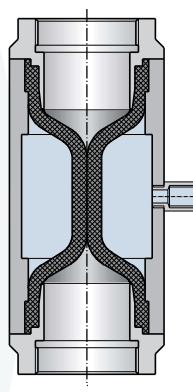
- simple construction and thereby safe to operate
- in the aluminium housing a rubber hose is installed, reinforced with fabric inlay and fixed with two clamping sleeves
- straight, not reduced passage
- no jam
- no pressure drop

**-FF-** (flange-flange)



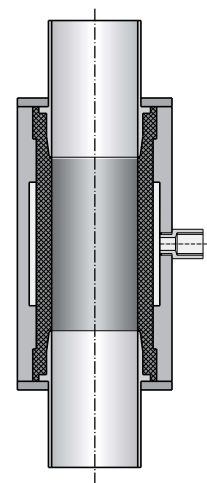
010-0202

**-GG-** (thread-thread)



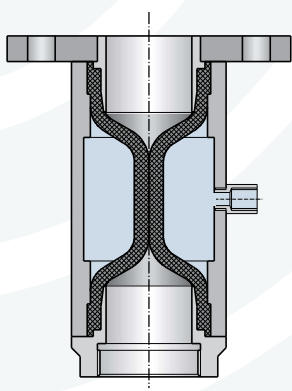
010-0203

**-RR-** (tube-tube)



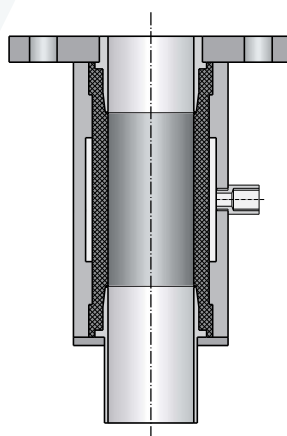
010-0204

**-FG-** (flange-thread)



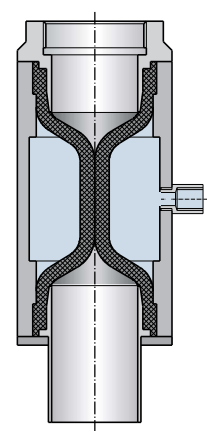
010-0205

**-FR-** (flange-tube)



010-0206

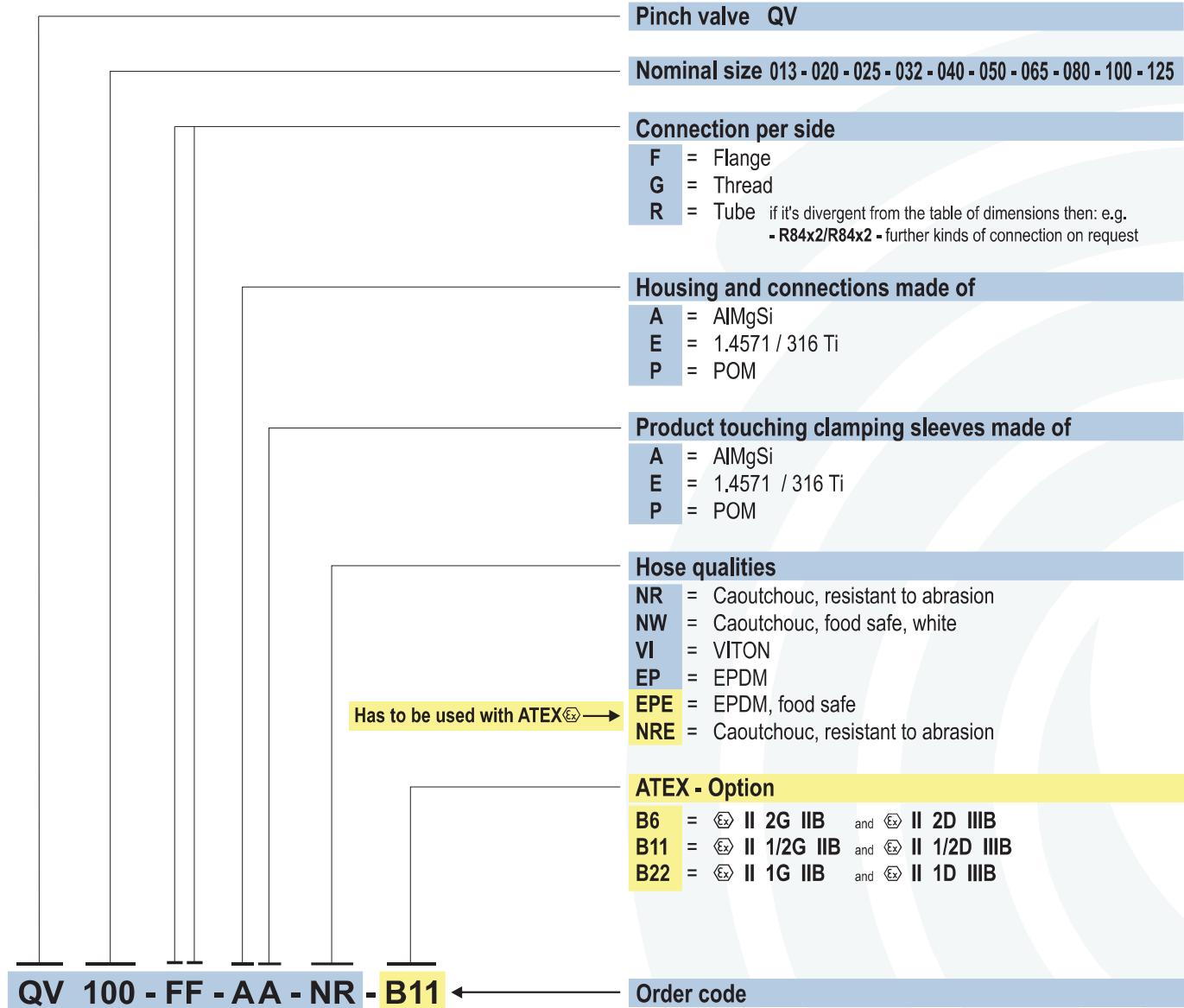
**-GR-** (thread-tube)



010-0207



## Type marking



## Temperature range

### Process temperature with hose made of

<b>NR</b>	max.	+80 °C wet
<b>NW</b>	max.	+70 °C wet
<b>VI</b>	max.	+100 °C wet
<b>EP</b>	max.	+120 °C wet
<b>NRE</b>	max.	+80 °C wet

**Ambient temperature** Ta -20 °C ... +70 °C

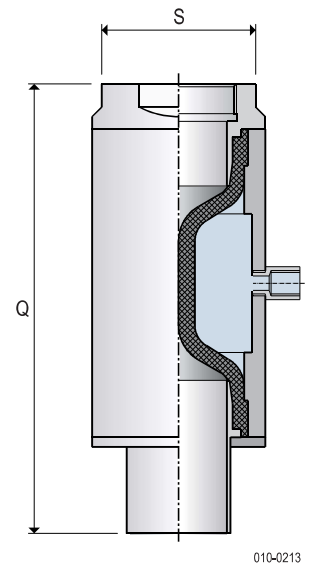
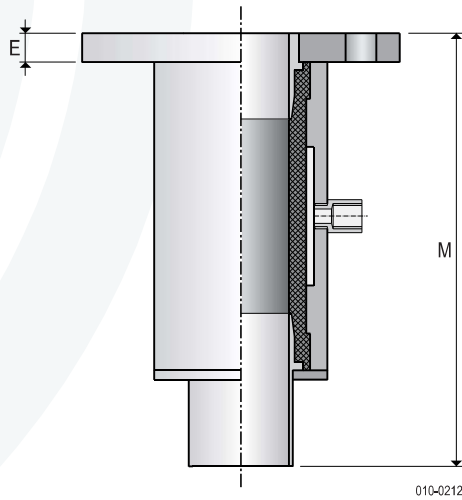
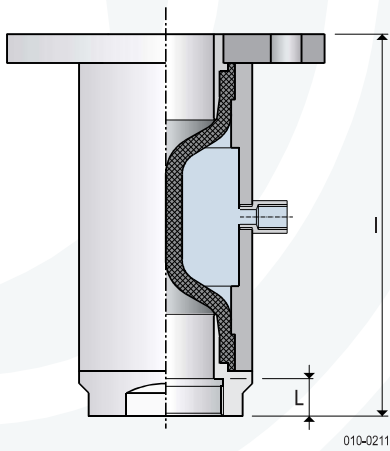
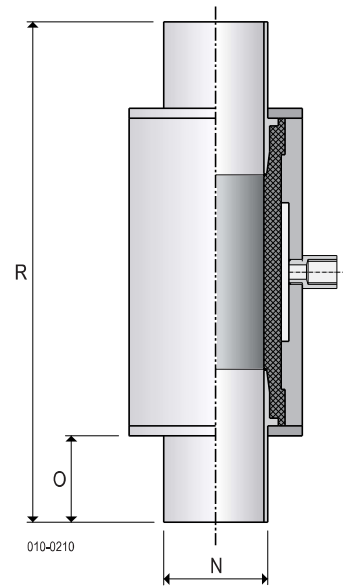
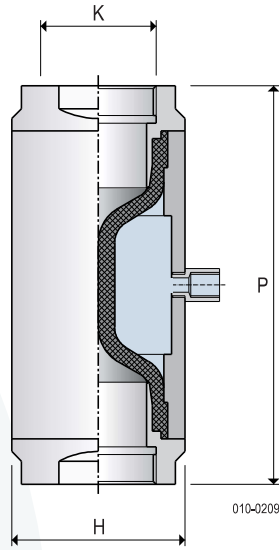
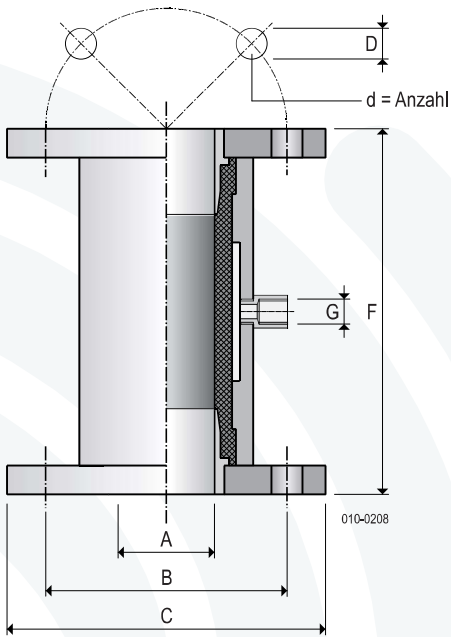
Further hose qualities on request

## Working data

<b>Process pressure</b>	maximum 4.0 bar, DN 13 and 20 up to 6.0 bar
<b>Control pressure</b>	2.5 bar over the process pressure
<b>Difference in pressure</b>	maximum 2.5 bar
<b>Mounting position</b>	any

Higher process pressures on request

### Dimensions



Typ	A	B	C	D	d	E	F	G	H	I	K	L	M	N	O	P	Q	R	S	NI
QV013	13							1/8	40		1/2	14				120			35	0.02
QV020	20							1/8	50		3/4	15				130			40	0.03
QV025	25							1/8	55		1	15				130			46	0.04
QV032	32							1/8	70		1 1/4	15				165			60	0.06
QV040	40	110	150	M16	4	12	178	1/8	80	188	1 1/2	18	216	40x1,5	45	197	226	254	70	0.12
QV050	50	125	165	M16	4	15	190	1/8	90	199	2	20	225	50x1,5	45	207	234	260	80	0.20
QV065	65	145	185	M16	4	15	225	1/4	110	233	2 1/2	20	280	65x2	65	240	288	335	100	0.40
QV080	80	160	200	M16	4	15	270	1/4	140	280	3	23	335	80x2	74	290	345	400	125	0.80
QV100	100	180	220	M16	8	15	310	1/4	160	320	4	23	396	100x2	93	330	406	482		1.45
QV125	125	210	250	M16	8	20	390	3/8	200	395	5	26	470	125x2	90	400	500	550		3.60

Volume of control chamber\*

\* Consumption per switching function in liter under normal conditions

---

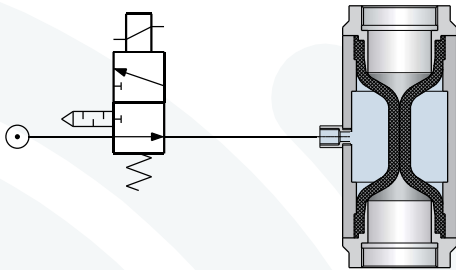
## Notes

---



**Examples of circuit diagrams**

**Pinch valve - normally closed**

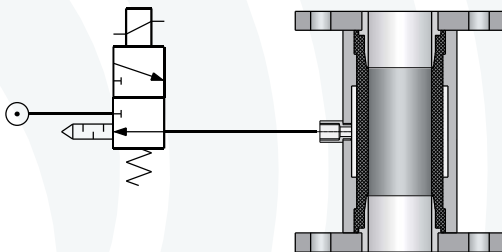


010-0214

3/2 - way solenoid valve — normally open

Pinch valve — normally closed

**Pinch valve - normally open**

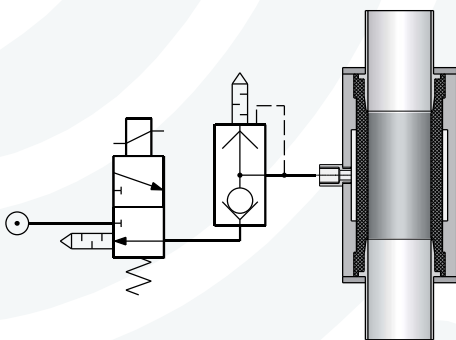


010-0215

3/2 - way solenoid valve — normally closed

Pinch valve — normally open

**Pinch valve - with quick air-exhaust valve**

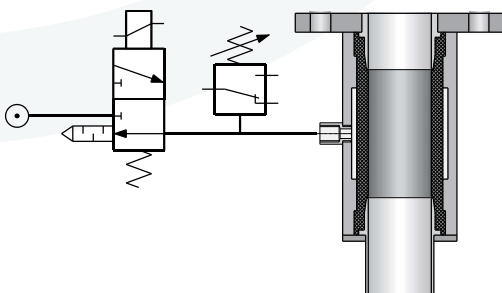


010-0216

3/2 - way solenoid valve

with quick air-exhaust valve (opens the QV very fast)

**Pinch valve - with compressed-air switch**



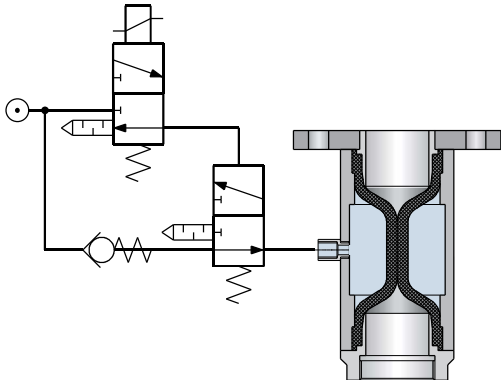
010-0217

3/2 - way solenoid valve

with compressed-air switch (signalises QV blocked or hose defect)

**Examples of circuit diagrams**

**Pinch valve - in case of voltage breakdown and/or compressed air failure**

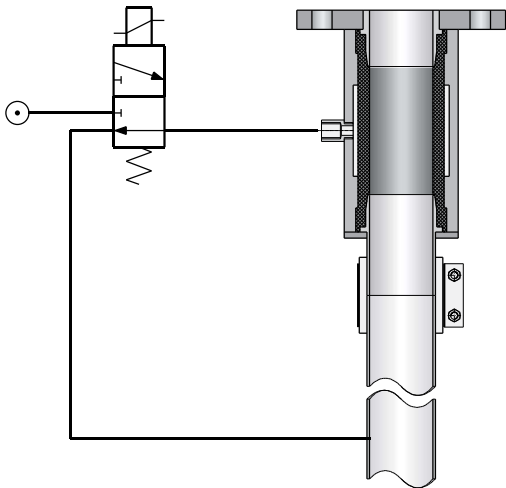


010-0218

One 3/2 way solenoid valve and one 3/2 - way valve

Pinch valve —————> keeps closed  
in case of voltage breakdown and/or compressed-air failure

**Pinch valve - valve for use vacuum**



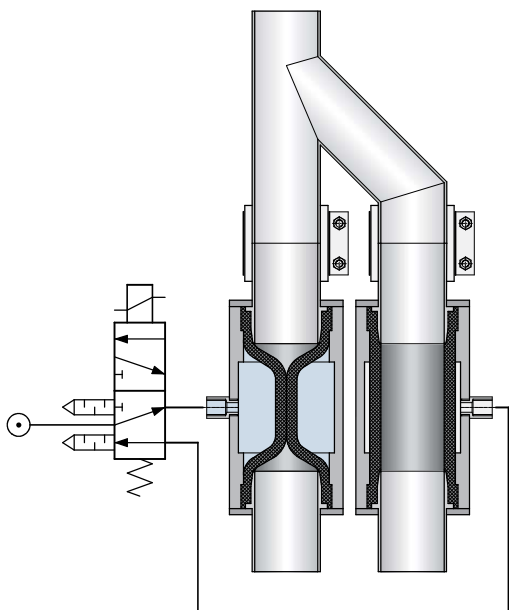
010-0219

3 Way solenoid valve

Valve for use in vacuum (vacuum conveying)

Connect vacuum to ventilation (R)

**Y-diverter valve**



010-0220

5/2 - way solenoid valve

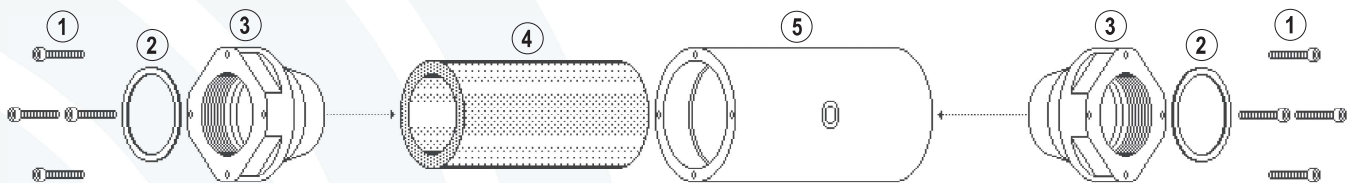
Pinch valve 1 —————> normally closed

Pinch valve 2 —————> normally open



**Pinch valves with nominal size 13 mm**

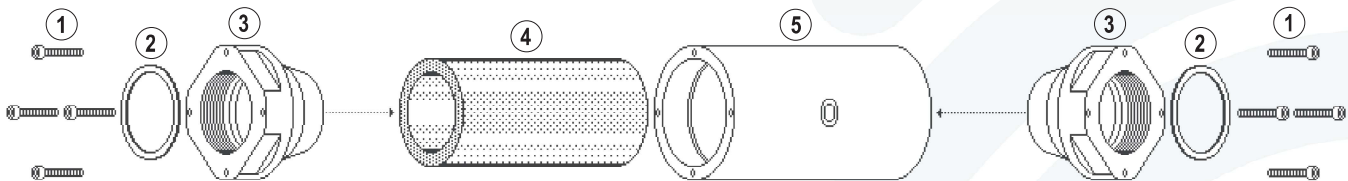
**QV013**



Item	Reference	Order code	Material
1	Pan head screw with hexagon socket	0912-04X020-STV	Steel, galvanized
2	Gasket	016-001-DIR-NBR	NBR, black
3	Thread clamping sleeve	QV-GS013-AL	Al Mg 3
	Thread clamping sleeve	QV-GS025-ES	Stainless steel 316 Ti
	Thread clamping sleeve	QV-GS025-P	POM
4	MOLLET-sinus-hose	QV-SM013-NR	Caoutchouc, resistant to abrasion
	MOLLET-sinus-hose	QV-SM013-NRE	Caoutchouc, resistant to abrasion, ATEX
	MOLLET-sinus-hose	QV-SM013-NW	Caoutchouc, food safe, white
	MOLLET-sinus-hose	QV-SM013-EP	EPDM
	MOLLET-sinus-hose	QV-SM013-VI	VITON
5	Housing	QV-GH013-AL	Al Mg Si 0,5
	Housing	QV-GH013-ES	Stainless steel 316 Ti
	Housing	QV-GH013-P	POM

**Pinch valves with nominal size 20 mm**

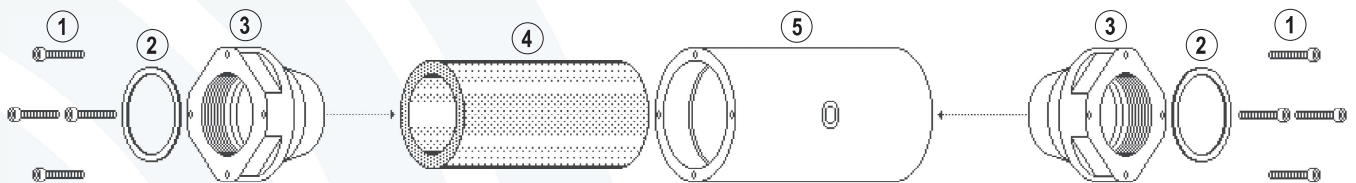
**QV 020**



Item	Reference	Order code	Material
1	Pan head screw with hexagon socket	0912-04X020-STV	Steel, galvanized
2	Gasket	020-002-DIR-NBR	NBR, black
3	Thread clamping sleeve	QV-GS020-AL	Al Mg 3
	Thread clamping sleeve	QV-GS025-ES	Stainless steel 316 Ti
	Thread clamping sleeve	QV-GS025-P	POM
4	MOLLET-sinus-hose	QV-SM020-NR	Caoutchouc, resistant to abrasion
	MOLLET-sinus-hose	QV-SM020-NRE	Caoutchouc, resistant to abrasion, ATEX
	MOLLET-sinus-hose	QV-SM020-NW	Caoutchouc, food safe, white
	MOLLET-sinus-hose	QV-SM020-EP	EPDM
	MOLLET-sinus-hose	QV-SM020-VI	VITON
5	Housing	QV-GH020-AL	Al Mg Si 0,5
	Housing	QV-GH020-ES	Stainless Steel 316 Ti
	Housing	QV-GH020-P	POM

**Pinch valves with nominal size 25 mm**

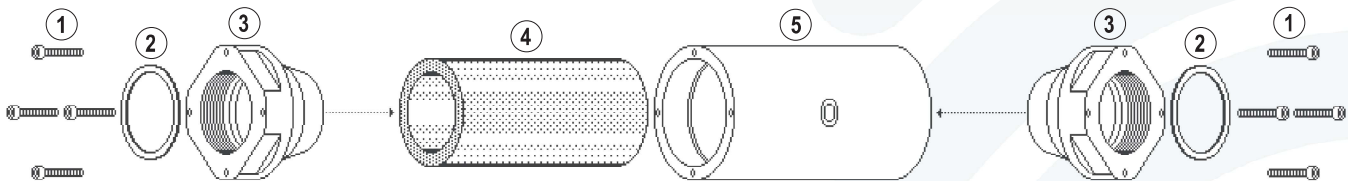
**QV 025**



Item	Reference	Order code	Material
1	Pan head screw with hexagon socket	0912-04X025-STV	Steel, galvanized
2	Gasket	025-002-DIR-NBR	NBR, white
3	Thread clamping sleeve	QV-GS025-AL	Al Mg 3
	Thread clamping sleeve	QV-GS025-ES	Stainless steel 316 Ti
	Thread clamping sleeve	QV-GS025-P	POM
4	MOLLET-sinus-hose	QV-SM025-NR	Caoutchouc, resistant to abrasion
	MOLLET-sinus-hose	QV-SM025-NRE	Caoutchouc, resistant to abrasion, ATEX
	MOLLET-sinus-hose	QV-SM025-NW	Caoutchouc, food safe, white
	MOLLET-sinus-hose	QV-SM025-EP	EPDM
	MOLLET-sinus-hose	QV-SM025-VI	VITON
5	Housing	QV-GH025-AL	Al Mg Si 0,5
	Housing	QV-GH025-ES	Stainless steel 316 Ti
	Housing	QV-GH025-P	POM

**Pinch valves with nominal size 32 mm**

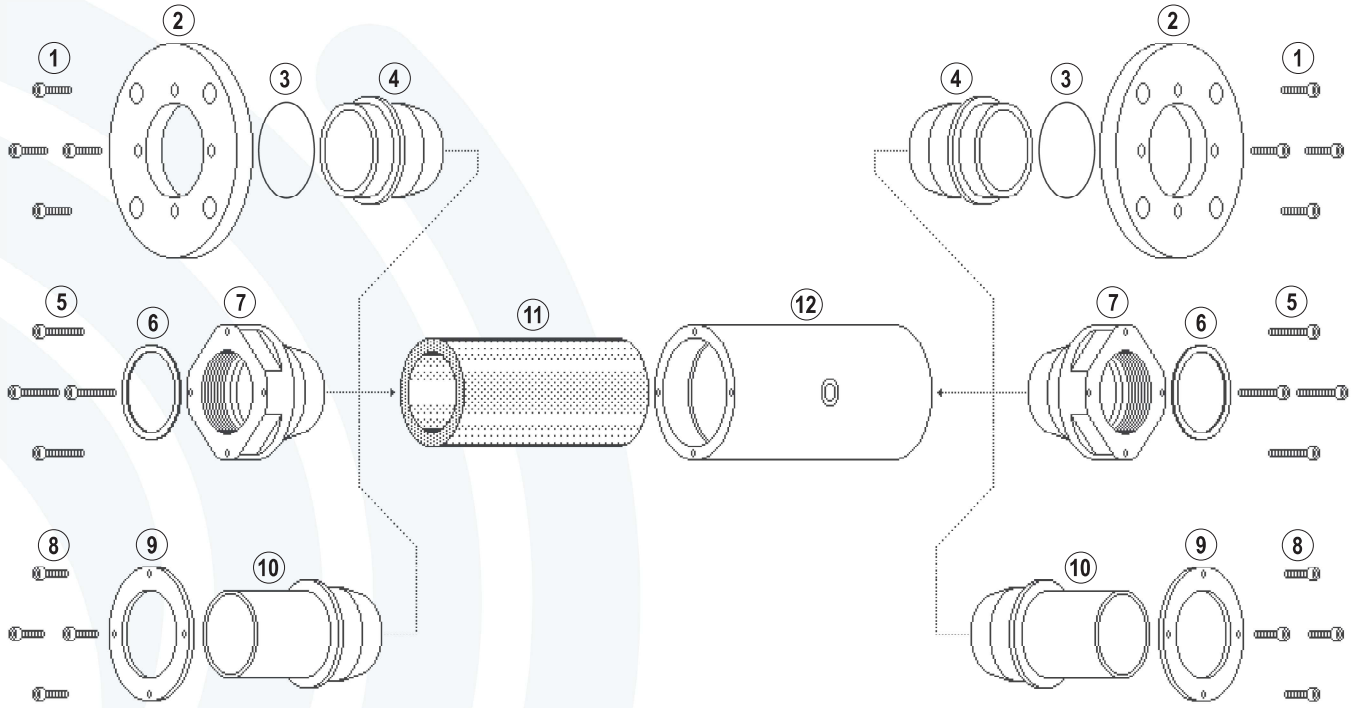
**QV 032**



Item	Reference	Order code	Material
1	Pan head screw with hexagon socket	0912-05X025-STV	Steel, galvanized
2	Gasket	032-003-DIR-NBR	NBR, white
3	Thread clamping sleeve	QV-GS032-AL	Al Mg 3
	Thread clamping sleeve	QV-GS032-ES	Stainless steel 316 Ti
	MOLLET-sinus-hose	QV-SM032-NR	Caoutchouc, resistant to abrasion
	MOLLET-sinus-hose	QV-SM032-NRE	Caoutchouc, resistant to abrasion, ATEX
	MOLLET-sinus-hose	QV-SM032-NW	Caoutchouc, food safe, white
4	MOLLET-sinus-hose	QV-SM032-EP	EPDM
	MOLLET-sinus-hose	QV-SM032-VI	VITON
	Housing	QV-GH032-AL	Al Mg Si 0,5
	Housing	QV-GH032-ES	Stainless steel 316 Ti

Pinch valves with nominal size 40 mm

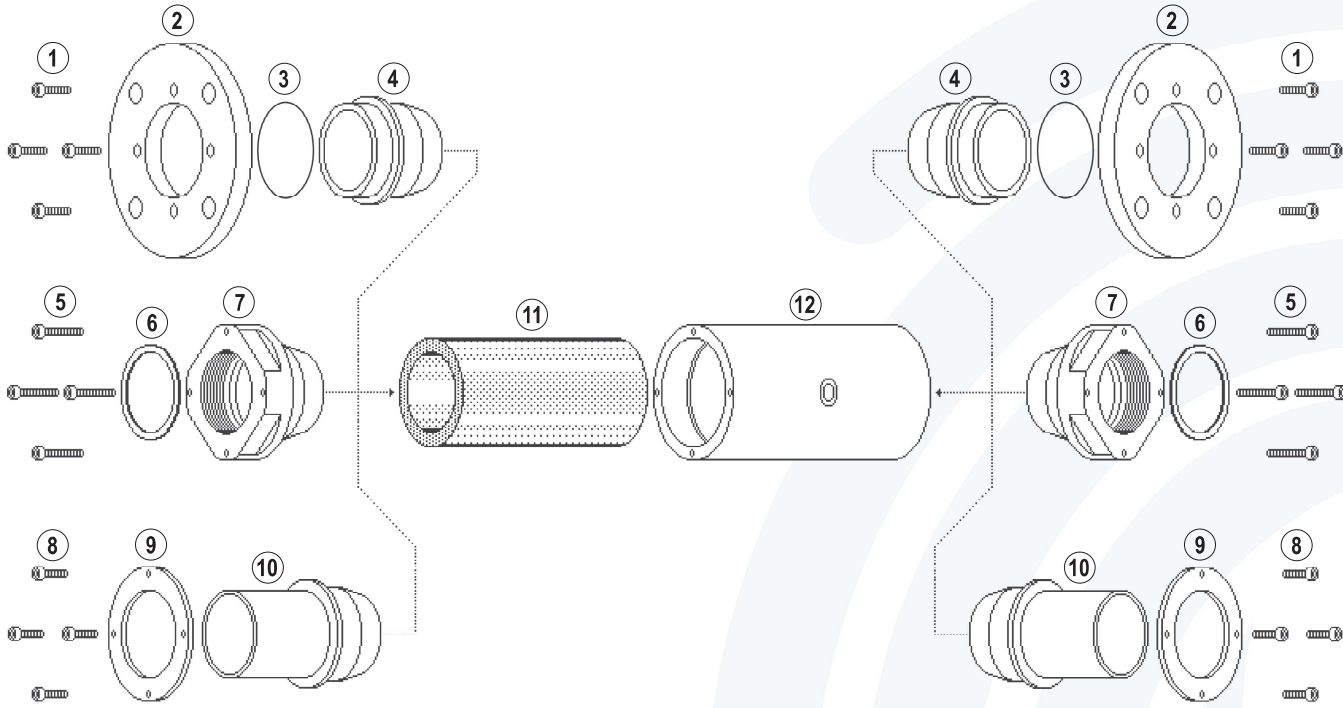
**QV 040**



Item	Reference	Order code	Material
1	Pan head screw with hexagon socket	0912-05X020-STV	Steel, galvanized
2	Flange	QV-FL040-AL	Al Mg Si 0,5
3	O-ring	042x002-ORI-NBR	NBR 70
4	Flange clamping sleeve	QV-FH040-AL	Al Mg 3
	Flange clamping sleeve	QV-FH040-ES	Stainless steel 316 Ti
5	Pan head screw with hexagon socket	0912-05X030-STV	Steel, galvanized
6	Gasket	038-003-DIR-NBR	NBR, white
7	Thread clamping sleeve	QV-GS040-AL	Al Mg 3
	Thread clamping sleeve	QV-GS040-ES	Stainless steel 316 Ti
8	Pan head screw with hexagon socket	0912-05X020-STV	Steel, galvanized
	Washer	0125-05-B00-STV	Steel, galvanized
9	Pipe flange	QV-RF040-AL	Al Mg Si 0,5
10	Pipe clamping sleeve	QV-RH040-AL	Al Mg 3
	Pipe clamping sleeve	QV-RH040-ES	Stainless steel 316 Ti
11	MOLLET-sinus-hose	QV-SM040-NR	Caoutchouc, resistant to abrasion
	MOLLET-sinus-hose	QV-SM040-NRE	Caoutchouc, resistant to abrasion, ATEX
	MOLLET-sinus-hose	QV-SM040-NW	Caoutchouc, food safe, white
	MOLLET-sinus-hose	QV-SM040-EP	EPDM
	MOLLET-sinus-hose	QV-SM040-VI	VITON
12	Housing	QV-GH040-AL	Al Mg Si 0,5
	Housing	QV-GH040-ES	Stainless steel 316 Ti

Pinch valves with nominal size 50 mm

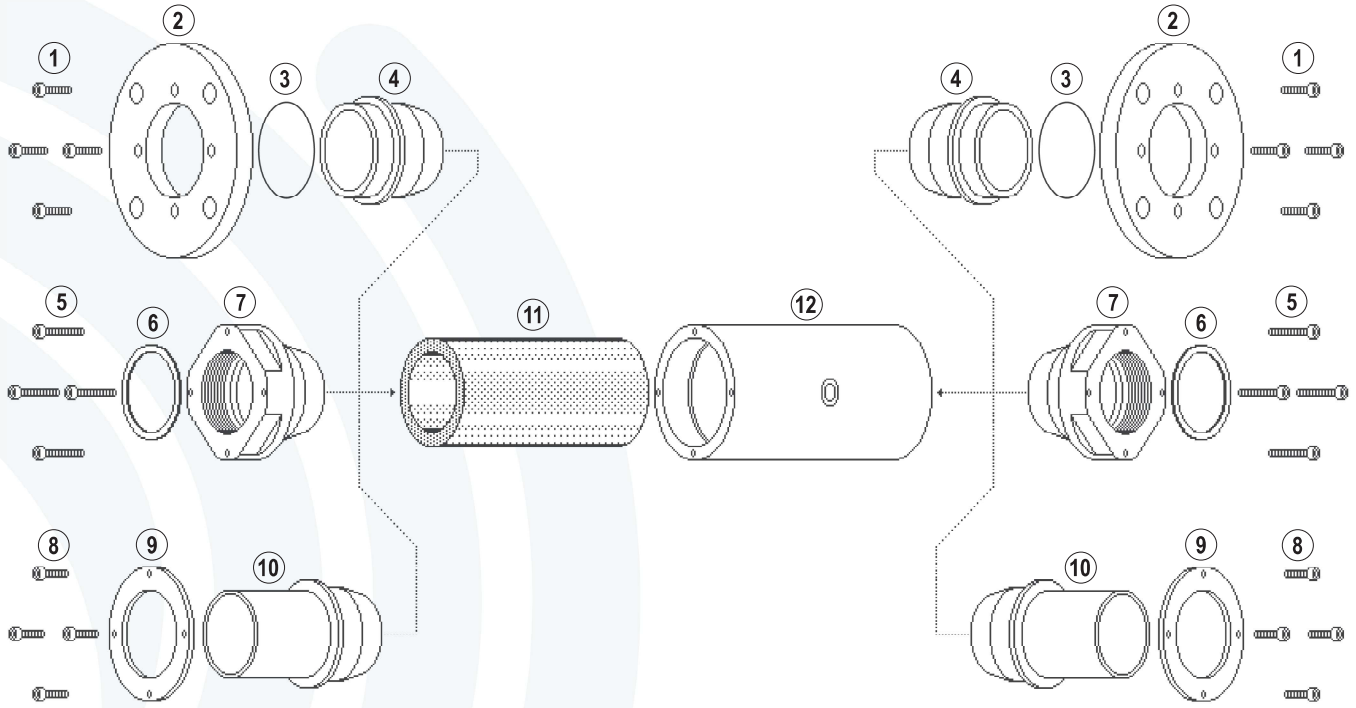
**QV 050**



Item	Reference	Order code	Material
1	Pan head screw with hexagon socket	0912-05X025-STV	Steel, galvanized
2	Flange	QV-FL050-AL	Al Mg Si 0,5
3	O-ring	060x002-ORI-NBR	NBR 70
4	Flange clamping sleeve	QV-FH050-AL	Al Mg 3
	Flange clamping sleeve	QV-FH050-ES	Stainless steel 316 Ti
5	Pan head screw with hexagon socket	0912-05X030-STV	Steel, galvanized
6	Gasket	048-003-DIR-NBR	NBR, white
7	Thread clamping sleeve	QV-GS050-AL	Al Mg 3
	Thread clamping sleeve	QV-GS050-ES	Stainless steel 316 Ti
8	Pan head screw with hexagon socket	0912-05X020-STV	Steel, galvanized
	Washer	0125-05-B00-STV	Steel, galvanized
9	Pipe flange	QV-RF050-AL	Al Mg Si 0,5
10	Pipe clamping sleeve	QV-RH050-AL	Al Mg 3
	Pipe clamping sleeve	QV-RH050-ES	Stainless steel 316 Ti
11	MOLLET-sinus-hose	QV-SM050-NR	Caoutchouc, resistant to abrasion
	MOLLET-sinus-hose	QV-SM050-NRE	Caoutchouc, resistant to abrasion, ATEX
	MOLLET-sinus-hose	QV-SM050-NW	Caoutchouc, food safe, white
	MOLLET-sinus-hose	QV-SM050-EP	EPDM
	MOLLET-sinus-hose	QV-SM050-EPE	EPDM, food safe, ATEX
	MOLLET-sinus-hose	QV-SM050VI	VITON
12	Housing	QV-GH050-AL	Al Mg Si 0,5
	Housing	QV-GH050-ES	Stainless steel 316 Ti

**Pinch valves with nominal size 65 mm**

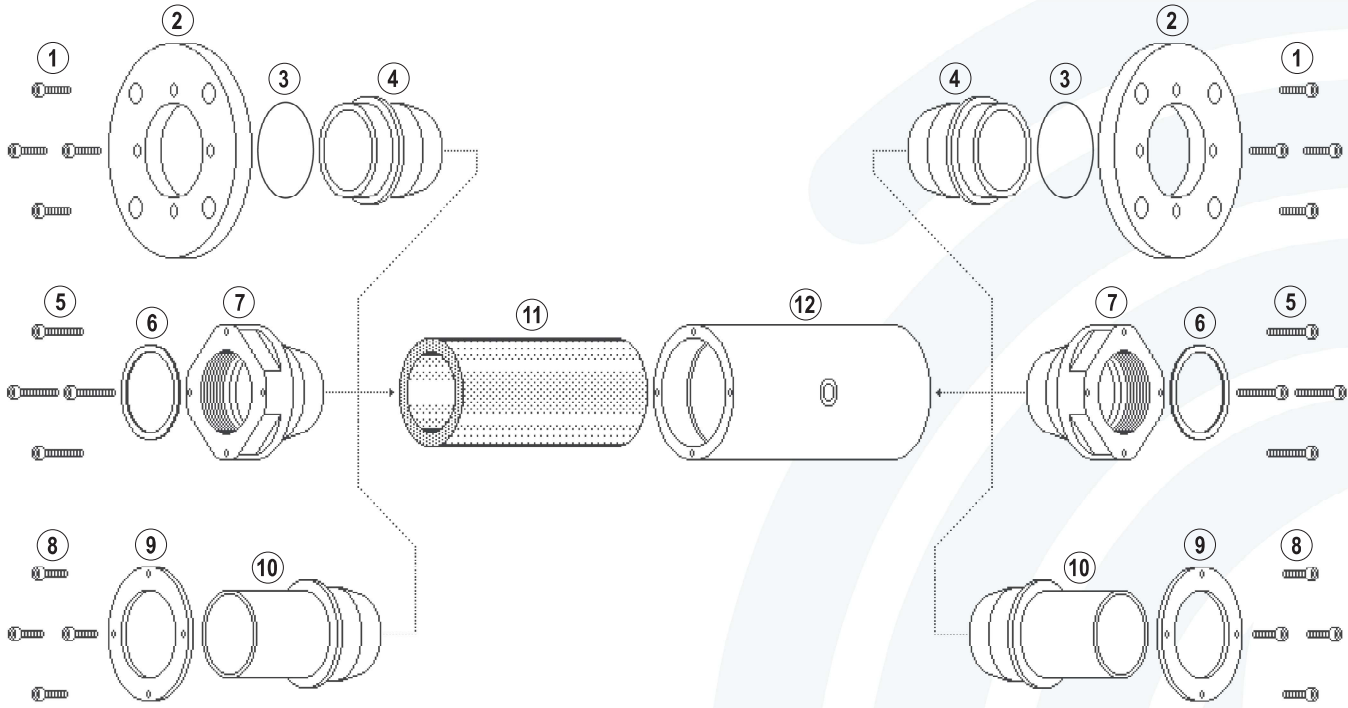
**QV 065**



Item	Reference	Order code	Material
1	Pan head screw with hexagon socket	0912-05X025-STV	Steel, galvanized
2	Flange	QV-FL065-AL	Al Mg Si 0,5
3	O-ring	064x002-ORI-FPM	FPM 70
4	Flange clamping sleeve	QV-FH065-AL	Al Mg 3
	Flange clamping sleeve	QV-FH065-ES	Stainless steel 316 Ti
5	Pan head screw with hexagon socket	0912-05X035-STV	Steel, galvanized
6	Gasket	066-003-DIR-NBR	NBR, white
7	Thread clamping sleeve	QV-GS065-AL	Al Mg 3
	Thread clamping sleeve	QV-GS065-ES	Stainless steel 316 Ti
8	Pan head screw with hexagon socket	0912-05X020-STV	Steel, galvanized
	Washer	0125-05-B00-STV	Steel, galvanized
9	Pipe flange	QV-RF065-AL	Al Mg Si 0,5
10	Pipe clamping sleeve	QV-RH065-AL	Al Mg 3
	Pipe clamping sleeve	QV-RH065-ES	Stainless steel 316 Ti
11	MOLLET-sinus-hose	QV-SM065-NR	Caoutchouc, resistant to abrasion
	MOLLET-sinus-hose	QV-SM065-NRE	Caoutchouc, resistant to abrasion, ATEX
	MOLLET-sinus-hose	QV-SM065-NW	Caoutchouc, food safe, white
	MOLLET-sinus-hose	QV-SM065-EP	EPDM
	MOLLET-sinus-hose	QV-SM065-EPE	EPDM, food safe, ATEX
	MOLLET-sinus-hose	QV-SM065-VI	VITON
12	Housing	QV-GH065-AL	Al Mg Si 0,5
	Housing	QV-GH065-ES	Stainless steel 316 Ti

Pinch valves with nominal size 80 mm

**QV 080**

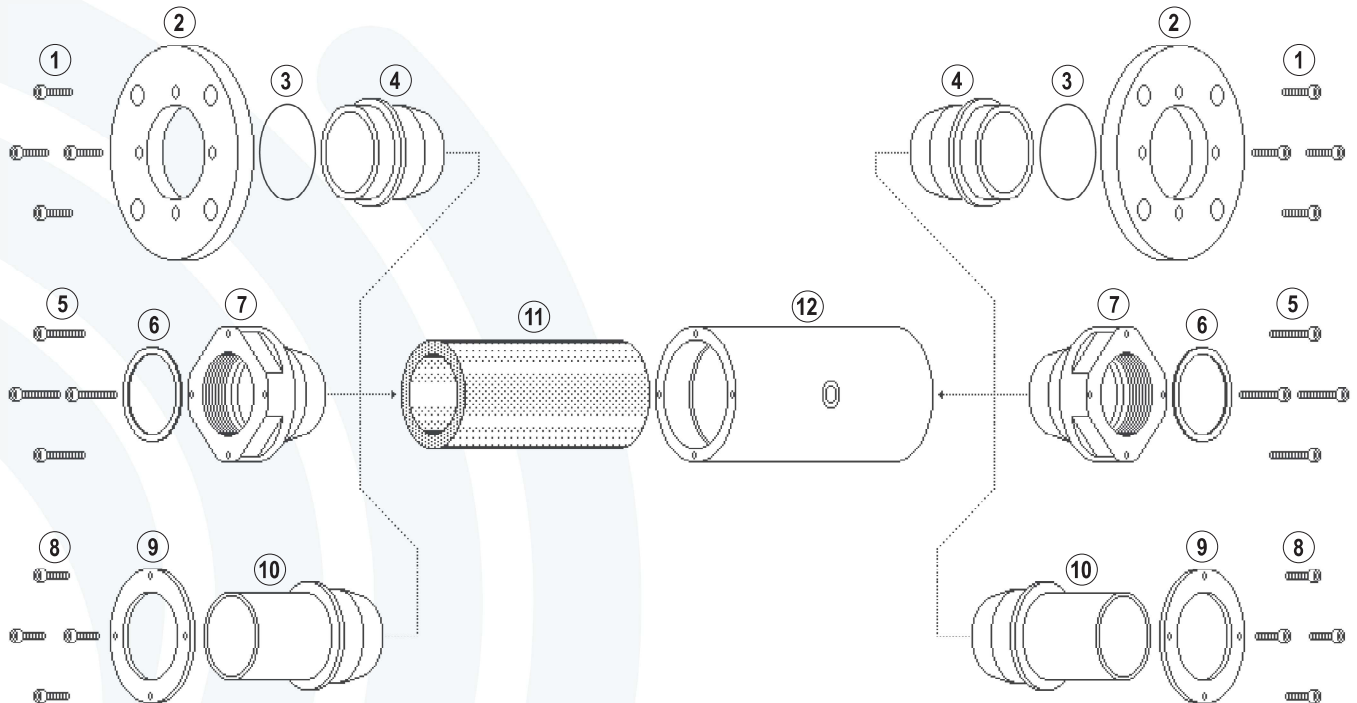


Item	Reference	Order code	Material
1	Pan head screw with hexagon socket	0912-06X025-STV	Steel, galvanized
2	Flange	QV-FL080-AL	Al Mg Si 0,5
3	O-ring	088x002-ORI-NBR	FPM 70
4	Flange clamping sleeve	QV-FH080-AL	Al Mg 3
	Flange clamping sleeve	QV-FH080-ES	Stainless steel 316 Ti
5	Pan head screw with hexagon socket	0912-06X030-STV	Steel, galvanized
6	Gasket	078-003-DIR-NBR	NBR, white
7	Thread clamping sleeve	QV-GS080-AL	Al Mg 3
	Thread clamping sleeve	QV-GS080-ES	Stainless steel 316 Ti
8	Pan head screw with hexagon socket	0912-06X025-STV	Steel, galvanized
	Washer	0125-06-B00-STV	Steel, galvanized
9	Pipe flange	QV-RF080-AL	Al Mg Si 0,5
10	Pipe clamping sleeve	QV-RH080-AL	Al Mg 3
	Pipe clamping sleeve	QV-RH080-ES	Stainless steel 316 Ti
11	MOLLET-sinus-hose	QV-SM080-NR	Caoutchouc, resistant to abrasion
	MOLLET-sinus-hose	QV-SM080-NRE	Caoutchouc ,resistant to abrasion, ATEX
	MOLLET-sinus-hose	QV-SM080-NW	Caoutchouc, food safe, white
	MOLLET-sinus-hose	QV-SM080-EP	EPDM
	MOLLET-sinus-hose	QV-SM080-EPE	EPDM, food safe, ATEX
	MOLLET-sinus-hose	QV-SM080-VI	VITON
12	Housing	QV-GH080-AL	Al Mg Si 0,5
	Housing	QV-GH080-ES	Stainless steel 316 Ti



**Pinch valves with nominal size 100 mm**

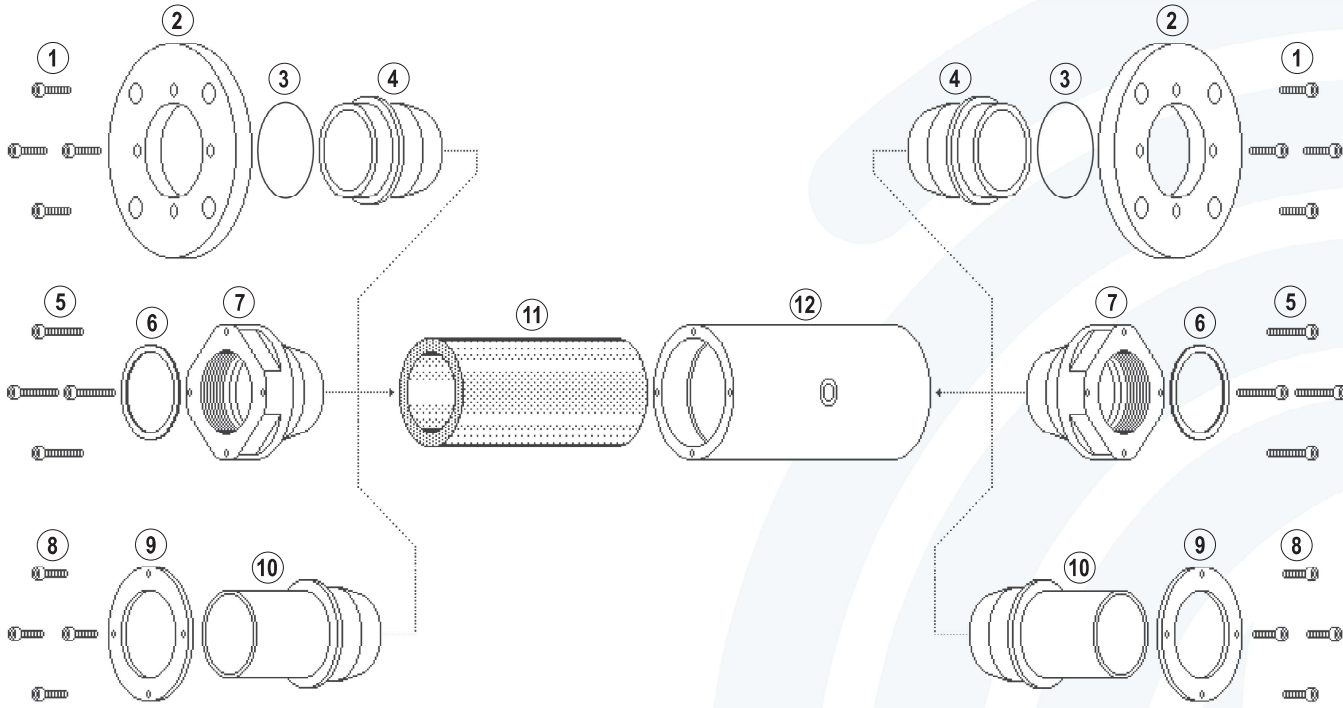
**QV 100**



Item	Reference	Order code	Material
1	Pan head screw with hexagon socket	0912-06X025-STV	Steel, galvanized
2	Flange	QV-FL100-AL	Al Mg Si 0,5
3	O-ring	115x002-ORI-NBR	NBR 70
4	Flange clamping sleeve	QV-FH100-AL	Al Mg 3
	Flange clamping sleeve	QV-FH100-ES	Stainless steel 316 Ti
5	Pan head screw with hexagon socket	0912-06X030-STV	Steel, galvanized
6	Gasket	100-003-DIR-NBR	NBR, white
7	Thread clamping sleeve	QV-GS100-AL	Al Mg 3
	Thread clamping sleeve	QV-GS100-ES	Stainless steel 316 Ti
8	Pan head screw with hexagon socket	0912-06X025-STV	Steel, galvanized
	Washer	0125-06-B00-STV	Steel, galvanized
9	Pipe flange	QV-RF100-AL	Al Mg Si 0,5
10	Pipe clamping sleeve	QV-RH100-AL	Al Mg 3
	Pipe clamping sleeve	QV-RH100-ES	Stainless steel 316 Ti
11	MOLLET-sinus-hose	QV-SM100-NR	Caoutchouc, resistant to abrasion
	MOLLET-sinus-hose	QV-SM100-NRE	Caoutchouc, resistant to abrasion, ATEX
	MOLLET-sinus-hose	QV-SM100-NW	Caoutchouc, food safe, white
	MOLLET-sinus-hose	QV-SM100-EP	EPDM
	MOLLET-sinus-hose	QV-SM100-EPE	EPDM, food safe, ATEX
	MOLLET-sinus-hose	QV-SM100-VI	VITON
12	Housing	QV-GH100-AL	Al Mg Si 0,5
	Housing	QV-GH100-ES	Stainless steel 316 Ti

Pinch valves with nominal size 125 mm

**QV125**



**Item Reference**

1	Pan head screw with hexagon socket
2	Flange
3	O-ring
4	Flange clamping sleeve
	Flange clamping sleeve
5	Pan head screw with hexagon socket
6	Gasket
7	Thread clamping sleeve
	Thread clamping sleeve
8	Pan head screw with hexagon socket
	Washer
9	Pipe flange
10	Pipe clamping sleeve
	Pipe clamping sleeve
11	MOLLET-sinus-hose
	MOLLET-sinus-hose
	MOLLET-sinus-hose
	MOLLET-sinus-hose
	MOLLET-sinus-hose
12	Housing
	Housing

**Order code**

0912-06X030-STV
QV-FL125-AL
115x002-ORI-NBR
QV-FH125-AL
QV-FH125-ES
0912-06X035-STV
125-003-DIR-NBR
QV-GS125-AL
QV-GS125-ES
0912-06X030-STV
0125-06-B00-STV
QV-RF125-AL
QV-RH125-AL
QV-RH125-ES
QV-SM125-NR
QV-SM125-NRE
QV-SM125-NW
QV-SM125-EP
QV-SM125-VI
QV-GH125-AL
QV-GH125-ES

**Material**

Steel, galvanized
Al Mg Si 0,5
NBR 70
Al Mg 3
Stainless steel 316 Ti
Steel, galvanized
NBR, white
Al Mg 3
Stainless steel 316 Ti
Steel, galvanized
Steel, galvanized
Al Mg Si 0,5
Al Mg 3
Stainless steel 316 Ti
Caoutchouc, resistant to abrasion
Caoutchouc, resistant to abrasion, ATEX
Caoutchouc, food safe, white
EPDM
VITON
Al Mg Si 0,5
Stainless steel 316 Ti

## Accessories

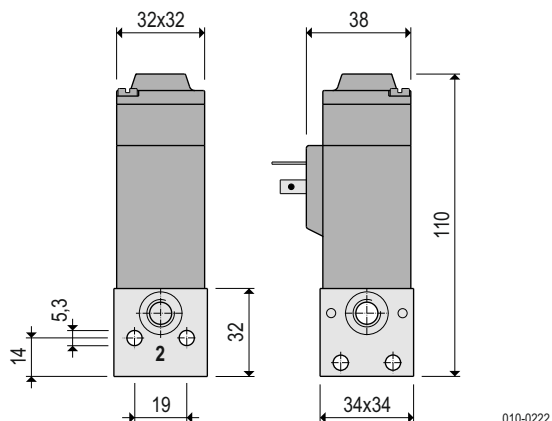
for pinch valves and silo filling devices

# QV / SFA

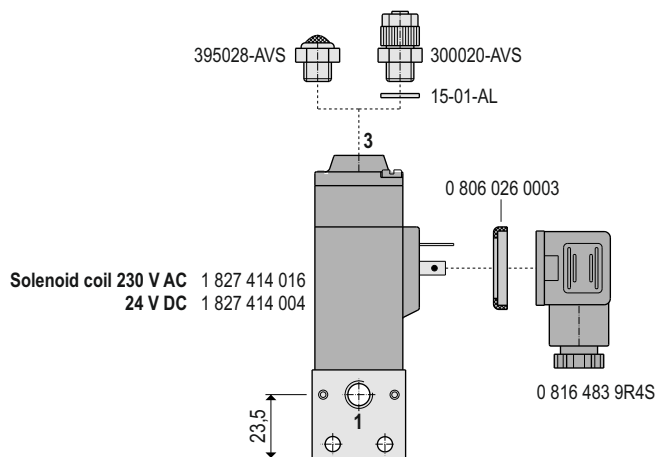
## Appliance information

Index	Page
3/2 way solenoid valve, normally closed .....	02
3/2 way solenoid valve, normally open .....	03
Quick air-exhaust valve   Compressed air switch .....	04

### Dimensions



### Components



### Technical data

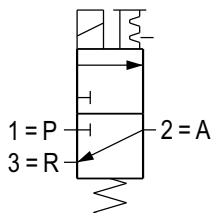
Construction type	Poppet valve, applicable for oil-free usage with manual override
Sealing	elastic soft rubber seal (VITON)
Solenoid coil	4 x 90° turnable
Socket connector	4 x 90° turnable
Connection thread	G 1/8
Mounting position	any
Ambient temperature	max. +50 °C
Medium temperature	max. +50 °C
Min. working pressure	0 bar
Nominal pressure	10 bar
Nominal flow	from 1 to 2 100 l/min from 2 to 3 120 l/min
Nominal size	1.8

### Electrical data

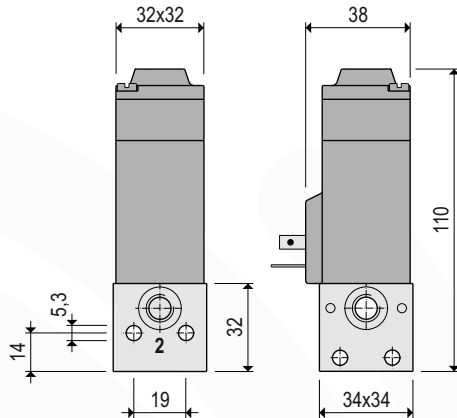
Power supply	230 V AC 24 V DC 24 V AC
Power consumption	with AC pick-up power 21 VA holding power 14 VA with DC 8 W
Cyclic duration factor	100 %
Type of protection	IP00 without socket connector in acc. to EN DIN 60529 IP65 with socket connector

Power supply	Order code solenoid valve
230 V AC	0 820 005 150
24 V DC	0 820 005 151
24 V AC	0 820 005 153

### Control scheme

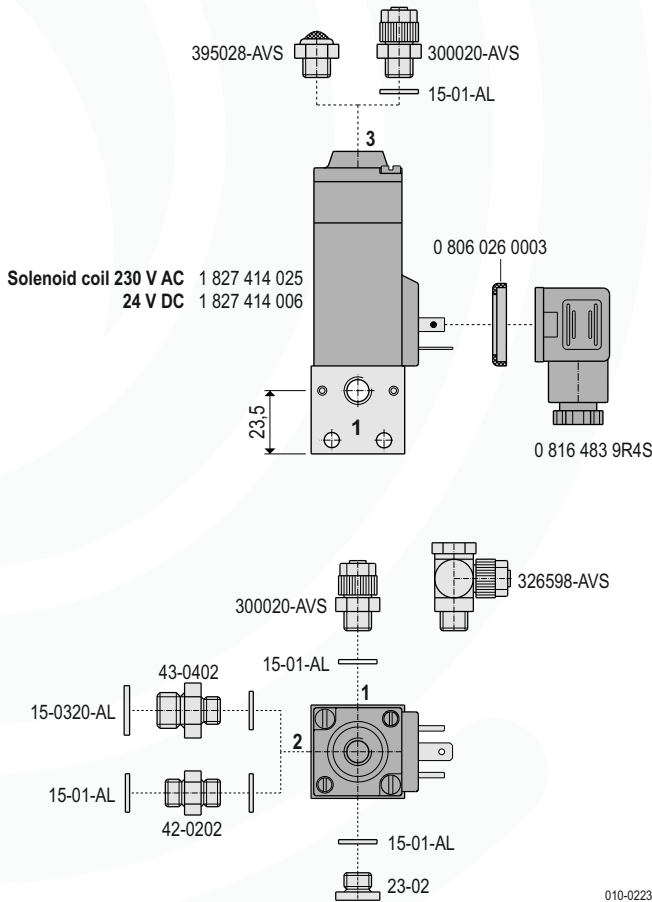


### Dimensions



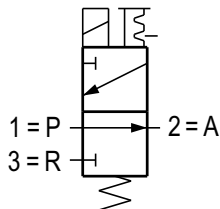
010-0224

### Components



010-0223

### Control scheme



010-AP01

### Technical data

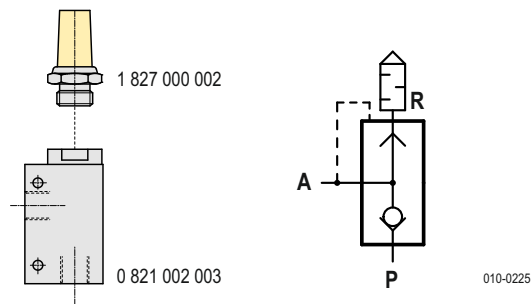
Construction type	Poppet valve, applicable for oil-free usage with manual override
Sealing	elastic soft rubber seal (VITON)
Solenoid coil	4 x 90° turnable
Socket connector	4 x 90° turnable
Connection thread	G 1/8
Mounting position	any
Ambient temperature	max. +50 °C
Medium temperature	max. +50 °C
Min. working pressure	0 bar
Nominal pressure	10 bar
Nominal flow	from 1 to 2 100 l/min from 2 to 3 120 l/min
Nominal size	1.8

### Electrical data

Power supply	230 V AC 24 V DC 24 V AC
Power consumption	with AC pick-up power 21 VA holding power 14 VA with DC 8 W
Cyclic duration factor	100 %
Type of protection	IP00 without socket connector in acc. to EN DIN 60529 IP65 with socket connector

Power supply	Order code solenoid valve
230 V AC	0 820 005 250
24 V DC	0 820 005 251
24 V AC	0 820 005 253

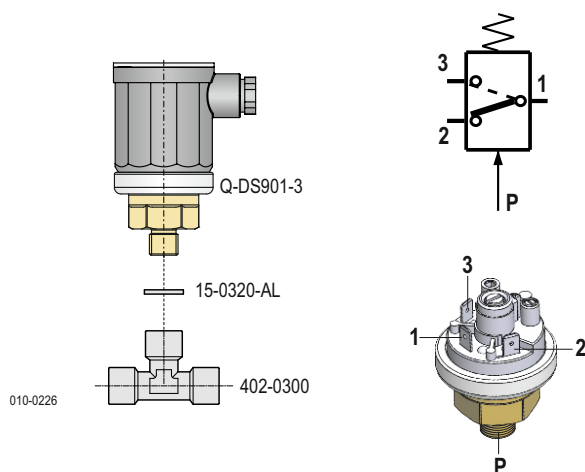
## Quick air-exhaust valve



<b>Construction type</b>	Poppet valve, applicable for oil-free usage
<b>Sealing</b>	elastic soft rubber seal (NBR)
<b>Connection thread</b>	A und P = G 1/4, R = 3/8
<b>Mounting position</b>	any
<b>Ambient temperature</b>	max. +40 °C
<b>Control medium temperature</b>	max. +40 °
<b>Min. working pressure</b>	0.5 bar
<b>Nominal pressure</b>	10 bar
<b>Nominal flow</b>	from P to A <b>1000 l/min</b> from A to R <b>2050 l/min</b>
<b>Nominal size</b>	6
<b>Silencer</b>	G 3/8

Order code **0 821 002 003**

## Compressed air switch



<b>Materials</b>	Housing	PA/PC
	Connection thread	Brass
	Membrane	NBR
<b>Connection thread</b>		G 1/4
<b>Mounting position</b>		any
<b>Ambient temperature</b>		-20 °C ... +85 °C
<b>Medium temperature</b>		max. +85 °C
<b>Max. working pressure</b>		10 bar
<b>Works setting</b>		3.0 bar
<b>Capacity of the contact</b>		6 A / 250 V AC
<b>Signal contact</b>		change-over contact
<b>Cable entry</b>		M16x1.5
<b>Electrical connection</b>		AMP plug pins 6.35
<b>Type of protection</b>		<b>IP65</b> according to DIN EN 60529

Order code **Q-DS901-3**

## ATEX option

**B0** Dust **Ex** II 3D Ex tc IIIB T 135 °C Dc

## Quick air-exhaust valve and compressed air switch as a complete assembly

