

## Level measurement

Guided wave radar **MOLOS<sub>wave</sub>** **1**

Yo-Yo sensing systems **MOLOS<sub>bob</sub>** **2**

Visualization **MOLOS<sub>visu</sub>** **3**

Rotation **MOLOS<sub>roto</sub>** **4**

Membrane **MOLOS<sub>membran</sub>** **5**

## Level indicator

Vibration **MOLOS<sub>vibro</sub>** **6**

Microwave barrier **MOLOS<sub>barrier</sub>** **7**

Pendulum **MOLOS<sub>pendu</sub>** **8**

Coding **MOLOS<sub>code</sub>** **9**

## Hose couplings

Limit switch **MOLOS<sub>switch</sub>** **10**

Swivelling lever **MOLOS<sub>swing</sub>** **11**

Lockable couplings **MOLOS<sub>lock</sub>** **12**

Overload protection **MOLOS<sub>safe</sub>** **13**

Silo filling device **MOLOS<sub>safe</sub>** **14**

## Bulk solids handling

Pressure device **MOLOS<sub>pressdec</sub>** **15**

Microwave flow sensor **MOLOS<sub>flow</sub>** **16**

Pinch valves **MOLOS<sub>valve</sub>** **17**

**MOLOS**  
safe

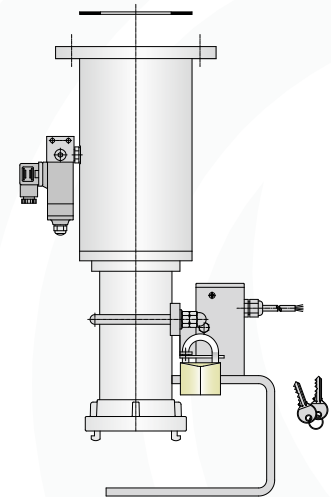


Filling valve

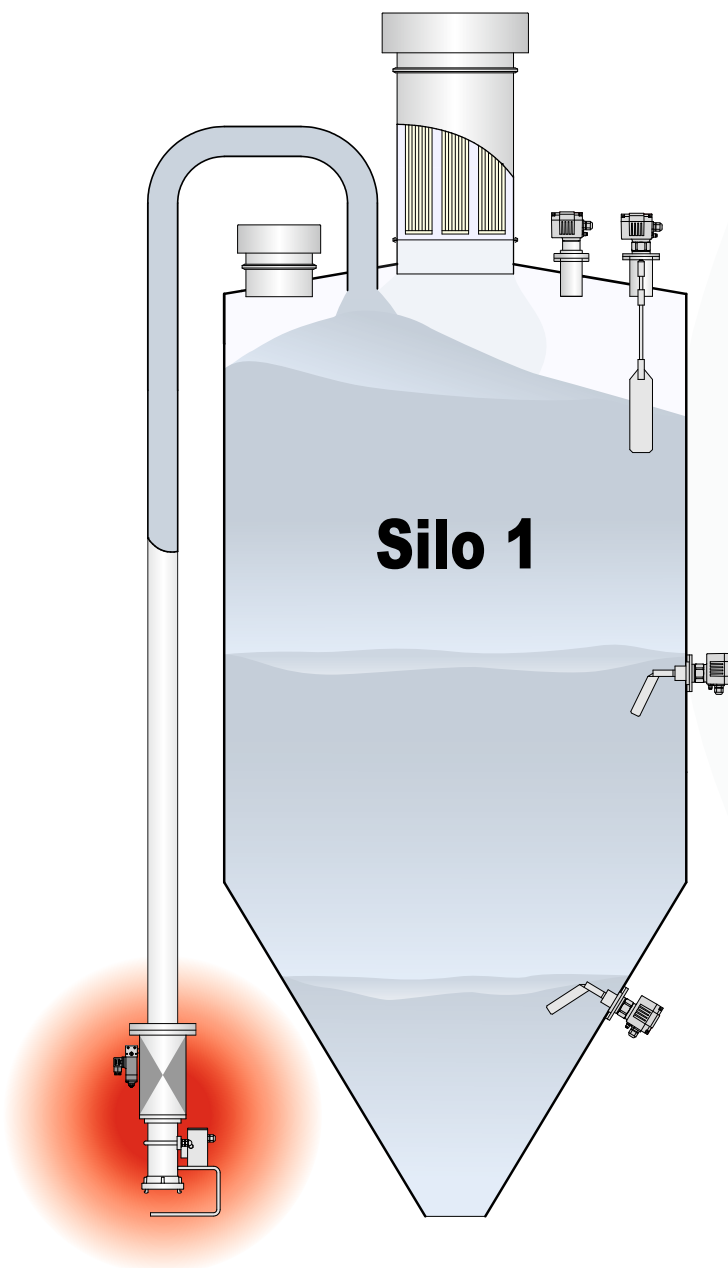
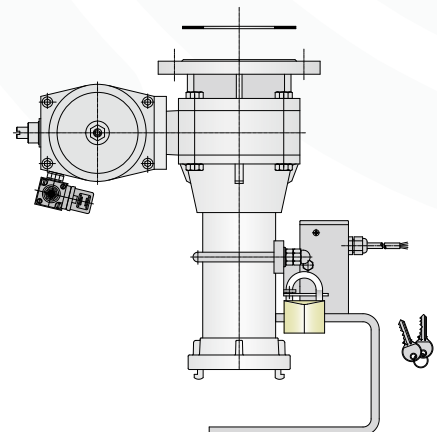
### Advantages of inexpensive standard devices

- Optimized for applications with building materials, minerals etc.
- Shut-off of the filling line in case of full indication or over-pressure
- Filling process only released by electrical control
- Robust swivelling lever switch recognizes hose connection
- Easiest installation

### Silo filling device with pinch valve



### Silo filling device with ball valve



Standard devices  
for building materials

## Selection list

### SFA...-Q with pinch valve

Silo filling device at filling pipe complete with pinch valve, solenoid valve, Storz coupling, swivelling lever with limit switch

Product touching parts:

- valve parts made of aluminum
- protection tube made of steel galvanized
- couplings made of aluminum

#### Silo filling device DN65

Standard device for building materials, minerals, etc.

3/2 way control valve for the pinch valve

- 1 normally open, 230 V AC (filling device normally closed) .....
- 2 normally open, 24 V DC (filling device normally closed) .....

SFA065 - Q - BS -  ← Order code

#### Silo filling device DN65

Standard device for building materials, minerals, etc.

3/2 way control valve for the pinch valve

- 1 normally open, 230 V AC (filling device normally closed) .....
- 2 normally open, 24 V DC (filling device normally closed) .....

SFA080 - Q - BS -  ← Order code

#### Silo filling device DN100

Standard device for building materials, minerals, etc.

3/2 way control valve for the pinch valve

- 1 normally open, 230 V AC (filling device normally closed) .....
- 2 normally open, 24 V DC (filling device normally closed) .....

SFA100 - Q - BS -  ← Order code

### SFA...-K with ball valve

Silo filling device at filling pipe complete with ball valve, solenoid valve, Storz coupling, swivelling lever with limit switch

Product touching parts:

- valve parts made of aluminum
- ball made of stainless steel
- protection tube made of steel galvanized
- couplings made of aluminum

#### Silo filling device DN80

Standard device for building materials, minerals, etc.

3/2 way control valve for the ball valve

- 1 normally closed, 230 V AC (filling device normally closed) .....
- 2 normally closed, 24 V DC (filling device normally closed) .....

SFA080 - K - BS -  ← Order code

#### Silo filling device DN100

Standard device for building materials, minerals, etc.

3/2 way control valve for the ball valve

- 1 normally closed, 230 V AC (filling device normally closed) .....
- 2 normally closed, 24 V DC (filling device normally closed) .....

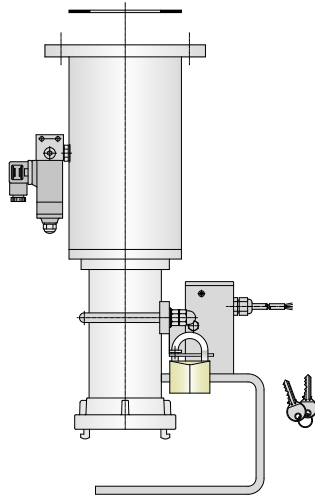
SFA100 - K - BS -  ← Order code



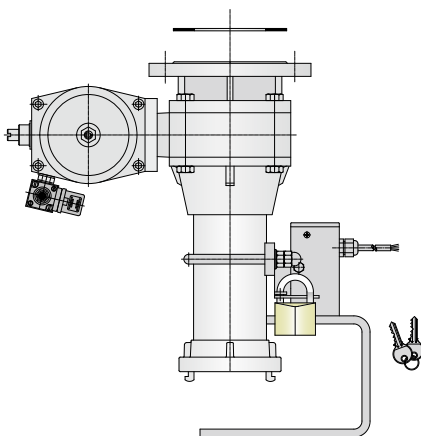
**Advantages of silo filling device for versatile application**

- Optimally adaptable to any application
- Ideally suited for the food and animal feed industry
- Applicable in potentially explosive atmospheres (ATEX)
- Shut-off of the filling line in case of full indication or over-pressure
- Filling process only released by electrical control

**Silo filling device SFA ... Q**



**Silo filling device SFA ... K**



Beachten Sie bei der Anwendung von brennbaren Stäuben und Gasen:



All product touching parts (pinch valve clamping sleeves, protection tube, hose connection couplings) have to be made of stainless-steel if  
 a) rust-containing particles (like rust film) are existent in the conveying medium and a gaseous explosive atmosphere is conveyed.  
 b) combustible dusts with a minimum ignition energy less than 3 mJ or with a minimum ignition temperature below +300 °C are conveyed.







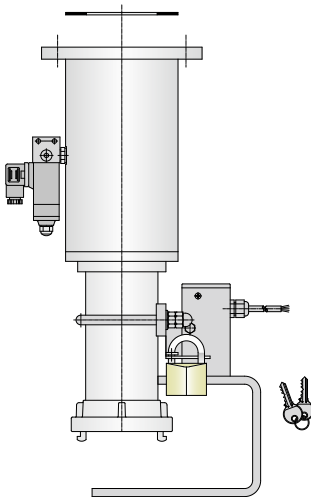
## Selection list

# SFA125Q

## Silo filling device with pinch valve DN125

Pinch valve accessories: Quick air-exhaust valve  
Pinch valve opens faster

Compressed air switch  
for position indication or for a signal "hose defective"



### ATTENTION for ATEX options

- Observe the safety information on page 4
- Only with pinch valve closing hose NRE or EPE
- Only with 3/2-way control valve 443

B3 **Dust** II 1/3D III B

B11 **Gas+Dust** II 1/2G IIB and II 1/2D III B

B11 additionally only with SN or KN

## Basic device

### Choice of options

#### Filling pipe connection at silo or tank

FG Flange Ø250 x 20, LK210, 4 x M16 .....

#### Pinch valve housing and filling pipe connection at silo or tank made of material

A Aluminum AlMgSi1 .....

E Stainless steel 1.4571 / 316 Ti ..... on request

#### Pinch valve clamping sleeves (product touching) made of material

A Aluminum AlMgSi1 (not available with option NRE or EPE) .....

E Stainless steel 1.4571 / 316 Ti .....

#### Pinch valve closing hose made of material

NR Caoutchouc, resistant to abrasion .....

NRE Caoutchouc, resistant to abrasion for ATEX option B3 or B11 .....

NW Caoutchouc, food safe, white .....

EP EPDM food safe .....

EPE EPDM food safe for ATEX option B3 or B11 .....

VI VITON .....

#### 3/2 way control valve for the pinch valve

000 without control valve (to be provided by the customer) .....

250 normally open, 230 V AC (filling device normally closed) .....

251 normally open, 24 V DC (filling device normally closed) .....

253 normally open, 24 V AC (filling device normally closed) .....

150 normally closed, 230 V AC (filling device normally open) .....

151 normally closed, 24 V DC (filling device normally open) .....

153 normally closed, 24 V AC (filling device normally open) .....

443 normally closed, 24 V DC for ATEX option B11..... on request

#### Protection tube made of material

RS Galvanized steel .....

RE Stainless steel 1.4571 / 316 Ti .....

#### Hose connection couplings system and made of material

SZAL Storz, aluminum .....

SZVA Storz, stainless steel 1.4581 .....

#### Switch contact (signals filling hose coupled)

SE Swivelling lever, mechanical switch .....

SI Swivelling lever, inductive switch .....

SN Swivelling lever, NAMUR switch .....

KE Mechanical switch on coupling\* .....

KI Inductive switch on coupling\* .....

KN NAMUR switch on coupling\* .....

#### Cable length (only selectable for NAMUR limit switches)

Standard (2, 5 or 10 m depending on switch type)

5 5 m cable .....

0 10 m cable .....

#### Certifications, certificates, approvals

Standard = CE conform .....

B3 ATEX II 1/3D III B .....

B11 ATEX II 1/2G IIB and ATEX II 1/2D III B .....

SFA125Q Order code

\* not available for Camlock or Guillemin couplings

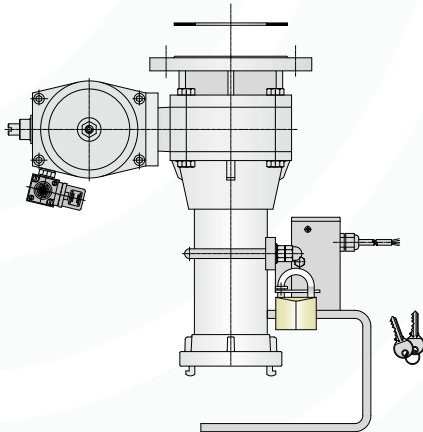


## Selection list

# SFA080K

## Silo filling device with ball valve DN80

Ball valve	Housing	Aluminum
	Ball	Stainless steel
	Seal rings	PTFE / VITON
	Accessories	Quick air-exhaust valve for faster closing of the ball valve
Actuator		single acting Ball valve closes in case of power and/or compressed air failure



ATEX option

B7

Dust  II 2/3D IIIB

## Basic device

### Choice of options

#### Filling pipe connection at silo or tank

FG Flange Ø200 x 20, LK160, 8 x Ø18 .....

#### Position switch for position indication „open/closed“

O without position switch .....

P Double position feedback for ball valve „open“ „closed“ .....

#### 3/2 way control valve for the pinch valve

000 without control valve (to be provided by the customer) .....

150 normally closed, 230 V AC (filling device normally open) .....

151 normally closed, 24 V DC (filling device normally open) .....

153 normally closed, 24 V AC (filling device normally open) .....

#### Protection tube made of material

RS Galvanized steel .....

RE Stainless steel 1.4571 / 316 Ti .....

#### Hose connection couplings system and made of material

SZAL Storz, aluminum .....

SZVA Storz, stainless steel 1.4581 .....

TWMS Road tanker couplings, brass .....

TWVA Road tanker, stainless steel 1.4408 .....

AKVA Camlock, stainless steel 1.4408 .....

GUAL Guillemin, aluminum .....

#### Switch contact\* (signals filling hose coupled)

SE Swivelling lever, mechanical switch .....


SI Swivelling lever, inductive switch .....

KE Mechanical switch on coupling\*\* .....

KI Inductive switch on coupling\*\* .....

#### Certifications, certificates, approvals

Standard = C€ conform .....

B7 ATEX  II 2/3D IIIB .....

SFA080K - - - - - ← Order code

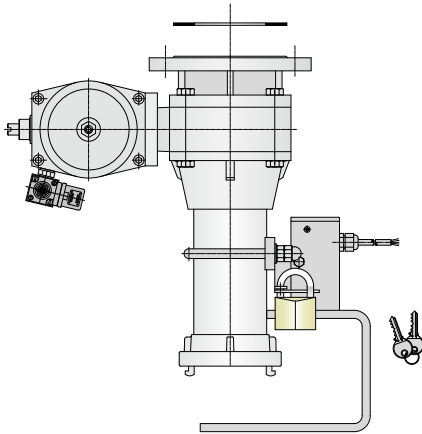
\* Cable length 2, 5 or 10 m depending on switch type  
\*\* not available for Camlock or Guillemin couplings

## Selection list

# SFA100K

## Silo filling device with ball valve DN100

<b>Ball valve</b>	<b>Housing</b>	Aluminum
	<b>Ball</b>	Stainless steel
	<b>Seal rings</b>	PTFE / VITON
	<b>Accessories</b>	Quick air-exhaust valve for faster closing of the ball valve
<b>Actuator</b>		single acting Ball valve closes in case of power and/or compressed air failure



ATEX option

B7 **Dust**  II 2/3D IIIB

## Basic device

### Choice of options

#### Filling pipe connection at silo or tank

**FG** Flange Ø220 x 20, LK180, 8 x Ø18 .....

#### Position switch for position indication „open/closed“

**O** without position switch .....

**P** Double position feedback for ball valve „open“ „closed“ .....

#### 3/2 way control valve for the pinch valve

**000** without control valve (to be provided by the customer) .....

**150** normally closed, 230 V AC (filling device normally open) .....

**151** normally closed, 24 V DC (filling device normally open) .....

**153** normally closed, 24 V AC (filling device normally open) .....

#### Protection tube made of materia

**RS** Galvanized steel .....

**RE** Stainless steel 1.4571 / 316 Ti .....

#### Hose connection couplings system and made of material

**SZAL** Storz, aluminum .....

**SZAV** Storz, aluminum/stainless steel 1.4571 .....

**SZVA** Storz, stainless steel 1.4581 .....

**TWMS** Road tanker couplings, brass .....

**TWVA** Road tanker, stainless steel 1.4408 .....

**AKVA** Camlock, stainless steel 1.4408 .....

**GUAL** Guillemin, aluminum .....

#### Switch contact\* (signals filling hose coupled)

**SE** Swivelling lever, mechanical switch .....

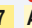
**SI** Swivelling lever, inductive switch .....

**KE** Mechanical switch on coupling\*\* .....

**KI** Inductive switch on coupling\*\* .....

#### Certifications, certificates, approvals

**Standard** = CE conform .....

**B7** ATEX  II 2/3D IIIB .....

SFA100K - - - - - **B7** ← Order code

\* Cable length 2, 5 or 10 m depending on switch type  
\*\* not available for Camlock or Guillemin couplings

## Selection list

# SFA

## Accessories

### more accessories

for the complete and autonomous silo overload protection you will find in **MOLOSsafe**.

### additional accessories

for couplings you will find in **MOLOSswitch** and **MOLOSlock**  
e.g. also the recognition of a dry air or inert gas connection

#### Choice of accessories

##### Quick air-exhaust valve ¼ (incl. silencer)

**0 821 002 003.A** Air-exhaust valve installed at SFA .....

##### Compressed air switch

**Q-DS901-3.A** Compressed air switch installed at SFA .....

##### Padlock (with 2 keys)

**KS-VS025-G** for the swiveling lever, keyed alike .....

**KS-VS025-U** for the swiveling lever, keyed different .....

**KS-VS080-G** for Storz couplings, keyed alike .....

**KS-VS080-U** for Storz couplings, keyed different .....

##### Blank cap with chain for Storz couplings (sealing cap) for the design with swiveling lever limit switch and Storz couplings

**K-BSZ075AL** made of aluminum for SFA065 and SFA080 .....

**K-BSZ075VA** made of stainless steel for SFA065 and SFA080 .....

**K-BSZ110AL** made of aluminum for SFA100 .....

**K-BSZ110VA** made of stainless steel for SFA100 .....

**K-BSZ125AL** made of aluminum for SFA125 .....

##### Blank cap with chain for Storz couplings (sealing cap) for the design with Storz couplings and built-in limit switch without swiveling lever

**K-BSZ075AL-M2** made of aluminum for SFA065 and SFA080 .....

**K-BSZ110AL-M2** made of aluminum for SFA100 .....

**K-BSZ125AL-M2** made of aluminum for SFA125 .....

##### Blank cap with chain for road tanker couplings

**K-MKB080AL** made of aluminum for SFA080 .....

**K-MKB080MS** made of brass for SFA080 .....

**K-MKB080VA** made of stainless steel for SFA080 .....

**K-MKB100AL** made of aluminum for SFA100 .....

**K-MKB100VA** made of stainless steel for SFA100 .....

##### Mother end cap with chain for camlock couplings for the design with swiveling lever limit switch and camlock couplings

**K-AMB065VA** made of stainless steel for SFA065 .....

**K-AMB080VA** made of stainless steel for SFA080 .....

**K-AMB100VA** made of stainless steel for SFA100 .....

We provide deliveries, services and offers exclusively on the basis of our General Terms and Conditions that are available for viewing and download at [www.mollet-level.com](http://www.mollet-level.com).

