

# Silo overflow monitoring system

the complete protection for silos and vessels

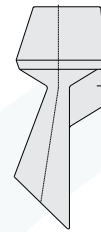
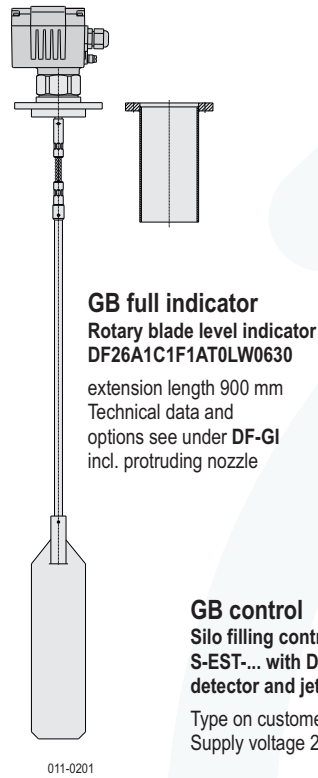
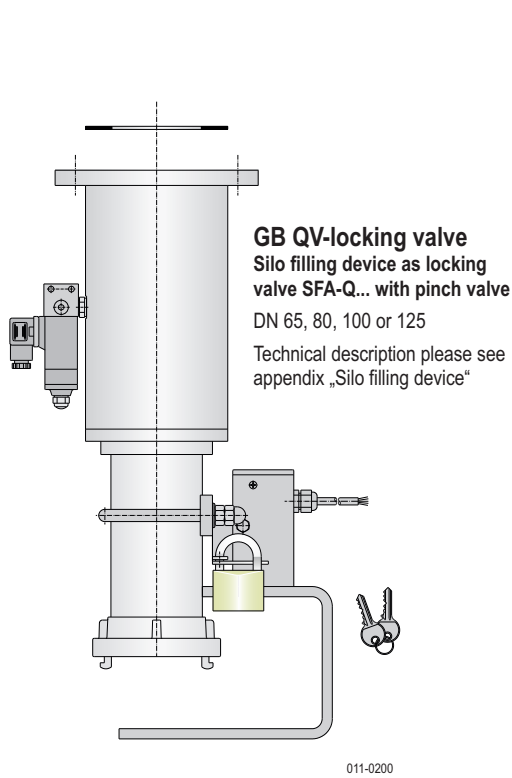


## Appliance information

Index	Page
GB Basic module   function sequence .....	02
E1 Pressure switch for pressure monitoring and limitation of the last surge .....	03
E2 Full indicator 2 rotary blade level indicator for safety full detection .....	03
E3 Safety valve Silo-Ex-Implo-Valve for pressure release .....	03
E4 Jet filter silo jet filter with pneumatic purification .....	03
E5 Vibrating filter control for vibrating filter .....	04
E6 Silo unblocking selection switch for silo filling .....	04
E7 Operator panel on site operating .....	04
E8 Signal lamp rotating mirror beacon as signal lamp .....	04
E9 QV monitoring pinch valve monitoring .....	04
E10 Empty indicator rotary blade level indicator for demand or empty detection .....	04
E11 Extensions extension of silo filling control .....	05
E12 Ball locking valve silo filling device as locking valve .....	05
E13 Control sieve sieve for silo filling pipe .....	05
GB Signal horn appliance information .....	06
E3 Safety valve appliance information .....	07
E8 Signal lamp appliance information .....	08
Appendix Silo filling device appliance information .....	
Control solenoid valve .....	
Quick air-exhaust valve   Pressure switch .....	

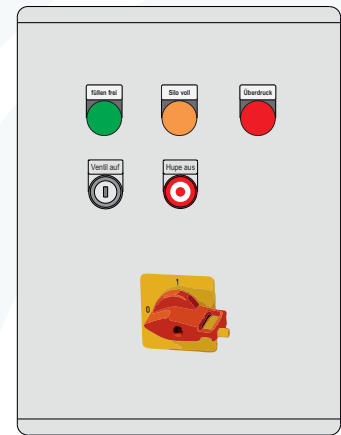
## Appliance information

## GB basic module



**GB signal horn**  
Horn for acoustic signals  
HPW11-07  
Technical data see page 8 (HP-GI-01)

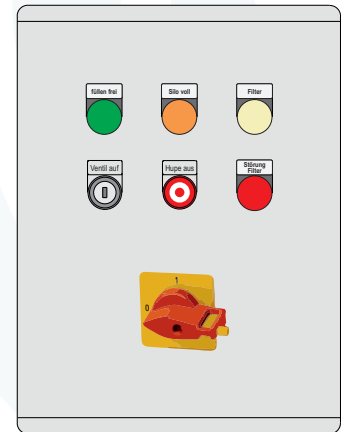
011-0202



**GB control**  
Silo filling control S-EST... with Dilo pressure detector and jet-filter control  
Type on customer's demand  
Supply voltage 230 V, 24 V DC

### Function sequence

- While coupling the filling pipe, the swivelling lever swivels beside**
  - the limit switch will be actuated
  - the overfill monitoring system will be put into operation
  - the full indicator will be switched on
  - the jet filter starts the operation and cleans in intervals during the whole filling process
  - the blocking valve opens
  - the green lamp "filling o.k." lights up
- The filling process can be started**
- The filling level reaches the full indicator**
  - the green lamp switches off
  - the red lamp "Silo full" lights up
  - the horn sounds (the signal of the horn can be turned off by pushing the pushbutton "Horn off")
- The filling process will be stopped immediately and the filling pipe will be emptied**
- After approx. 30 sec. the blocking valve closes the filling pipe automatically**  
(under supervision, the blocking valve can be opened with a key-operated switch, to empty the filling pipe or to refill small remaining quantities).



**GB control**  
Silo filling control S-EST... with filter control  
Type on customer's demand  
Supply voltage 230/400 V, 24 V DC

011-0203

ATEX option

Dust  for all devices

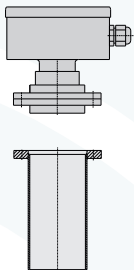
ATEX option

Gas+ Dust  for a part of devices

## Appliance information

## E supplementary modules

### E1 pressure switch



#### E1 silo pressure switch for pressure monitoring and limitation of the last surge E1-MSD-070

Technical data see under MSD-GI-01  
incl. protruding nozzle, red lamp "overpressure" and controller part are installed in the silo filling control

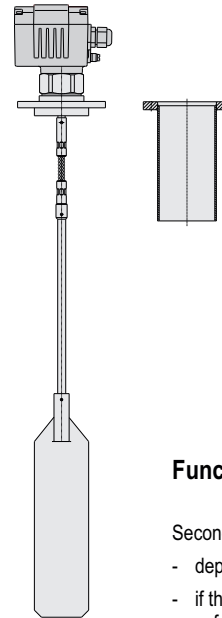
011-0204

#### Function

If the pressure increases in the silo, e.g. during the last torrent, the pressure detector will register this depending on the adjusted pressure and will signalise to the controller.

- the blocking valve closes the filling pipe immediately
- the green lamp "filling free" switches off
- the red lamp "overpressure" lights up
- the horn sounds
- the filter is cleaning itself

### E2 full indicator 2



#### E2 rotary blade level indicator as safety full indicator E2-DF26A1C1F1AT0LW0430

extension length 700 mm  
Technical data see under DF-GI-01  
incl. protruding nozzle

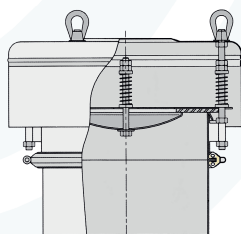
#### Function

Second full indicator instead of a timer

- depending on volume, instead of time controlled after-run
- if the filling level reaches the measuring blade of the safety full indicator the blocking valve will close immediately

011-0205

### E3 safety valve



011-0206

#### E3 Silo-Ex-Impl-Valve for pressure release E3-SEI-250

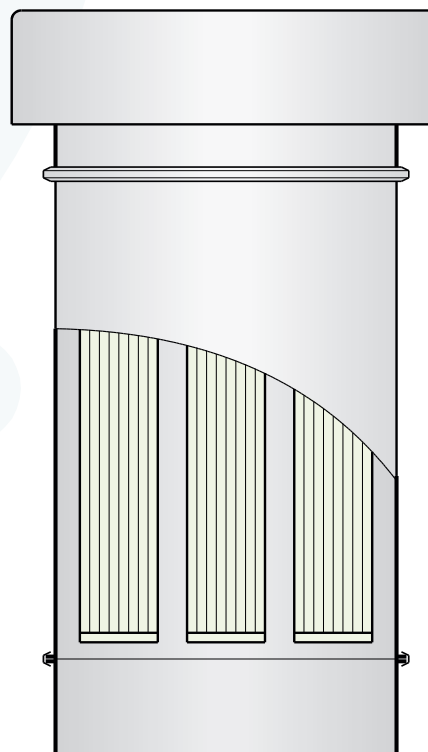
Technical data see page 9 (SEI-GI-01)  
incl. protruding nozzle

#### Function

The Silo-Ex-Impl-Valve protects silos from overpressure and low pressure while

- pneumatic filling
- Sticking of the dust precipitation filter
- Fermentation
- Temperature variations
- Condensation
- high output
- Aspiration

### E4 jet filter



#### E4 silo jet filter with pneumatic purification

Filter area depending on requirement:

**E4-SJF-130** with 13 m<sup>2</sup>

**E4-SJF-200** with 20 m<sup>2</sup>

**E4-SJF-240** with 24 m<sup>2</sup>

Silo top filter with purification by compressed air  
incl. Protruding nozzle,  
time controller and necessary compressed air  
control valves, compressed air switch to control if  
compressed air is available and in the controller  
are installed the silo filling control and a red lamp  
"no compressed air".

#### Funktion from the air blast circuit breaker

If the compressed air sinks under approx. 5 bar

- after 30 seconds the blocking valve closes the filling pipe
- the green lamp "filling free" goes out
- the red lamp "no compressed air" lights up
- the horn sounds

011-0207

## Appliance information

## E supplementary modules

### E5 vibrating filter



#### E5 controller for vibrating filter of the silo E5-SRS

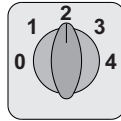


Controlling of a vibrator 0.18 up to 0.25 kW, installed in the silo filling control, with white lamp "filter" and red lamp "failure filter"

#### Function

- the filter will be vibrated (cleaned) before and after the filling process

### E6 silo unblocking



011-0208

#### E6 selection switch for silo filling E6-SFG

Switch to select the silo filling and to avoid the false filling  
Optional installed in the controller or for installation in the control room of the plant

#### Function

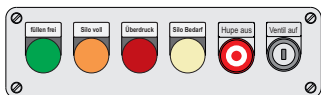
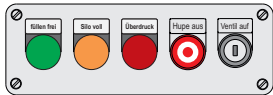
- **Setting „0“** - all silos inaccessible
- **Setting „1“** - Silo 1 may be filled, all the other silos are inaccessible
- **Setting „2“** - Silo 2 may be filled, all the other silos are inaccessible etc.

### E7 operator panel



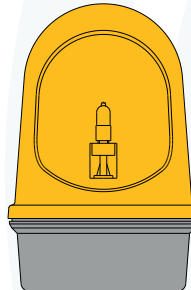
#### E7 on site operating E7-SVB

in various models for mounting next to the filling pipe and for operation directly on-site



011-0209

### E8 signal lamp



011-0210

#### E8 rotating mirror beacons as signal lamp E8-HL883

yellow with halogen lamp, additional or instead of the horn

Technical data see page 10 (HL-GI-01)

### E9 QV monitoring



#### E9 pinch valve monitoring E9-QSD

pressure switch installed at the pinch valve with corresponding controller part installed in the silo filling control

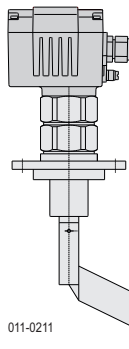


#### Function

Monitoring of pinch valve functions

- E9.0** signalises "Valve defect" with yellow light
- E9.1** signalises "Valve closed" with white light
- E9.2** signalises "Valve closed" - "Valve open" with two white lights

### E10 empty indicator



011-0211



#### E10 rotary blade level indicator for demand or empty detection

##### E10.1-DF23A1C1F1AS2V

white light "silo demand" or "silo empty" and controller part installed in the silo filling control

#### Function

- E10.1** signalises "silo empty" with white light
- E10.3** signalises "silo demand" with white light other functions on customer's request

## Appliance information

## E supplementary modules

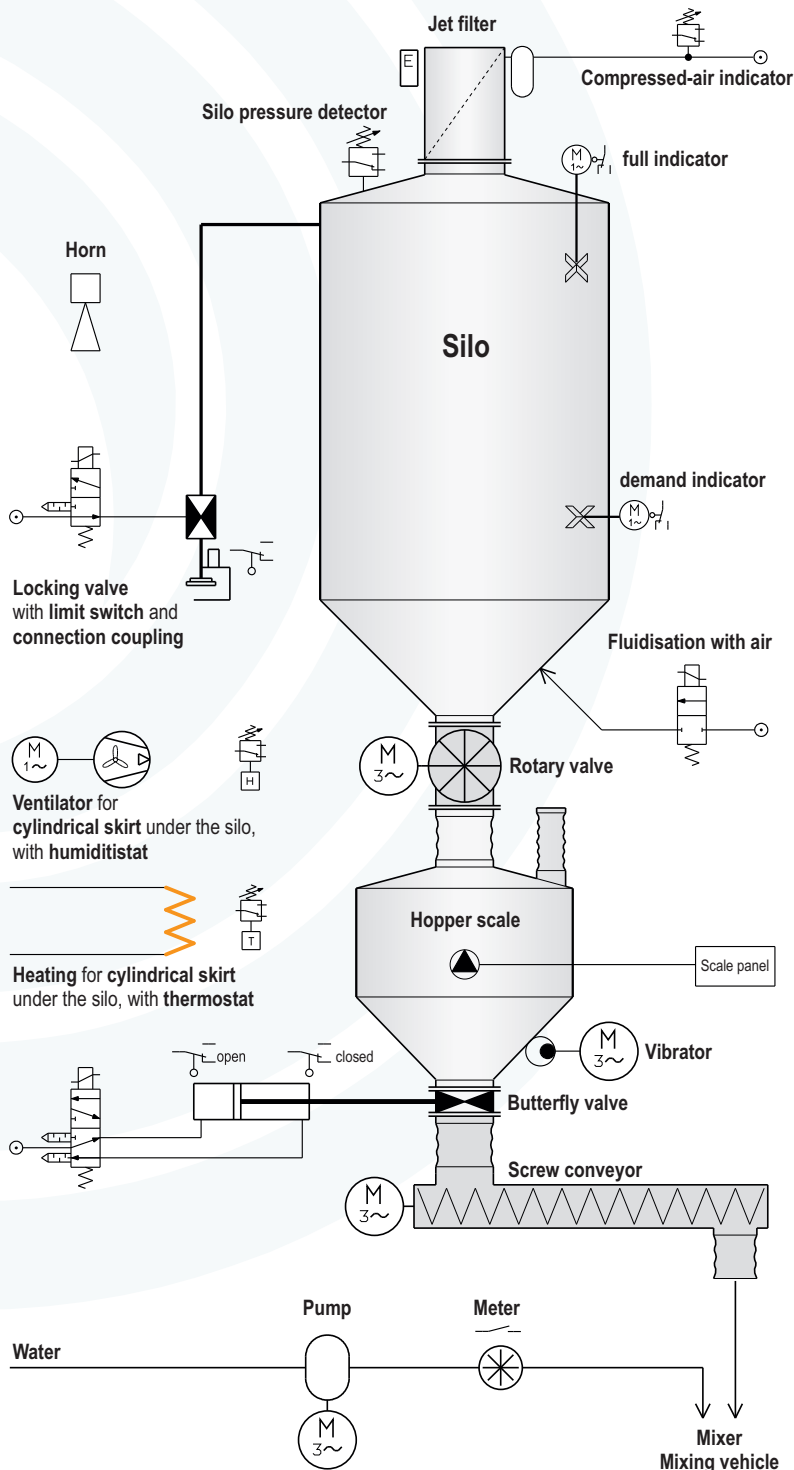
### E11 extensions

#### E11 extensions of silo filling control

##### E11-EST-EW

supplementation of the electric control for further silo components e.g. as like as shown in the diagram.

On customer's request, other models possible also



011-0212

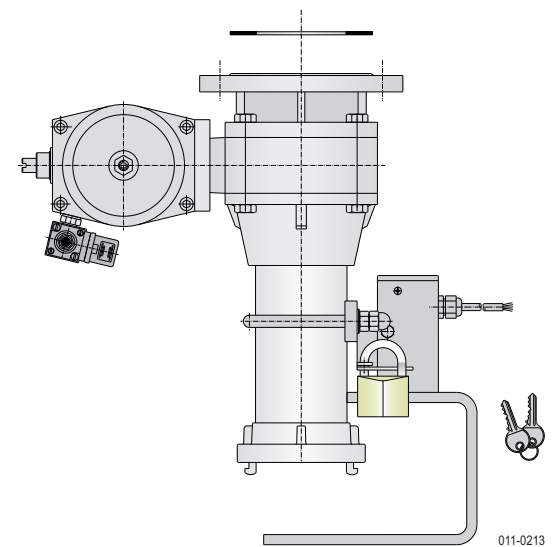
### E12 ball valve

#### E12 silo filling device as locking valve

##### E12-SFA-K... with ball valve

DN 80 or 100 mm

Technical description please see appendix „Silo filling device“



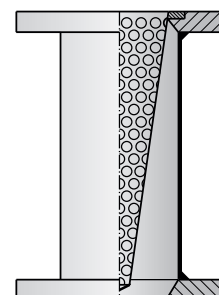
011-0213

### E13 Control sieve

#### E-13 silo control sieve

##### E13-SFS

with hole size 10 mm for mounting in the filling pipe

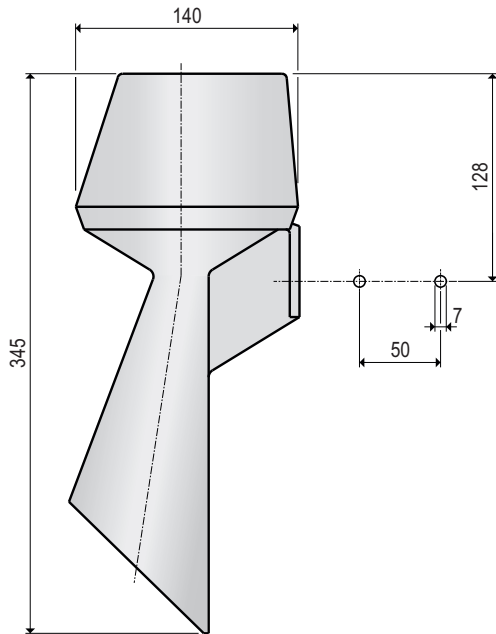


011-0214

## Appliance information

## GB signal horn

### Dimensions



### Use

All-purpose signal horn for dry and moist locations inside as well as for the use outdoor.

### Technical data

Material	Housing	ABS
Colour		grey
Mounting position		vertical
Volume		approx. 110 dB(A), 1m
Ambient temperature		-20 °C ... +40 °C
Supply voltage	<b>06</b>	110 ... 120 V ~ (AC)
	<b>07</b>	220 ... 240 V ~ (AC)
	<b>13</b>	24 V = (DC)
Power consumption		max. 0.3 A
Cyclic duration factor		100 % (Continuous operating mode)
Cable entry		Gland M20x1.5
Type of protection		<b>IP55</b> acc. to DIN EN 60529
Maintenance		none
Weight		1.15 kg

### Type selection

#### Order code

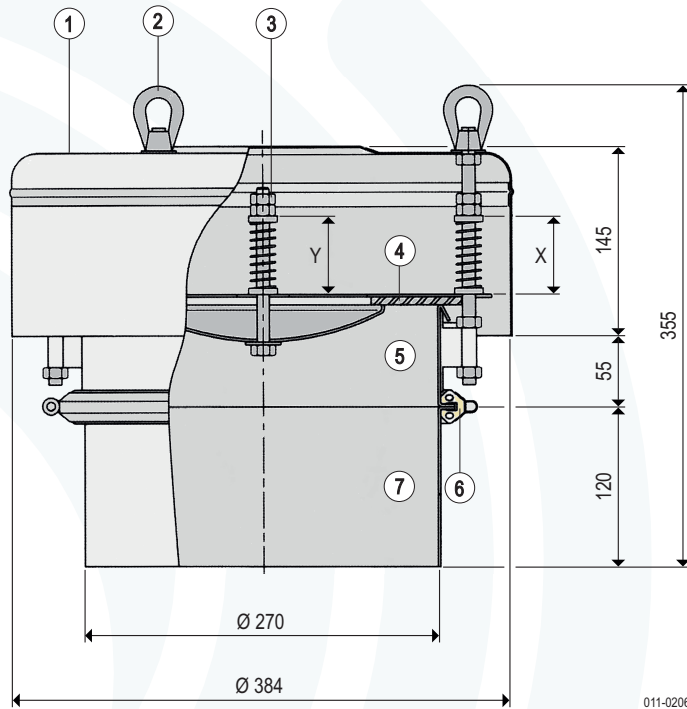
<b>HPW11-06</b>	110 ... 120 V ~
<b>HPW11-07</b>	220 ... 240 V ~
<b>HPW11-13</b>	24 V =/~

Subject to modification

## Appliance information

## E3 safety valve

### Dimensions



011-0206

### Use

The Silo-Ex-Implor-Valve protects silos and vessels from high pressure and low pressure. The valve has to be mounted at the top of silos or vessels.

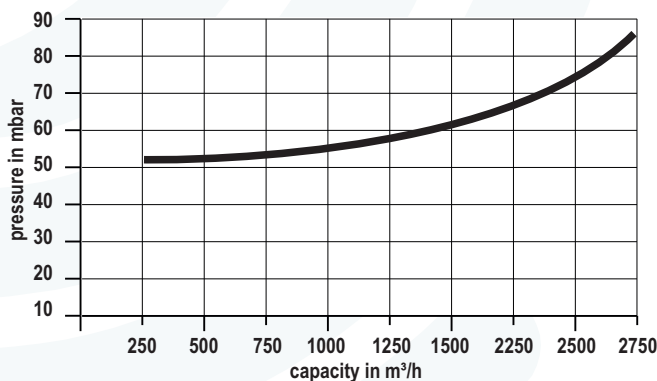
It protects against:

- pneumatic filling
- sticking of the dust precipitation filter
- fermentation
- temperature variations
- condensation
- high output
- aspiration

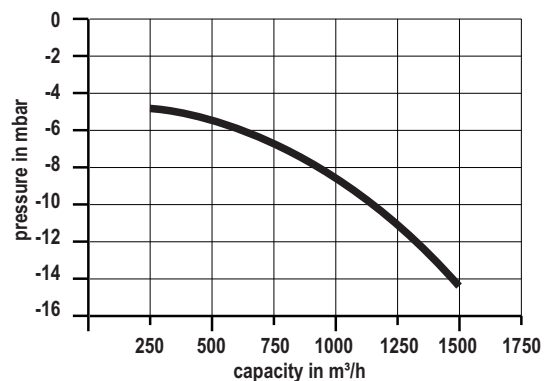
### Technical data

Type	E3-SEI-250
Materials	<p>1 Covering hood Stainless steel 1.4306 / 304 L</p> <p>2 Lifting bracket 1.4306 / 304 L</p> <p>3 Spring guidance, screws and nuts 1.4306 / 304 L</p> <p>4 Valve disc 1.4306 / 304 L and gasket white, food</p> <p>5 Corpus 1.4306 / 304 L</p> <p>6 Clamping ring 1.4306 / 304 L and profiled gasket, neopren white, food</p> <p>7 weld-in frame 1.4306 / 304 L</p>
Installation	vertical (flared-end tube horizontal)
Temperature range	$T_a$ -25 °C ... +70 °C

### Curve by overpressure



### Curve by low pressure



### Adjustment tables

High pressure		Low pressure	
X mm	mbar	Y mm	mbar
65	60	50	12
75	50	63	9
85	40	80	5
		92	2

### Factory setting

High pressure	50 mbar
Low pressure	2 mbar
<b>max. adjustable pressure</b>	
High pressure	60 mbar
Low pressure	12 mbar

ATEX option

B4 **Dust**  II 2D IIIB

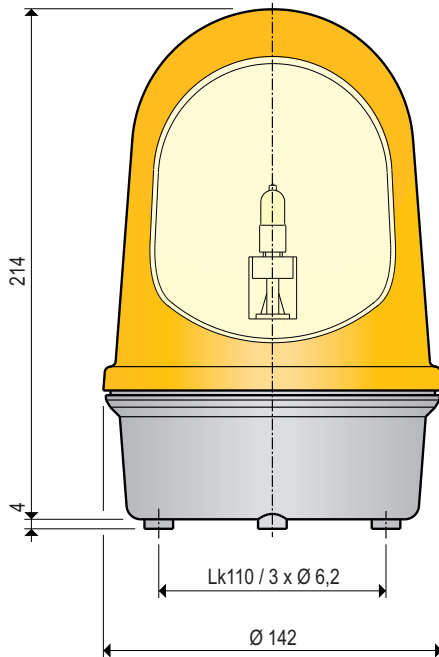
ATEX option

B6 **Gas+ Dust**  II 2G IIB and II 2D IIIB

## Appliance information

## E8 signal lamp

### Dimensions



006-0202

### Use

All-purpose signal lamp for dry and moist locations inside as well as for the use outdoors.

### Technical data

<b>Material</b>	Housing	PC/ABS-Blend
	Collar/cap	PC, translucent
<b>Colour</b>	Housing	black
<b>Collar colour</b>		1 red
		2 green
		3 yellow
<b>Installation</b>	upright or hanging	vertical
<b>Fixing</b>		base mounting
<b>Ambient temperature</b>		-30 °C ... +50 °C
<b>Supply voltage</b>	<b>75</b>	24 V $\equiv$ (DC)
	<b>68</b>	220 ... 240 V
<b>Current consumption</b>		3.0 A
<b>Drive</b>		friction wheel, low-wear
<b>Rotation speed</b>		180 U/min
<b>Life duration of drive</b>		>5.000 h
<b>Duty cycle</b>		100 %
<b>Halogen lamp</b>		35 Watt
<b>Cable entry</b>		Ø 5 ... 7 mm
<b>Type of protection</b>		<b>IP65</b> acc. to DIN EN 60529
<b>Weight</b>		0.760 kg

### Type selection

**Order code**

HL883-\*75 24 V  $\equiv$   
HL883-\*68 220 ... 240 V ~  
\* = Collar colour

Subject to modification



# Silo filling device

Shut-off valve for filling process of silos

# SFA

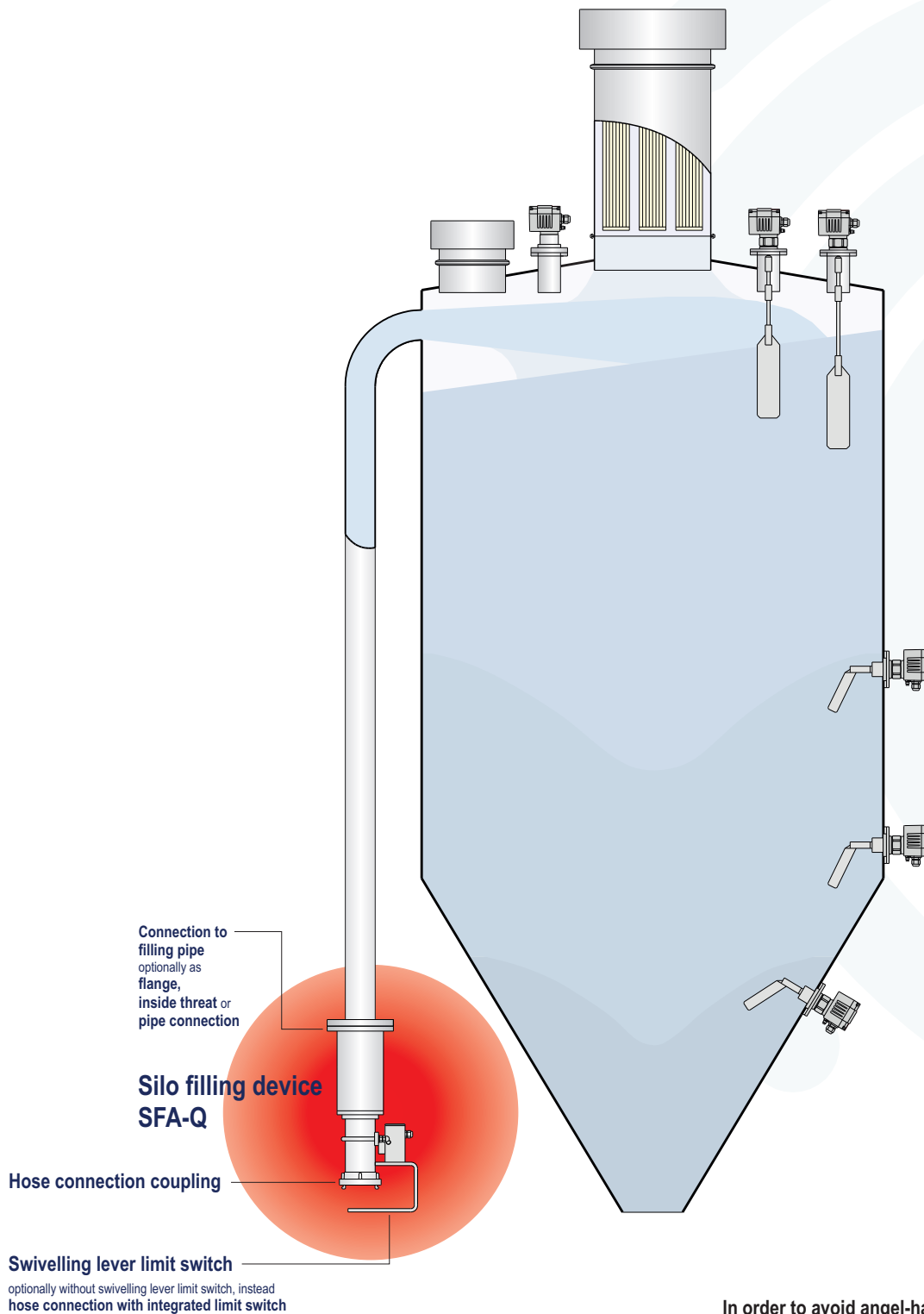
## Appliance information

Index	Page
Application .....	02
Silo filling device with pinch valve .....	03 - 04
Silo filling device with ball valve .....	05 - 06
Appendix	
Control solenoid valve .....	
Quick air-exhaust valve   Pressure switch .....	

## Application

Shut-off valve with connection coupling and swivelling lever

Silo filling device for shut-off the filling pipe in order to protect the silo plant against overload and overpressure

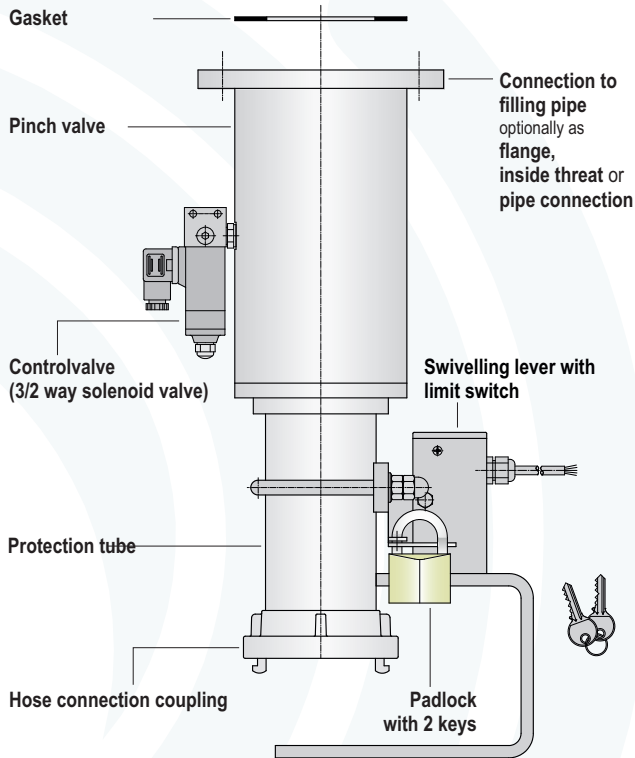


In order to avoid angel-hair, turbulences or change of core structure we supply optionally the silo filling device completely seamless.

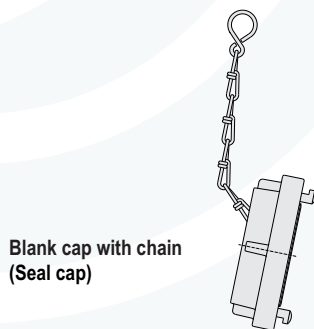
## Appliance information

Silo filling device to connect the filling pipe and to shut-off the filling pipe while pneumatic filling process of silos from silo vehicles.

Silo filling device with pinch valve  
Type: SFA ...Q ... DN 65, 80, 100, and 125



011-0200



Blank cap with chain (Seal cap)

## Manufacturing modification

optional on customer's request

<b>Filling pipe connection</b>	Flange Internal thread Tube
<b>Pinch valve</b>	
<b>Housing and filling pipe connection</b>	Aluminium AIMgS1 Stainless steel 1.4571 / 316 Ti
<b>Clamping sleeve (product touching)</b>	Aluminium AIMgS1 Stainless steel 1.4571 / 316 Ti
<b>Hoses</b>	<b>NR</b> Caoutchouc, resistant to abrasion <b>NRE</b> Caoutchouc, resistant to abrasion, ATEX <b>NW</b> Caoutchouc, inside white for food <b>EP</b> EPDM for food <b>EPE</b> EPDM for food, ATEX <b>VI</b> VITON
<b>Control valve for pinch valve (3/2 way solenoid valve)</b>	normally closed, 230 V AC (SFA ...Q normally open) normally closed, 24 V DC (SFA ...Q normally open) normally closed, 24 V AC (SFA ...Q normally open) normally open, 230 V AC (SFA ...Q normally closed) normally open, 24 V DC (SFA ...Q normally closed) normally open, 24 V AC (SFA ...Q normally closed)
<b>Protection tube</b>	Steel, galvanized Stainless steel 1.4571 / 316 Ti Aluminium AIMgSi1
<b>Hose connection coupling (system and material)</b>	Storz, Aluminium Storz, Aluminium/Stainless steel 1.4571 / 316 Ti Storz, Stainless steel 1.4571 / 316 Ti TW coupling, DIN 28450, Brass TW coupling, DIN 28450, Stainless steel 1.4408 Camlock DIN 2828, Stainless steel 1.4408 Guillemin, Aluminium
<b>Limit switch (Filling hose connected)</b>	Swivelling lever limit switch mechanical Swivelling lever limit switch inductive Swivelling lever limit switch NAMUR Limit switch mechanical mounted on couplings* Limit switch inductive mounted on couplings* Limit switch NAMUR mounted on couplings* * not available with Camlock or Guillemin couplings
<b>Cable length for limit switches</b>	2 m cable (not available with mechanical limit switch) 5 m cable 10 m cable
<b>Accessories for silo filling device</b>	
<b>Quick air-exhaust valve (incl. silencer)</b>	Valve installed at SFA ...Q Valve as separate component
<b>Compressed air switch</b>	Switch installed at SFA ...Q Switch as separate component (for position indication or for signal "hose malfunction")
<b>Padlock (with 2 keys)</b>	for swivelling lever, keyed alike for swivelling lever, keyed different for Storz fixed couplings and Storz blank cap (keyed alike) for Storz fixed couplings and Storz blank cap (keyed different)
<b>Covering hose connection</b>	
<b>Blank cap with chain</b>	Storz couplings/Swivelling lever limit switch Storz couplings/built-in limit switch
<b>Mother end cap for</b>	Camlock couplings/Swivelling lever limit switch
<b>End cap for</b>	Road tanker couplings (TW coupling, DIN 28450)
<b>Further accessories</b>	on request

ATEX option

B3 Dust  II 1/3D IIIB

ATEX option Gas+  II 1/2G IIB  
and  
B11 Dust  II 1/2D IIIB

## Single parts

### Silo filling device with pinch valve

Type SFA ...Q ... DN 65, DN 80 and 100

	DN 65	DN 80	DN 100
Gasket	077-002-DIR-ABF	090-002-DIR-ABF	115-002-DIR-ABF
Hexagonal nut	0934-05-000-STV	0934-05-000-STV	0934-05-000-STV
Cylinder head screw	0912-05-045-STV	0912-05-045-STV	0912-05-045-STV
3/2-way solenoid valve with all components	230 V AC ..... 0 820 005 250B 24 V DC ..... 0 820 005 251B 24 V AC ..... 0 820 005 253B		
Pinch valve depending on version	QV-065-FG-AX-XX	QV-080-FG-AX-XX	QV-100-FG-AX-XX
Threaded pin	0914-06X010-V4A	0914-06X010-V4A	0914-06X010-V4A
Protection tube made of Steel, galvanized 1.4571 / 316 Ti Aluminium	065-200-NIP-STV 065-200-NIP-V4A 065-200-NIP-AL	080-200-NIP-STV 080-200-NIP-V4A 080-200-NIP-AL	100-200-NIP-STV 100-200-NIP-V4A 100-200-NIP-AL
Swivelling lever with integrated limit switch	SES-065-X SIS-065-X SNS-065-X	SES-080-X SIS-080-X SNS-080-X	SES-100-X SIS-100-X SNS-100-X
2=2 m, 5=5 m, 0=10 m Cable length			
Padlock with 2 keys	KS-VS025-G, or optional KS-VS025-U,	the same key for all locks	a separate key for every lock
Thread pin	0914-05X010-V4A	0914-05X010-V4A	0914-05X010-V4A
Connection coupling made of Aluminium Aluminium / 1.4581 / 318 1.4581 / 318	K-FSZ075IG2½-AL K-FSZ075IG2½-VA	K-FSZ075IG3-AL K-FSZ075IG3-VA	K-FSZ110IG4-AL K-FSZ110IG4-AV K-FSZ110IG4-VA

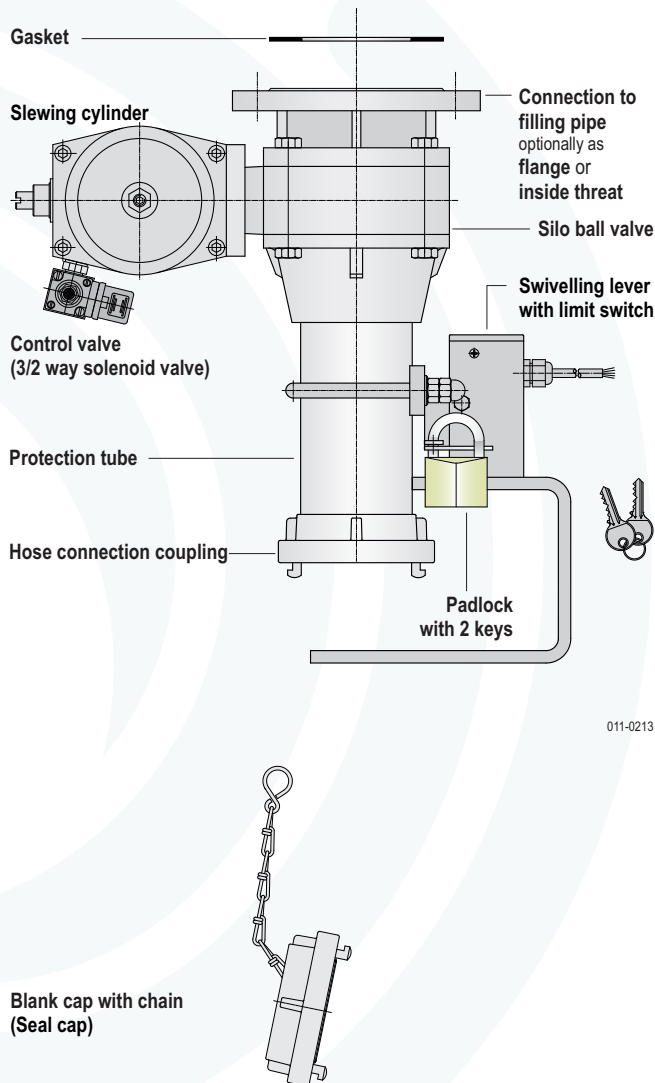
011-0800

## Appliance information

Silo filling device to connect the filling pipe and to shut-off the filling pipe while pneumatic filling process of silos from silo vehicles.

### Silo filling device with ball valve

Type SFA ... K ... DN 80 and 100



011-0213

### Manufacturing modification

optional on customer's request

<b>Filling pipe connection</b>	Flange Internal thread
<b>Ball valve</b>	
<b>Housing and filling pipe connection</b>	Aluminium
<b>Ball</b>	Stainless steel
<b>Seal rings</b>	PTFE / VITON
<b>Actuator</b>	single acting (Valve closes in case of power and/or compressed air failure)
<b>Position switch</b> (position indication „open/closed“)	without position switch 1 switch signal ball valve „closed“ 2 switches signals ball valve „open“ / „closed“
<b>Control valve for ball valve</b> (3/2 way solenoid valve)	normally closed, 230 V AC (SFA ... K normally closed) normally closed, 24 V DC (SFA ... K normally closed) normally closed, 24 V AC (SFA ... K normally closed)
<b>Protection tube</b>	Steel, galvanized Stainless steel 1.4571 / 316 Ti Aluminium AlMgSi1
<b>Hose connection coupling</b> (system and material)	Storz, Aluminium Storz, Aluminium/Stainless steel 1.4571 / 316 Ti Storz, Stainless steel 1.4571 / 316 Ti TW coupling, DIN 28450, Brass TW coupling, DIN 28450, Stainless steel 1.4408 Camlock DIN 2828, Stainless steel 1.4408 Guillemin, Aluminium
<b>Limit switch</b> (Filling hose connected)	Swivelling lever limit switch mechanical Swivelling lever limit switch inductive Limit switch mechanical mounted on couplings* Limit switch inductive mounted on couplings* * not available with Camlock or Guillemin couplings
<b>Cable length for limit switches</b>	2 m cable (not available with mechanical limit switch) 5 m cable 10 m cable

#### Accessories for silo filling device

<b>Quick air-exhaust valve</b> (incl. silencer)	Valve installed at SFA ... K Valve as separate component
<b>Padlock</b> (with 2 keys)	for swivelling lever, keyed alike for swivelling lever, keyed different for Storz fixed couplings and Storz blank cap (keyed alike) for Storz fixed couplings and Storz blank cap (keyed different)

#### Covering hose connection

<b>Blank cap with chain</b>	Storz couplings/Swivelling lever limit switch Storz couplings/built-in limit switch
<b>Mother end cap for</b>	Camlock couplings/Swivelling lever limit switch
<b>End cap for</b>	Road tanker couplings (TW coupling, DIN 28450)

**Further accessories** on request

ATEX option

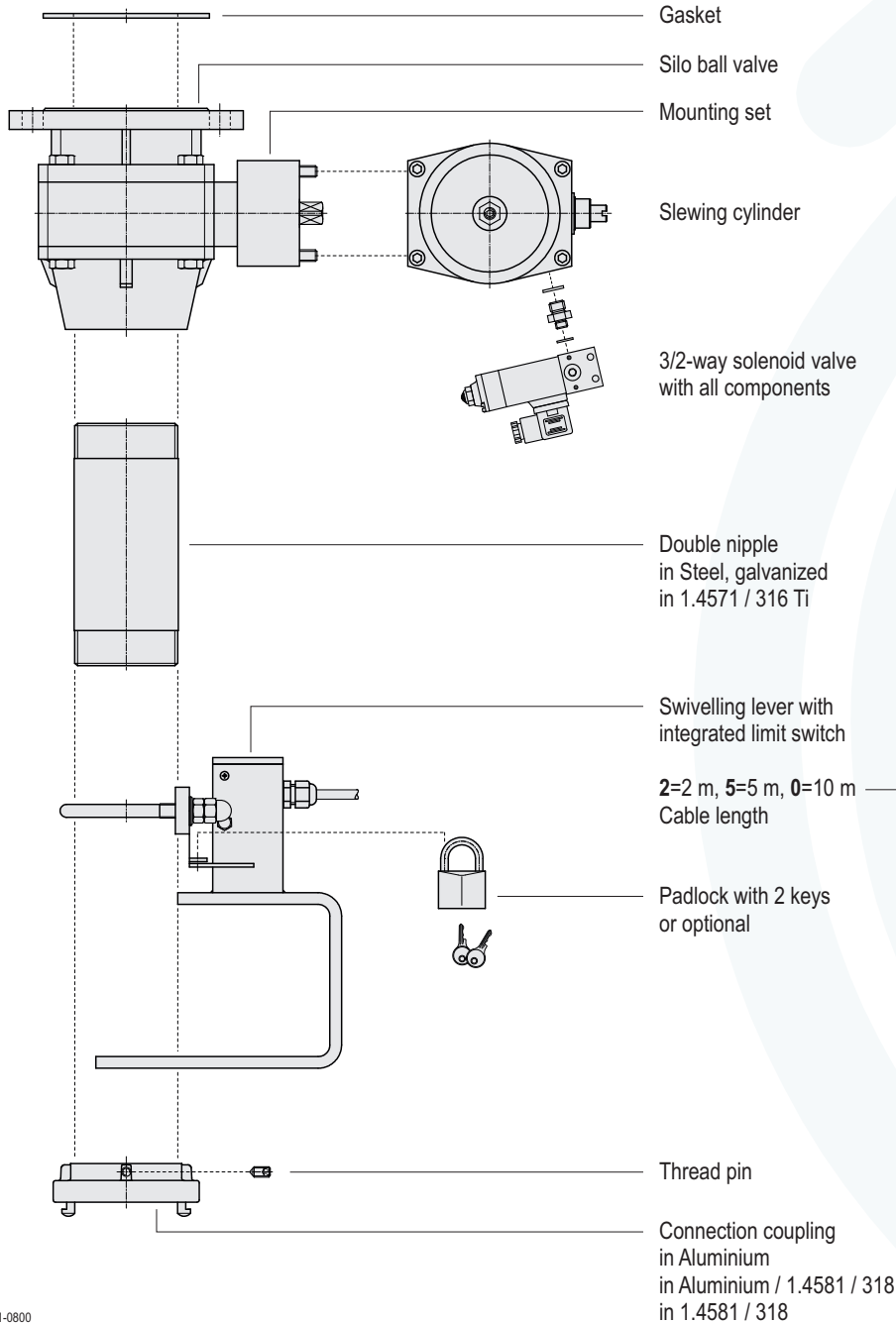
B7

Dust  II 2/3D IIIB

## Single parts

### Silo filling device with ball valve

Type SFA ... K ... DN 80 and 100



DN 80	DN 100
090-002-DIR-ABF	115-002-DIR-ABF
SKVP080-FG-AE-TN	SKVP100-FG-AE-TN
SKVP080-SET	SKVP100-SET

GTE110	GTE127
--------	--------

230 V AC . . . . .	0 820 005 150B
24 V DC . . . . .	0 820 005 151B
24 V AC . . . . .	0 820 005 153B

080-200-NIP-STV	100-200-NIP-STV
080-200-NIP-V4A	100-200-NIP-V4A

SES-080-X	SES-100-X
SIS-080-X	SIS-100-X
SNS-080-X	SNS-100-X

KS-VS025-G,	the same key for all locks
KS-VS025-U,	separate key for every lock

0914-05X010-V4A	0914-05X010-V4A
-----------------	-----------------

K-FSZ075IG3-AL	K-FSZ110IG4-AL
K-FSZ075IG3-VA	K-FSZ110IG4-AV
	K-FSZ110IG4-VA

011-0800

## Accessories

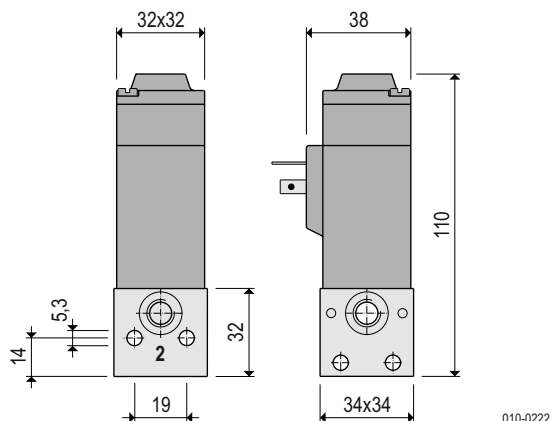
for pinch valves and silo filling devices

# QV / SFA

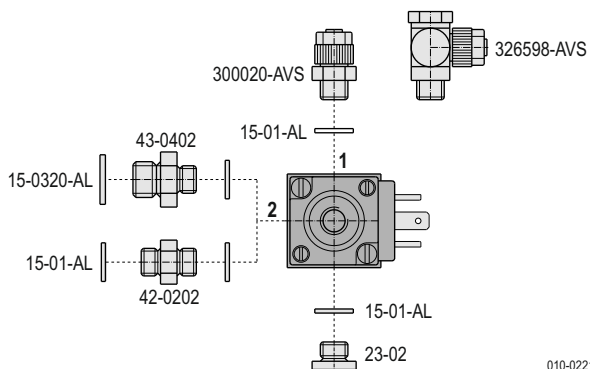
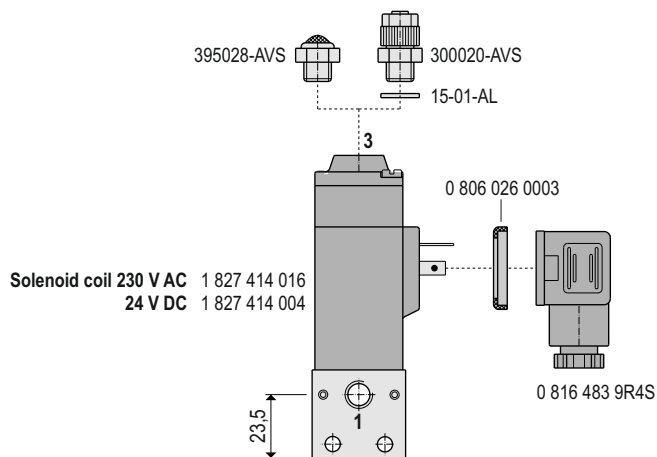
## Appliance information

Index	Page
3/2 way solenoid valve, normally closed .....	02
3/2 way solenoid valve, normally open .....	03
Quick air-exhaust valve   Compressed air switch .....	04

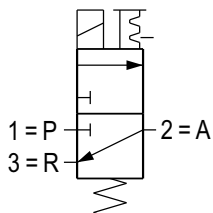
### Dimensions



### Components



### Control scheme



### Technical data

Construction type	Poppet valve, applicable for oil-free usage with manual override
Sealing	elastic soft rubber seal (VITON)
Solenoid coil	4 x 90° turnable
Socket connector	4 x 90° turnable
Connection thread	G 1/8
Mounting position	any
Ambient temperature	max. +50 °C
Medium temperature	max. +50 °C
Min. working pressure	0 bar
Nominal pressure	10 bar
Nominal flow	from 1 to 2 100 l/min from 2 to 3 120 l/min
Nominal size	1.8

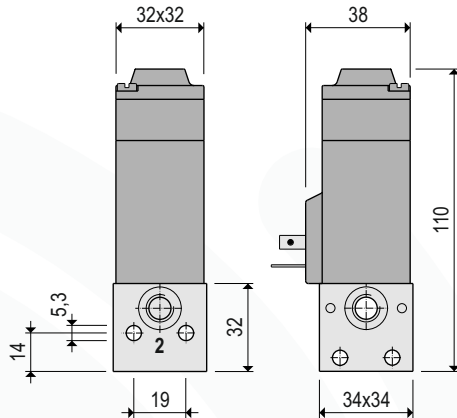
### Electrical data

Power supply	230 V AC 24 V DC 24 V AC
Power consumption	with AC pick-up power 21 VA holding power 14 VA with DC 8 W
Cyclic duration factor	100 %
Type of protection	IP00 without socket connector in acc. to EN DIN 60529 IP65 with socket connector

Power supply	Order code solenoid valve
230 V AC	0 820 005 150
24 V DC	0 820 005 151
24 V AC	0 820 005 153

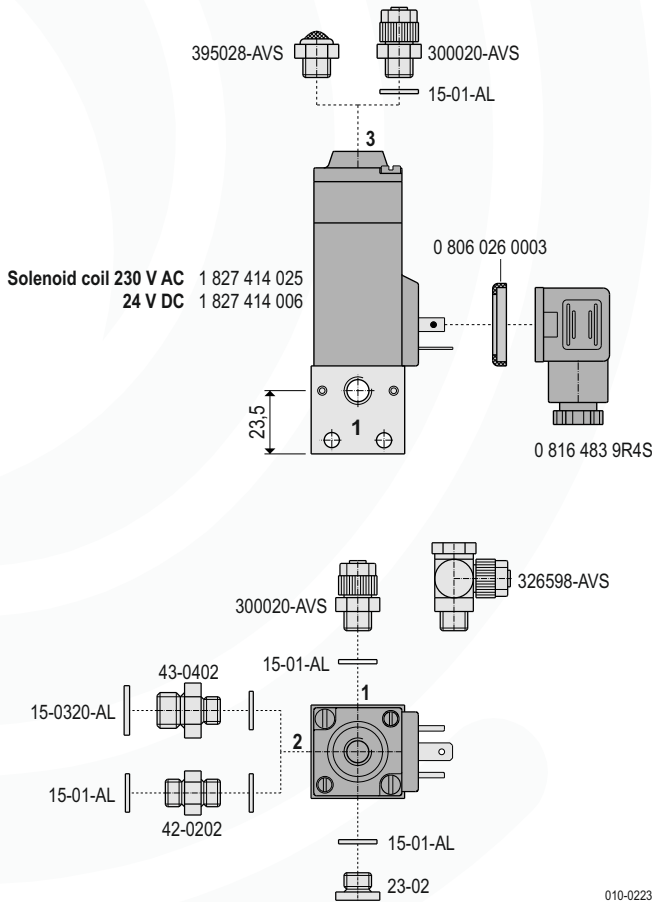


### Dimensions



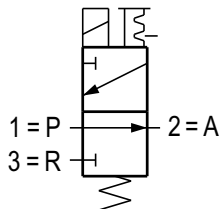
010-0224

### Components



010-0223

### Control scheme



010-AP01

### Technical data

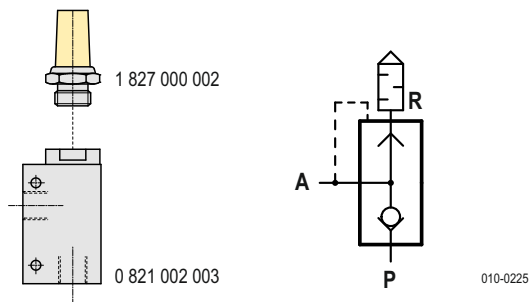
Construction type	Poppet valve, applicable for oil-free usage with manual override
Sealing	elastic soft rubber seal (VITON)
Solenoid coil	4 x 90° turnable
Socket connector	4 x 90° turnable
Connection thread	G 1/8
Mounting position	any
Ambient temperature	max. +50 °C
Medium temperature	max. +50 °C
Min. working pressure	0 bar
Nominal pressure	10 bar
Nominal flow	from 1 to 2 100 l/min from 2 to 3 120 l/min
Nominal size	1.8

### Electrical data

Power supply	230 V AC 24 V DC 24 V AC
Power consumption	with AC pick-up power 21 VA holding power 14 VA with DC 8 W
Cyclic duration factor	100 %
Type of protection	IP00 without socket connector in acc. to EN DIN 60529 IP65 with socket connector

Power supply	Order code solenoid valve
230 V AC	0 820 005 250
24 V DC	0 820 005 251
24 V AC	0 820 005 253

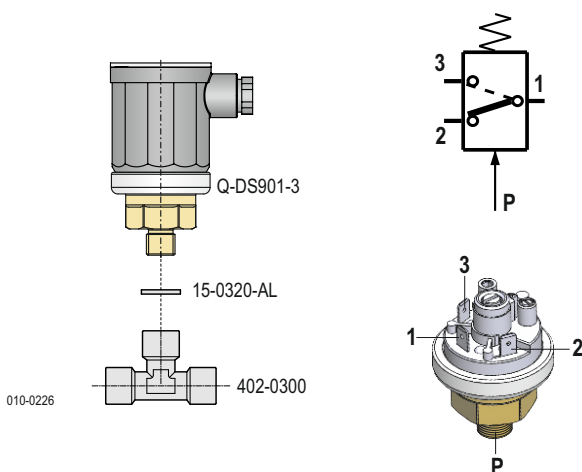
### Quick air-exhaust valve



<b>Construction type</b>	Poppet valve, applicable for oil-free usage
<b>Sealing</b>	elastic soft rubber seal (NBR)
<b>Connection thread</b>	A und P = G 1/4, R = 3/8
<b>Mounting position</b>	any
<b>Ambient temperature</b>	max. +40 °C
<b>Control medium temperature</b>	max. +40 °
<b>Min. working pressure</b>	0.5 bar
<b>Nominal pressure</b>	10 bar
<b>Nominal flow</b>	from P to A <b>1000 l/min</b> from A to R <b>2050 l/min</b>
<b>Nominal size</b>	6
<b>Silencer</b>	G 3/8

Order code **0 821 002 003**

### Compressed air switch



<b>Materials</b>	Housing	PA/PC
	Connection thread	Brass
	Membrane	NBR
<b>Connection thread</b>		G 1/4
<b>Mounting position</b>		any
<b>Ambient temperature</b>		-20 °C ... +85 °C
<b>Medium temperature</b>		max. +85 °C
<b>Max. working pressure</b>		10 bar
<b>Works setting</b>		3.0 bar
<b>Capacity of the contact</b>		6 A / 250 V AC
<b>Signal contact</b>		change-over contact
<b>Cable entry</b>		M16x1.5
<b>Electrical connection</b>		AMP plug pins 6.35
<b>Type of protection</b>		<b>IP65</b> according to DIN EN 60529

Order code **Q-DS901-3**

### ATEX option

B0 **Dust**  II 3D Ex tc IIIB T 135 °C Dc

### Quick air-exhaust valve and compressed air switch as a complete assembly

