

**Couplings system „Storz“**  
with different closing devices

**KS/KV**

**Appliance information**

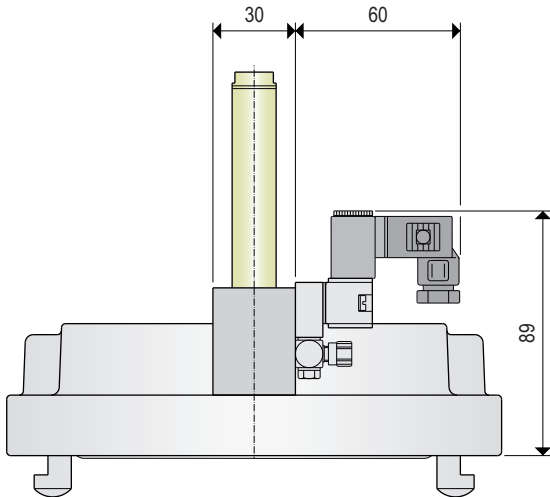
Index	Page
Couplings system system „Storz“ with cylinder lock .....	02 - 03
Couplings with inside thread „Storz“ with pneumatic locking .....	04 - 05
Technical data - couplings with inside thread system „Storz“ .....	06
Technical data - hose couplings system „Storz“ .....	07 - 08
Technical data - losse couplings system „Storz“ .....	09
Technical data - blank cap system „Storz“ .....	10



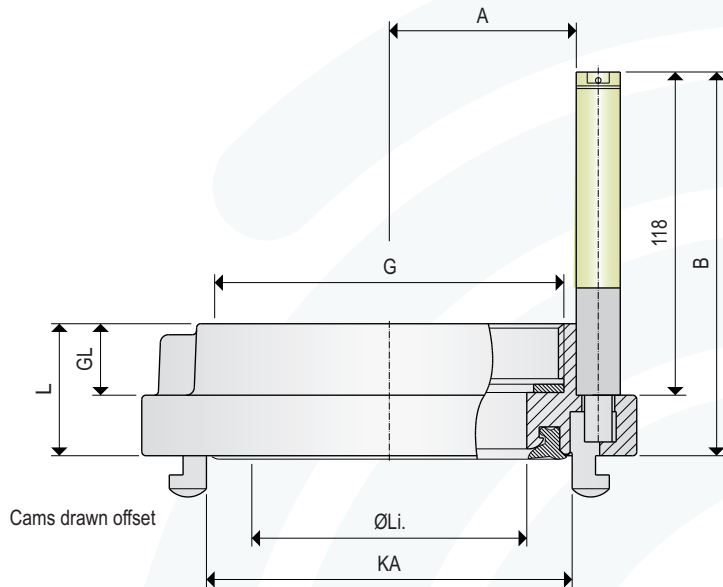
## Appliance information

## „Storz“ with pneumatic locking

### Dimensions



007-0265



Order code										
Type	NG	G	W	C	KA	Li.	L	GL	A	B
KV - SZ 052	IG2	AL	5	66	44.5	40	20	32	135	
KV - SZ 065	IG2	AL	5	81	45	37	20	42	135	
KV - SZ 065	IG2½	AL	5	81	58	52	20	42	135	
KV - SZ 075	IG2	AL	5	89	50	38	20	42	136	
KV - SZ 075	IG2½	AL	5	89	64.5	42	20	42	136	
KV - SZ 075	IG3	AL	5	89	64.5	39	22	45	136	
KV - SZ 090	IG3	AL	5	105	78	40	22	50	137	
KV - SZ 100	IG4	AL	5	115	89.5	47	25	50	140	
KV - SZ 110	IG4	AL	5	133	100	48	25	68	140	
KV - SZ 110	IG4½	AL	5	133	100	48	25	68	140	
KV - SZ 125	IG5	AL	5	148	115	52	28	75	142	
KV - SZ 150	IG6	AL	5	160	130	60	30	85	145	

We deliver fundamentally with white DS-Seal rings, for high pressure and low pressure. (acc. to KE-TD-11)

- NG = Nominal size
- G = Thread
- W = Material
- C = Supply voltage
- KA = Lug distance
- Li. = Inner diameter

According to Directive 2014/68/EU for pressure equipment:

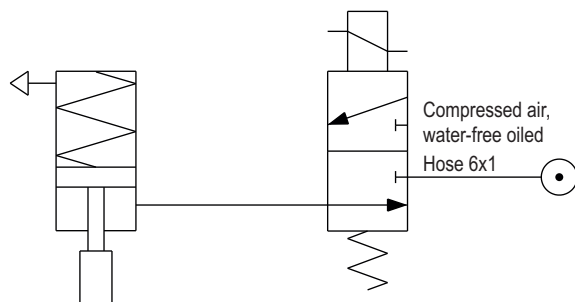
Usable for hazardous gases and liquids of group 1 up to 10 bar and up to DN 100

For example in pneumatic conveyor systems with combustible dusts etc.

Result of the evaluation of ignition danger acc. to DIN EN 13463-1:

The couplings (without cylinder and without solenoid valve) have no potential source of ignition on their own.

### Function diagram



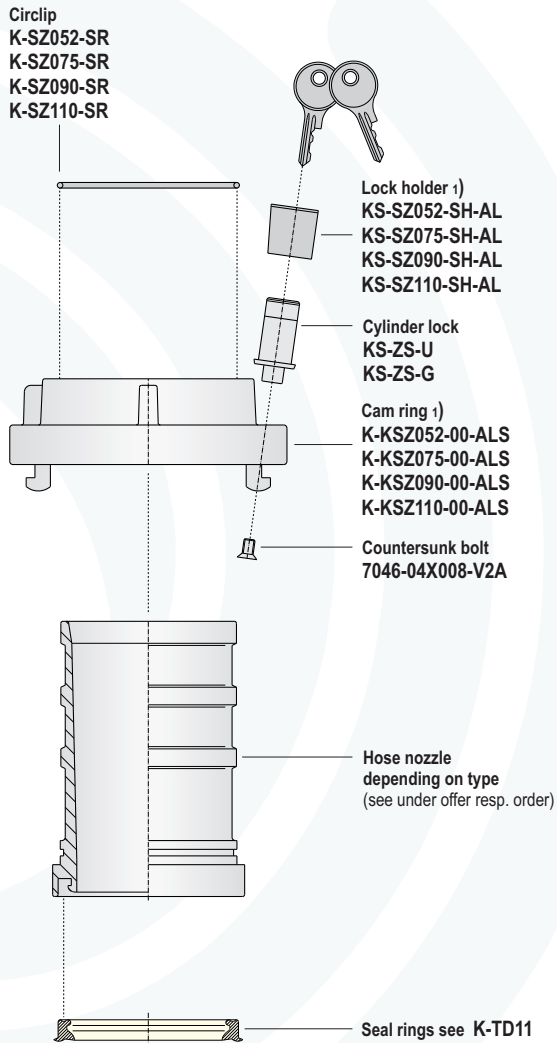
007-0265

### Technical data

<b>Materials (W)</b>	<b>Coupling</b>	<b>AL</b> = Aluminium
		<b>AV</b> = Aluminium/1.4581 / 318 or 1.457X
		<b>MS</b> = Brass
		<b>VA</b> = 1.4581 / 318 or 1.457X
	<b>Cylinder</b>	Aluminium/Brass
	<b>Mounting position</b>	any
	<b>Temperature range</b>	-15 °C ... +50 °C
	<b>min. working pressure</b>	2.5 bar
	<b>Nominal pressure</b>	8 bar
	<b>Maintenance</b>	none
	<b>Supply voltage</b>	<b>C5</b> 24 V DC
	<b>Power consumption</b>	1 W
	<b>Cyclic duration factor</b>	100 %
	<b>Type of protection</b>	<b>IP54</b>

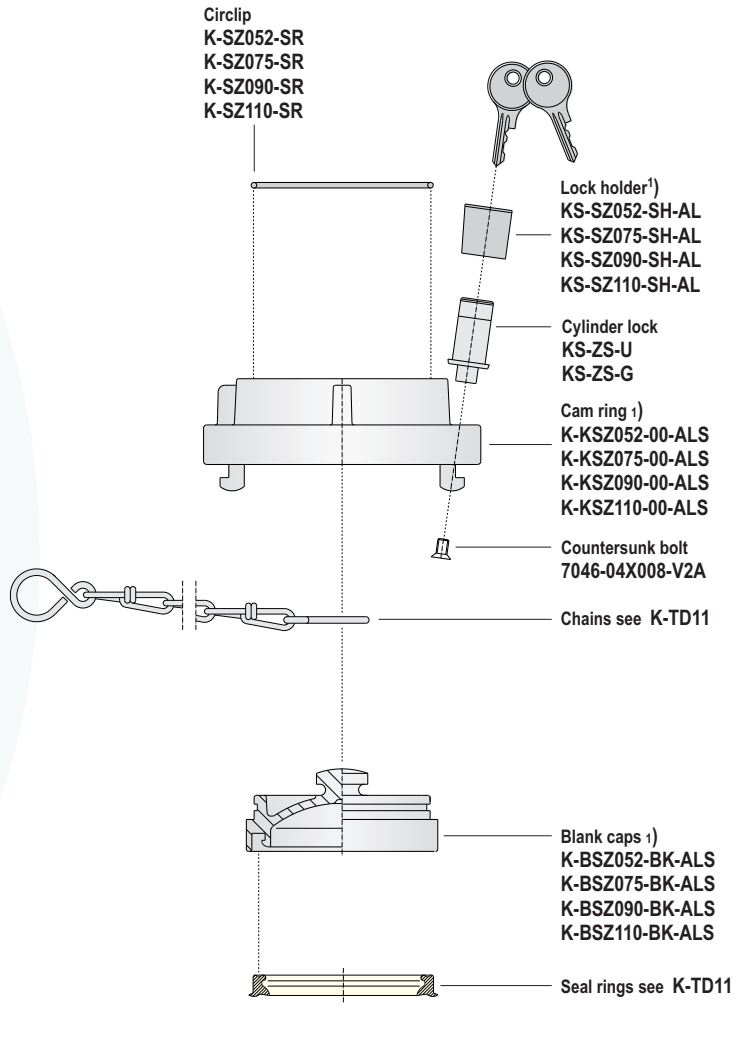
**Single parts**

**„Storz“ with cylinder lock**



007-0800

1) AL = Aluminium  
VA = Stainless steel  
MS = Brass

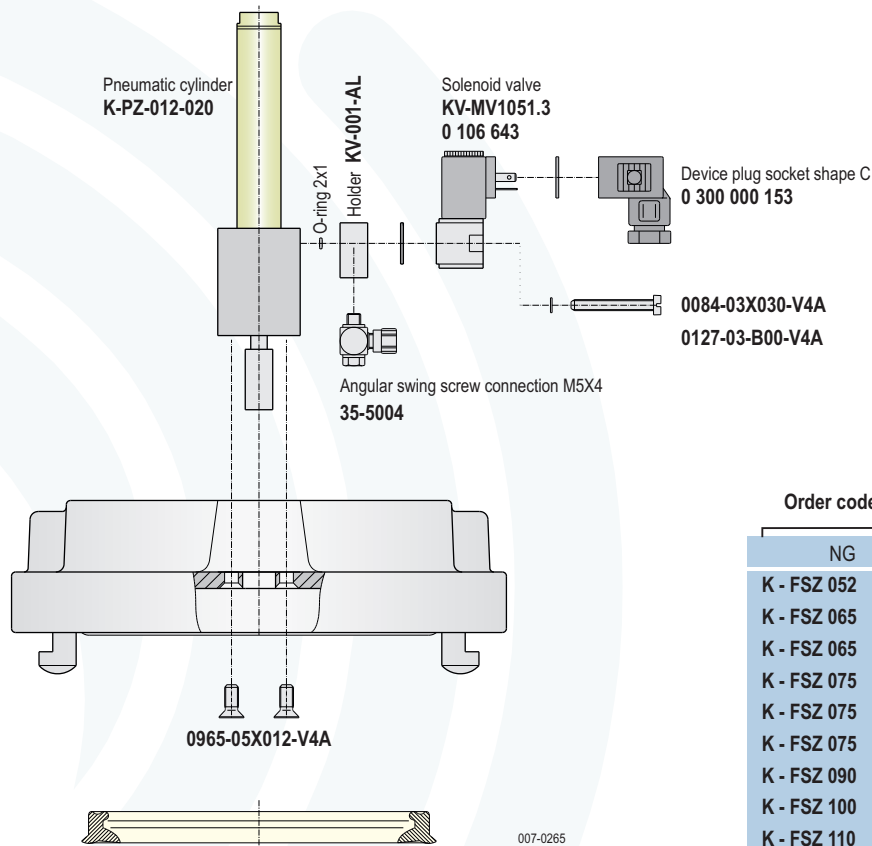


007-0801

1) AL = Aluminium  
VA = Stainless steel  
MS = Brass

**Single parts**

**„Storz“ with pneumatic locking**



**Order code couplings**

	NG	G	W	
K - FSZ 052	IG2	AL	V	
K - FSZ 065	IG2	AL	V	
K - FSZ 065	IG2½	AL	V	
K - FSZ 075	IG2	AL	V	
K - FSZ 075	IG2½	AL	V	
K - FSZ 075	IG3	AL	V	
K - FSZ 090	IG3	AL	V	
K - FSZ 100	IG4	AL	V	
K - FSZ 110	IG4	AL	V	
K - FSZ 110	IG4½	AL	V	
K - FSZ 125	IG5	AL	V	
K - FSZ 150	IG6	AL	V	

NG = Nominal size  
G = Thread  
W = Material

**incl. seal rings**

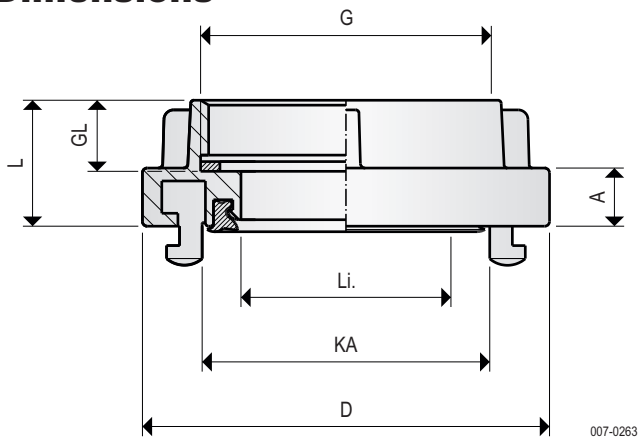
Seal rings depending on the type and acc. to data sheet **K-TD-11**

**Materials (W)** AL = Aluminium  
AV = Aluminium/1.4581 / 318 or 1.457X  
VA = 1.4581 / 318 or 1.457X  
MS = Brass

## Technical data

## Couplings with inside thread „Storz“

### Dimensions



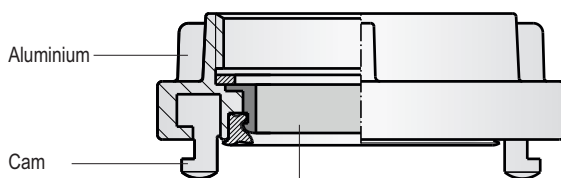
007-0263

### Technical data

<b>Ambient temperature</b>	-25 °C ... +120 °C
<b>Pressure</b>	-0.9 bar ... 10 bar
<b>Material (W) AL</b>	Aluminium
<b>Last digit 31</b>	Aluminium wrought alloy AlMgSi according to DIN 1725 TI 1 G-AlMg5Si for sand casting
<b>Last digit 32</b>	Aluminium casting alloy G-AISi7Mg according to DIN 1725 TI 2
<b>Seal rings DS*</b>	Nitrile rubber, white * we deliver fundamentally seal rings for high pressure and low pressure (DS)
alternative	VITON, green (please order separate)

### For the version AV

**Material (W) AV** Aluminium wrought alloy/1.4581 / 318 or 1.457X



product touching parts made of 1.4571 / 316 Ti

### For the version VA

**Material (W) VA** Coupling complete made of 1.4581 / 318 or 1.457X

**Couplings SP** with locking pawl on request

### Order code

Storz	Type	NG	G	W	ID-Nr.	KA	Li	L	GL	D	A
52	K - FSZ 052 IG1¼	AL	4 02898	31	66	32	32	20	98	17	17
52	K - FSZ 052 IG1¼	VA			66	32	32	20	98	17	17
52	K - FSZ 052 IG1½	AL	4 02690	31	66	32	32	20	98	17	17
52	K - FSZ 052 IG1½	VA			66	32	32	20	98	17	17
52	K - FSZ 052 IG2	AL	3 00001	31	66	44.5	40	20	98	17	17
52	K - FSZ 052 IG2	VA			66	44.5	40	20	98	17	17
52	K - FSZ 052 IG2½	AL	4 02517	31	66	44.5	40	20	98	17	17
52	K - FSZ 052 IG2½	VA			66	44.5	40	20	98	17	17
65	K - FSZ 065 IG2	AL	4 03991	31	81	45	37	20	118	17	17
65	K - FSZ 065 IG2	VA			81	45	37	20	118	17	17
65	K - FSZ 065 IG2½	AL	3 01985	31	81	58	52	20	118	17	17
65	K - FSZ 065 IG2½	VA			81	58	52	20	118	17	17
75	K - FSZ 075 IG2	AL	4 01315	31	89	50	38	20	126	19	19
75	K - FSZ 075 IG2	VA			89	50	38	20	126	19	19
75	K - FSZ 075 IG2½	AL	3 00006	31	89	64.5	42	20	126	19	19
75	K - FSZ 075 IG2½	VA			89	64.5	42	20	126	19	19
75	K - FSZ 075 IG3	AL	4 01200	31	89	64.5	39	22	126	19	19
75	K - FSZ 075 IG3	VA			89	64.5	39	22	126	19	19
90	K - FSZ 090 IG3	AL	3 00930	31	105	78	40	22	144	19	19
90	K - FSZ 090 IG3	AV			105	78	40	22	144	19	19
100	K - FSZ 100 IG4	AL	3 01745	31	115	89.5	47	25	155	22	22
100	K - FSZ 100 IG4	AV			115	89.5	47	25	155	22	22
110	K - FSZ 110 IG4	AL	2 00970	31	133	100	48	25	180	22	22
110	K - FSZ 110 IG4	AV			133	100	48	25	180	22	22
110	K - FSZ 110 IG4	VA			133	100	48	25	180	22	22
110	K - FSZ 110 IG4½	AL	2 00971	31	133	100	48	25	180	22	22
110	K - FSZ 110 IG4½	AV			133	100	48	25	180	22	22
125	K - FSZ 125 IG5	AL	3 01114	31	148	115	52	28	195	24	24
125	K - FSZ 125 IG5	AV			148	115	52	28	195	24	24
125	K - FSZ 125 IG5	VA			148	115	52	28	195	24	24
150	K - FSZ 150 IG6	AL	3 01754	31	160	130	56	30	220	33	33
150	K - FSZ 150 IG6	AV			160	130	56	30	220	33	33
150	K - FSZ 150 IG6	VA			160	130	56	30	220	33	33
165	K - FSZ 165 IG6	AL	2 00983	32	188	150	64	36	245	29	29
165	K - FSZ 165 IG6	AV			188	150	64	36	245	29	29
165	K - FSZ 165 IG7	AL	2 00271	32	188	150	64	36	245	29	29
165	K - FSZ 165 IG7	AV			188	150	64	36	245	29	29
205	K - FSZ 205 IG8	AL	2 00286	32	220	186	75	40	280	38	38
205	K - FSZ 205 IG8	AV			220	186	75	40	280	38	38
250	K - FSZ 250 IG10	AL	1 00295	32	278	236	78	42	350	45	45
250	K - FSZ 250 IG10	AV			278	236	78	42	350	45	45

NG = Nominal size  
W = Material  
G = Thread  
GL = Thread length  
Li = Inner diameter  
KA = Cam distance  
D = Diameter

According to **Directive 2014/68/EU for pressure equipment:**

Usable for **hazardous gases and liquids of group 1** up to **10 bar** and up to **DN 100**

For example in pneumatic conveyor systems with combustible dusts etc.

Result of the evaluation of ignition danger acc. to **DIN EN 13463-1:**

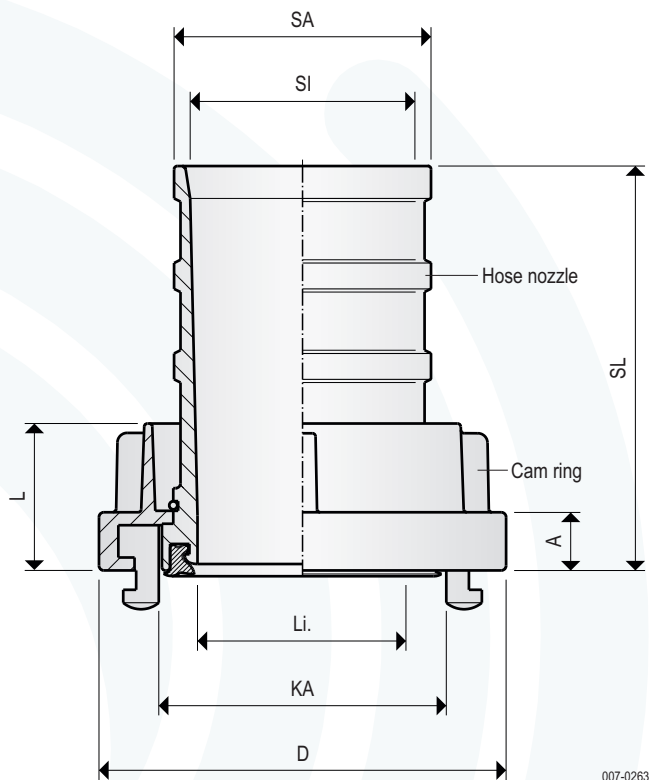
The couplings have no potential source of ignition on their own.

Read and follow by installation and operation the safety instructions KE-SH-01 or KE-SH-03

## Technical data

## Hose couplings „Storz“

### Dimensions



### Technical data

Ambient temperature	-25 °C ... +120 °C
Pressure	-0.9 bar ... 10 bar
Material (W)	AL Aluminium
Last digit	33 Aluminium general Gravity die casting according to DIN 1725 TI 2 Forging according to DIN 1725 TI 1
Seal rings DS*	Nitrile rubber, white * we deliver fundamentally seal rings for high pressure and low pressure (DS)
alternative	VITON, green (please order separate)

### For the version AV

Material (W)	AV Cam part made of wrought alloy AlMgSi Hose nozzle made of 1.4581 / 318 or 1.457X
--------------	--

### For the version VA

Material (W)	VA Coupling complete made of 1.4581 / 318 or 1.457X
--------------	---

**Hose couplings SP** with locking pawl on request

		Ordercode										
Storz	Type	NG	SA	W	ID-Nr.	KA	Li	D	L	A	SL	SI
52	K - SSZ 052 038 AL	66	31.5	98	43	17	90	31.5				
52	K - SSZ 052 038 AV	66	31.5	98	43	17	90	31.5				
52	K - SSZ 052 038 VA	66	31.5	98	43	17	90	31.5				
52	K - SSZ 052 042 AL	66	33	98	43	17	90	36.5				
52	K - SSZ 052 042 AV	66	33	98	43	17	90	36.5				
52	K - SSZ 052 042 VA	66	33	98	43	17	90	36.5				
52	K - SSZ 052 052 AL	66	45	98	43	17	90	45				
52	K - SSZ 052 052 AV	66	45	98	43	17	90	45				
52	K - SSZ 052 052 VA	66	45	98	43	17	90	45				
65	K - SSZ 065 052 AL	81	45	118	34.5	17	90	45				
65	K - SSZ 065 052 AV	81	45	118	34.5	17	90	45				
65	K - SSZ 065 052 VA	81	45	118	34.5	17	90	45				
65	K - SSZ 065 065 AL	81	57	118	34.5	17	100	58				
65	K - SSZ 065 065 AV	81	57	118	34.5	17	100	58				
65	K - SSZ 065 065 VA	81	57	118	34.5	17	100	58				
65	K - SSZ 065 075 AL	81	65	118	34.5	17	100	65				
65	K - SSZ 065 075 AV	81	65	118	34.5	17	100	65				
65	K - SSZ 065 075 VA	81	65	118	34.5	17	100	65				
75	K - SSZ 075 075 AL	89	65	126	45	18	125	65				
75	K - SSZ 075 075 AV	89	65	126	45	18	125	65				
75	K - SSZ 075 075 VA	89	65	126	45	18	125	65				
75	K - SSZ 075 080 AL	89	70	126	45	18	125	70				
75	K - SSZ 075 080 AV	89	70	126	45	18	125	70				
75	K - SSZ 075 080 VA	89	70	126	45	18	125	70				
90	K - SSZ 090 090 AL	105	80	144	45	19	140	80				
90	K - SSZ 090 090 AV	105	80	144	45	19	140	80				
100	K - SSZ 100 100 AL	115	90	155	47	22	150	90				
100	K - SSZ 100 100 AV	115	90	155	47	22	150	90				
100	K - SSZ 100 100 VA	115	90	155	47	22	150	90				
110	K - SSZ 110 100 AL	133	90	180	48	22	170	90				
110	K - SSZ 110 100 AV	133	90	180	48	22	170	90				
110	K - SSZ 110 100 VA	133	90	180	48	22	170	90				
110	K - SSZ 110 110 AL	133	100	180	48	22	170	100				
110	K - SSZ 110 110 AV	133	100	180	48	22	170	100				
110	K - SSZ 110 110 VA	133	100	180	48	22	170	100				
125	K - SSZ 125 125 AL	148	113	195	52	24	196	113				
125	K - SSZ 125 125 AV	148	113	195	52	24	196	113				
125	K - SSZ 125 125 VA	148	113	195	52	24	196	113				
150	K - SSZ 150 150 AL	160	138	220	56	33	180	138				
150	K - SSZ 150 150 AV	160	138	220	56	33	180	138				
150	K - SSZ 150 150 VA	160	138	220	56	33	180	138				
165	K - SSZ 165 150 AL	188	150	245	64	29	275	150				
165	K - SSZ 165 150 AV	188	150	245	64	29	275	150				
165	K - SSZ 165 150 VA	188	150	245	64	29	275	150				
205	K - SSZ 205 205 AL	220	185	280	75	38	375	185				
205	K - SSZ 205 205 AV	220	185	280	75	38	375	185				
205	K - SSZ 205 205 VA	220	185	280	75	38	375	185				
250	K - SSZ 250 260 AL	278	242	350	78	45	400	242				
250	K - SSZ 250 260 AV	278	242	350	78	45	400	242				
250	K - SSZ 250 260 VA	278	242	350	78	45	400	242				

NG = Nominal size  
W = Material  
SA = Hose nozzle-outside-Ø  
SI = Hose nozzle-inside-Ø  
SL = Hose nozzle-length  
G = Thread  
Li = Inner diameter  
KA = Cam distance  
D = Diameter

According to Directive 2014/68/EU for pressure equipment:

Usable for hazardous gases and liquids of group 1 up to 10 bar and up to DN 100

For example in pneumatic conveyor systems with combustible dusts etc.

Result of the evaluation of ignition danger acc. to DIN EN 13463-1:

The couplings have no potential source of ignition on their own.

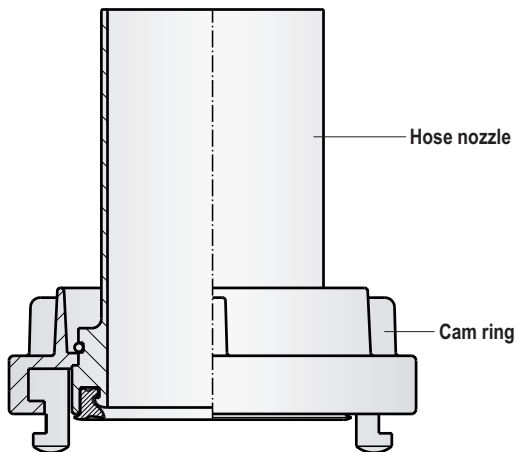
Read and follow by installation and operation the safty instructions KE-SH-01 or KE-SH-03

## Technical data

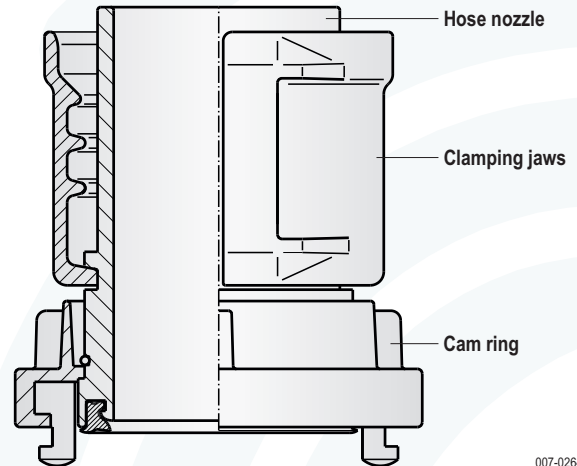
## Hose couplings „Storz“

### Manufacturing details

#### Hose-Couplings Storz 075, with smooth nozzle



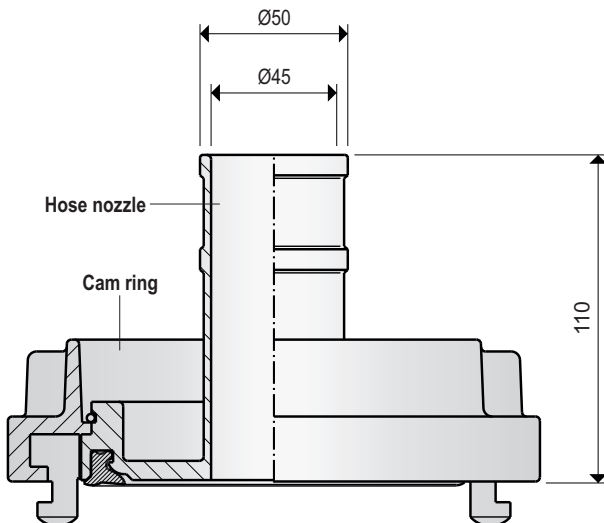
#### Hose-Couplings Storz 075, with smooth nozzle with safty collar for clamping jaws.



007-0264

#### Hose-Couplings Storz 110, nozzle Ø50 mm

for connection of dry air at a silo for the storage of cristal sugar.



#### Hose nozzles and couplings to customer's request

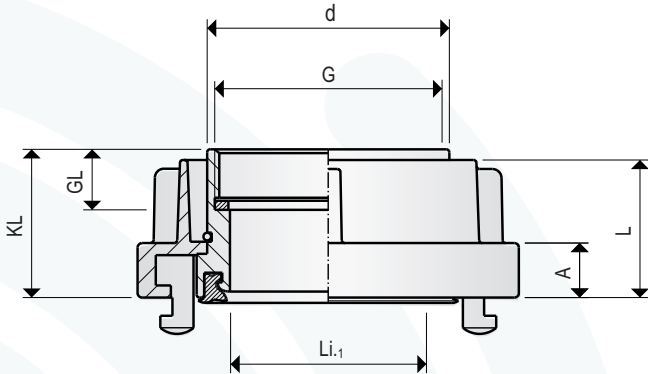
- with any diameter, thick- or thin-walled, inside- or outside-Ø matched individually with the hose-Ø resp. the-Ø of the conveying pipe
- inside conical matching with the hose-Ø and the inside-Ø of the fixed coupling (butt-joint-free pneumatic conveyance)
- with safty collar (collar for clamping jaws)
- outside with grooves for fixation with fittings, plane or with serrated profile
- from all common materials



## Technical data

## Loose couplings „Storz“

### Dimensions



Order code													
Storz	Type	NG	G	W	ID-Nr.	KA	Li <sub>1</sub>	GL	D	A	L	KL	d
52	K - LSZ 052 IG1¼	AL			5 02374 33	66	43	20	98	17.5	32	34	59.5
52	K - LSZ 052 IG1½	AL			5 01958 33	66	43	25	98	17.5	43	61.5	59.5
52	K - LSZ 052 IG1½	AV				66	43	25	98	17.5	43	61.5	59.5
52	K - LSZ 052 IG1½	VA				66	43	25	98	17.5	43	61.5	59.5
52	K - LSZ 052 IG2	AL			4 02691 33	66	44.5	20	98	17	43.5	51.5	68.5
52	K - LSZ 052 IG2	AV				66	44.5	20	98	17	43.5	51.5	68.5
52	K - LSZ 052 IG2	VA			4 04128 46	66	45	20	98	17	43.5	51.5	68.5
75	K - LSZ 075 IG2½	AL			5 01959 33	89	62	20	126	18.5	45	51	82.5
75	K - LSZ 075 IG2½	AV				89	62	20	126	18.5	45	51	82.5
75	K - LSZ 075 IG2½	VA			4 03420 46	89	62	20	126	18.5	45	51	82.5
90	K - LSZ 090 IG3	AL				105	77	20	144	20	43	43	97.5
90	K - LSZ 090 IG3	AV				105	77	20	144	20	43	43	97.5
110	K - LSZ 110 IG4	AL			3 02337 33	133	98	20	180	23	49	60.5	126.5
110	K - LSZ 110 IG4	AV				133	98	20	180	23	49	60.5	126.5
110	K - LSZ 110 IG4	VA				133	98	20	180	23	49	60.5	126.5
125	K - LSZ 125 IG4	AL				148	108	20	195	25	53	53	124
125	K - LSZ 125 IG4	AV				148	108	20	195	25	53	53	124

### Technical data

Ambient temperatur	-25 °C ... +120 °C
Pressure	-0.9 bar ... 10 bar
Material (W)	AL Aluminium
Last digit	33 Aluminium general Gravity die casting according to DIN 1725 TI 2 Forging according to DIN 1725 TI 1
Seal rings DS*	Nitril rubber, white * we deliver fundamentally seal rings for high pressure and low pressure (DS)
alternative	VITON, green (please order separate)

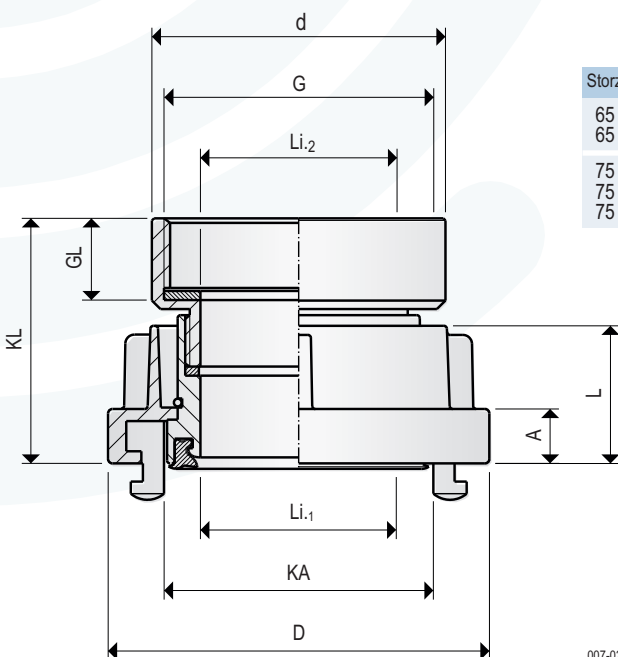
### For the version AV

Material (W)	AV Cam part made of wrought alloy AIMgS product touching parts made of 1.457X
--------------	---

### For the version VA

Material (W)	VA Coupling complete made of 1.4581 / 318 or 1.457X
Last digit	46 1.4581 / 318 or 1.457X

**Loose couplings SP** with locking pawl on request



Order code														
Storz	Type	NG	G	W	ID-Nr.	KA	Li <sub>1</sub>	Li <sub>2</sub>	GL	D	A	L	KL	d
65	K - LSZ 065 IG2½	AL				81	54.5	65	20	118	17.5	34.5	80.5	84.5
65	K - LSZ 065 IG2½	AV				81	54.5	65	20	118	17.5	34.5	80.5	84.5
75	K - LSZ 075 IG3	AL			6 01573 33	89	61	75	20	126	18.5	45	74	98
75	K - LSZ 075 IG3	AV				89	61	75	20	126	18.5	45	74	98
75	K - LSZ 075 IG3	VA				89	61	75	20	126	18.5	45	74	98

NG	= Nominal size
W	= Material
G	= Thread
GL	= Thread length
KL	= Couplings length
Li <sub>1</sub>	= Inner diameter
Li <sub>2</sub>	= Inner diameter
KA	= Cam distance
D	= Diameter
d	= Diameter

According to Directive 2014/68/EU for pressure equipment:

Usable for hazardous gases and liquids of group 1 up to 10 bar and up to DN 100

For example in pneumatic conveyor systems with combustible dusts etc.

Result of the evaluation of ignition danger acc. to DIN EN 13463-1:

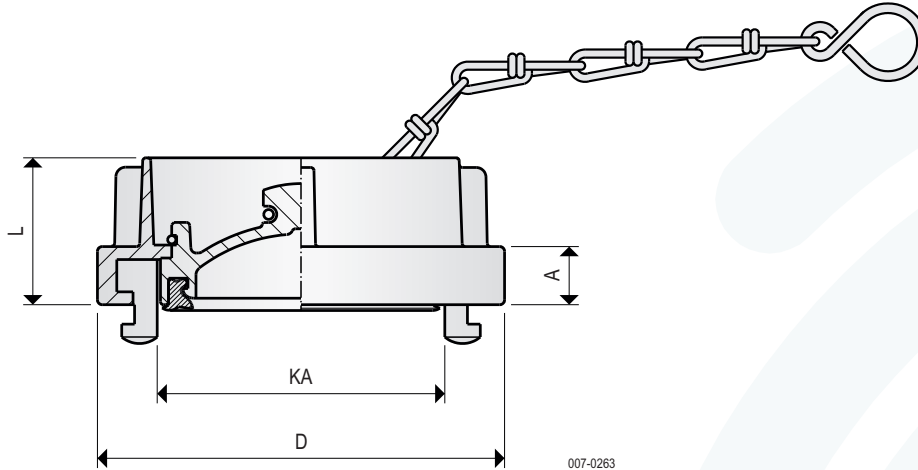
The couplings have no potential source of ignition on their own.

Read and follow by installation and operation the safty instructions KE-SH-01 or KE-SH-03

## Technical data

## Blank caps „Storz“

### Dimensions



007-0263

### Technical data

<b>Ambient temperature</b>	-25 °C ... +120 °C
<b>Pressure</b>	-0.9 bar ... 10 bar
<b>Material</b> (W) AL	Aluminium
<b>Last digit</b> 33	Aluminium general Gravity die casting according to DIN 1725 TI 2 Forging according to DIN 1725 TI 1
<b>Seal rings</b> DS*	Nitrile rubber, white * we deliver fundamentally seal rings for high pressure and low pressure (DS)
alternative	VITON, green (please order separate)

### For the version VA

<b>Material</b> (W) VA	Coupling complete made of 1.4581 / 318 or 1.457X
------------------------	--

### Order code

Storz	Type	NG	W	ID-Nr.	KA	L	D	A
52	K - BSZ 052	AL	4 02476 33	66	43	98	17	17
52	K - BSZ 052	VA		66	43	98	17	17
65	K - BSZ 065	AL	6 01436 33	81	34.5	118	17	17
65	K - BSZ 065	VA		81	34.5	118	17	17
75	K - BSZ 075	AL	6 02897 33	89	45	126	18	18
75	K - BSZ 075	VA		89	45	126	18	18
90	K - BSZ 090	AL	4 02486 33	105	45	144	19	19
90	K - BSZ 090	VA		105	45	144	19	19
100	K - BSZ 100	AL	4 02480 33	115	47	155	22	22
100	K - BSZ 100	VA		115	47	155	22	22
110	K - BSZ 110	AL	6 02898 33	133	48	180	22	22
110	K - BSZ 110	VA		133	48	180	22	22
125	K - BSZ 125	AL	4 02495 33	148	52	195	24	24
125	K - BSZ 125	VA		148	52	195	24	24
150	K - BSZ 150	AL	4 02498 33	160	56	220	33	33
150	K - BSZ 150	VA		160	56	220	33	33
165	K - BSZ 165	AL	4 02500 33	188	64	245	29	29
165	K - BSZ 165	VA		188	64	245	29	29
205	K - BSZ 205	AL	4 02504 33	220	75	280	38	38
205	K - BSZ 205	VA		220	75	280	38	38
250	K - BSZ 250	AL	2 01139 33	278	78	350	45	45
250	K - BSZ 250	VA		278	78	350	45	45

NG = Nominal size  
W = Material  
KA = Cam distance  
D = Diameter

According to **Directive 2014/68/EU for pressure equipment:**

Usable for **hazardous gases and liquids of group 1** up to **10 bar** and up to **DN 100**

For example in pneumatic conveyor systems with combustible dusts etc.

Result of the evaluation of ignition danger acc. to **DIN EN 13463-1:**

The couplings have no potential source of ignition on their own.

Read and follow by installation and operation the safety instructions KE-SH-01 or KE-SH-03