

Swivelling lever

with mechanical or inductive limit switches



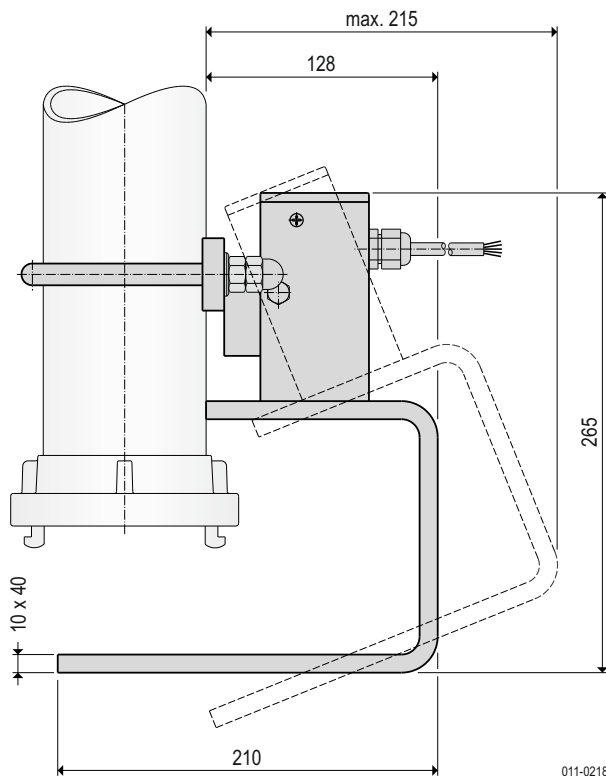
Appliance information

For all pipe couplings
robust and safe against vandalism

Index	Seite
Swivelling lever with limit switch	02
Single parts for swivelling lever	03

Appliance information

Dimensions



011-0218

Mode of operation

- while coupling the counter coupling or hose coupling, the lever is swivelling besides and the limit switch will be actuated
- blank caps don't activate the limit switch
- due to the robust construction a damage of the switch while handling with tools will be prevented
- insensitiveness against dirt

Use

The swivelling lever with integrated limit switch is for signaling that a hose coupling has been coupled at silos or tanks or coupling stations of the heavy industry, construction industry, concrete plants, foundries, glass industry, chemical industry and environmental technologies.

Material

Support jig and swivelling lever Steel, galvanized


ATEX option SES

B0 **Dust**  II 3D Ex tc IIIB T80 °C Dc

ATEX option SIS

B0 **Dust**  II 3D Ex tc IIIB T90 °C Dc

ATEX option SNS

B6 **Gas**  II 2G Ex ia IIB T6...T1 Gb
and
II 2D Ex ia IIIB T135 °C Db

Switch variations

SES- ... E = Limit switch with mechanical contact

Material	Switch	Zn-Al alloy
Switching voltage		10 ... 250 V AC or DC
Switching function		1 NC + 1 NO
Capacity of the contact		1.5 A / 250 V AC
Ambient temperatur		-20 °C ... +60 °C
Type of protection		IP67/IP66 (DIN EN 60529)

SIS- ... I = Inductive limit switch

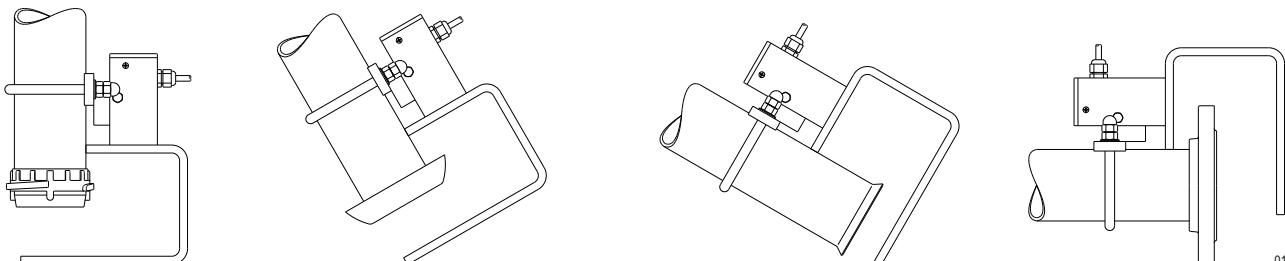
Material	Switch	CuZn, chromium plated
	active surface	LCP
Supply voltage		10 ... 30 V DC
Switching function		PNP, Normally Open (NO)
Load current capacity		200 mA, constant current
Ambient temperature		-20 °C ... +60 °C
Type of protection		IP67/IP66 (DIN EN 60529)

SNS- ... N = Inductive limit switch NAMUR

Material	Switch	PBTP (Polybutylenterephthalat)
Supply voltage		8 V DC
Switching function		Normally Open (NO)
Ambient temperature		-20 °C ... +60 °C
Type of protection		IP68/IP66 (DIN EN 60529)

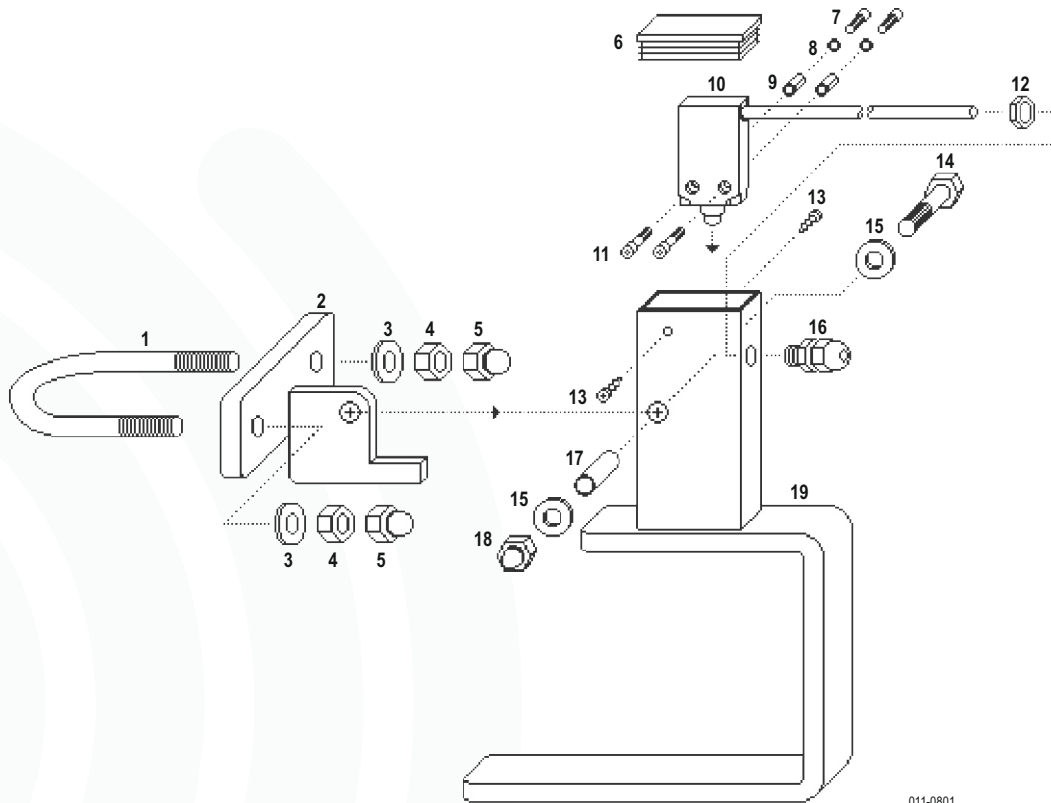
For use at pippings with

Coupling system „Storz“, couplings for tank trailers, cardan couplings, connection cones (UK), flange connections, dry couplings etc.



011-0219

Single parts



011-0801

Item Pcs. Reference

1	1	Round steel shackle
	1	Round steel shackle
	1	Round steel shackle
	1	Round steel shackle
	1	Round steel shackle
2	1	Fixing plate
	1	Fixing plate
	1	Fixing plate
	1	Fixing plate
	1	Fixing plate
3	2	Washer
	2	Washer
4	2	Hexagonal nut
	2	Hexagonal nut
5	2	Hexagon cap nut
	2	Hexagon cap nut
6	1	Plug
7	2	Cylinder head screw
8	2	Snap ring
9	2	Hexagonal nut
10	1	E - Limit switch
	1	I - Limit switch
	1	N - Limit switch
11	2	Cylinder head screw
12	1	Hexagonal nut
13	2	ABC Spax screw
14	1	Hexagon head screw
15	2	Washer
16	1	Screwed cable gland
17	1	Bearing sleeve
18	1	Hexagon cap nut
19	1	Swivelling lever

Order code

for size

3570-065-A0-STV	065
3570-080-A0-STV	080
3570-100-A0-STV	100
3570-125-A0-STV	125
3570-150-A0-STV	150
SES-H065	065
SES-H080	080
SES-H100	100
SES-H125	125
SES-H150	150
0125-12-B00-STV	065 + 080
0125-16-B00-STV	100 + 125 + 150
0934-12-000-STV	065 + 080
0934-16-000-STV	100 + 125 + 150
0986-12-000-STV	065 + 080
0986-16-000-STV	100 + 125 + 150
64286-IF-KST	
0912-04X008-STV	
0127-04-B00-V2A	
0000-04X010-STV	

Order code

Cable length 2 m	Cable length 5 m	Cable length 10 m
KE-XCM-A110-2	KE-XCM-A110-5	KE-XCM-A110-0
KI-XCM-B00E3-5-2		
KN-XCM-NJ4K-5-2	KN-XCM-NJ4K-5-5	KN-XCM-NJ4K-5-0

0912-04X012-STV
50.216-PA-JK
0ABC-04X015-STV
0931-08X040-STV
0125-08-B00-STV
50.616-PA-JK
SES-R030
0986-08-000-STV
SES-S002

Notes

