

Read and follow these safety instructions first



1. Safety instructions

- 1.1 Installation, mounting (fix into hoses), putting into operation, maintenance, removal and repair may be carried out by qualified experienced specialists with knowledge in pressurized piping construction only.
- 1.2 The statutory and other applicable regulations and standards have to be noticed and kept.
- 1.3 The pressure of maximum 10 bar, temperature of maximum +120 °C, the instructions of the
 - > EU-Declaration of conformity EUKE-DG-K100and – if a limit switch is mounted – the instructions of the
 - > Appliance information KE-GI-... resp. the technical datas of the KE-TD-..have to be noticed and kept.
- 1.4 Putting into operation and pressure admission only
 - after correct building-in of the hose coupling into the delivery hose
 - after correct mounting of the coupling with thread at the tube (threaded connection) and if need by fixation with the locating screw
 - with closed coupling connection
- !!! Before pressurize the tubing make sure that the couplings are correct inserted resp. connected and
 - with Storz-couplings
 - is pulled to the limit stop
 - with couplings according to DIN 28 450
 - the clamping ring is tightened firmly and the safety lever is folded down
 - with KAMLOK – couplings
 - both levers are turned down to the coupling
- 1.5 **Disconnect resp. open the coupling connection only when pressure-free.**



ATTENTION ! Danger of injuries

- If loosened and opened in pressurized condition the blank coupling, blank cap resp. closing cover or closing plug will accelerate like a bullet and may cause serious injuries and damages.
- If loosened in pressurized condition the hose will lay about one and may cause serious injuries.

- !!! Before loosen resp. open the coupling connection make sure that the tubing is pressure-free.

Depending on over pressure and hose diameter place suitable warning information.

e.g. **“Loosen only in pressure-free condition”**

- 1.6 If one of the coupling elements is damaged the pressurizing has to be shut off immediately and the tubing resp. hose line is to relieve from any pressure.
 - 1.7 Elements of the coupling should be removed or demounted only in pressure-free condition.
- ▶ !!! For couplings with build-in limit switch take also notice of the safety instructions on the back.

Read and follow these special conditions and safety instructions



2. General safety instructions

- 2.1 The installation, maintenance, initial operation, removal and repair have to be controlled resp. checked by an “authorized person” for explosion protection.
- 2.2 Comply with the requirements of DIN EN 60079-14, DIN EN 60079-17 and DIN EN 1127-1, especially regarding the dust deposits and temperatures and follow the pertinent rules and regulations.



3. Safety Instructions **Gas+Dust** and **hybrid mixtures** for the application of couplings in explosive hazardous areas.

- 3.1 The couplings are allowed to be mounted on tubing
 - when the internal is classified as zone 0 or zone 20 resp. zone 0+20 (hybrid mixtures) or lower
 - when the external area is classified as zone 1 or zone 21 resp. zone 1+21 (hybrid mixtures) or lower
- !!! By attached electrical devices – e.g. limit switches or RFID – systems to recognize the connection – the couplings has to be mounted in the external area just in that zone the electrical devices are classified for.
- 3.2 The coupling has to be constantly conductible connected to the electrically conductive, earthed tubing.
 - If the tubing is not electrically conductive the coupling has to be earthed.
- 3.3 If combustible gases and vapours or combustible dusts with a minimum ignition energy under 3 mJ or a minimum ignition temperature under +300 °C (BAM assessment) were carried inside the coupling resp. by an appliance within zone 0 and/or zone 20 only the stainless steel variants of the product touching parts are permissible.



4. Safety Instructions for the application of limit switches in explosive hazardous areas.

- 4.1 Comply with the electrical connection take notice of the local and statutory rules and regulations and/or the VDE 0100.
- 4.2 Before electrical connection, compare the supply voltage with the details at the data plate.

for the version KE and KI Option B0 **Dust** 

- 4.3 The limit switches can be used in areas classified as zone 22.
- 4.4 A fuse (with max. 4 A) has to be connected in series to the supply voltage.
- 4.5 Protect the signal contacts of the limit switch KE against voltage peaks when inductive loads are connected.

for the version KN **Gas+Dust** 

- 4.6 The limit switches can be used in areas classified as zone 1 and zone 20 or lower.
- 4.7 To keep the intrinsically reliability a certified barrier or a certified isolation amplifier with an intrinsically safe circuit according to the present category has to be connected in series for power limitation.



Notes

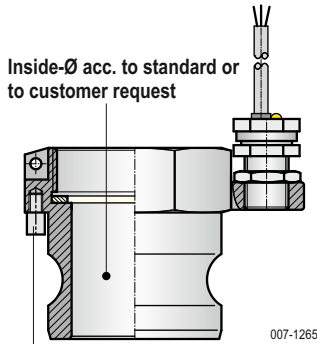
The page contains a large grid for notes, with a faint circular logo watermark on the left side.

Appliance information

Lever couplings with limit switch

Father couplings Camlock

with inside thread (I)



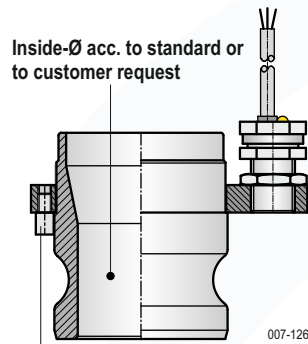
Pin for positioning

Order code				
Type	DN	G	W	KL
KI-AVK025-IG1	VA	2		
KI-AVK032-IG1¼	VA	2		
KI-AVK040-IG1½	VA	2		
KI-AVK050-IG2	VA	2		
KI-AVK065-IG2½	VA	2		
KI-AVK080-IG3	VA	2		
KI-AVK100-IG4	VA	2		

DN = Nominal size
W = Material
KL = Cable length

Father couplings Camlock

with welding end (R)



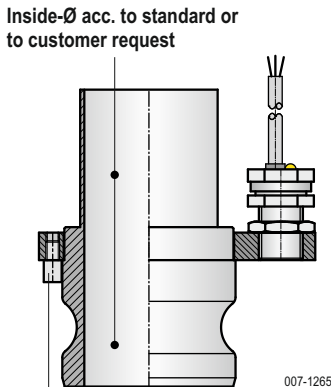
Pin for positioning

Order code				
Type	DN	W	KL	Pipe
KI-AVK025-R-VA	2			33.7x2.6
KI-AVK032-R-VA	2			42.4x2.6
KI-AVK040-R-VA	2			48.3x2.6
KI-AVK050-R-VA	2			60.3x2.9
KI-AVK065-R-VA	2			76.1x2.9
KI-AVK080-R-VA	2			88.9x3.2
KI-AVK100-R-VA	2			114.3x3.6

DN = Nominal size
W = Material
KL = Cable length

Father couplings Camlock

with pipe-connection / hose nipple / welding end (G)



Pin for positioning

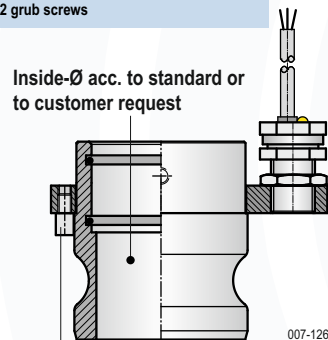
Order code				
Type	DN	Pipe	W	KL
KI-AVK040-G038VA	2	38x1.5		
KI-AVK040-G040VA	2	40x1.5		
KI-AVK050-G050VA	2	50x1.5		
KI-AVK065-G065VA	2	65x1.5		
KI-AVK080-G080VA	2	80x2.0		
KI-AVK100-G100VA	2	100x2.0		

DN = Nominal size
W = Material
KL = Cable length

Father couplings Camlock

with coupling sleeve connection (M)

Use only for suction operation mode
Sealing of pipe with O-ring and fixing with 2 grub screws



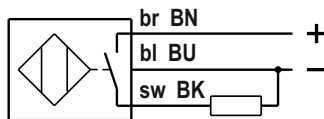
Pin for positioning

Order code				
Type	DN	Pipe	W	KL
KI-AVK040-M038VA	2	38x1.5		
KI-AVK040-M040VA	2	40x1.5		
KI-AVK050-M050VA	2	50x1.5		
KI-AVK065-M065VA	2	65x1.5		
KI-AVK080-M080VA	2	80x2.0		
KI-AVK100-M100VA	2	100x2.0		

DN = Nominal size
W = Material
KL = Cable length

Wiring connection

Cable 3 x 0.34 mm²
Cable length (KL) 2 = 2 m
5 = 5 m
0 = 10 m



Turck BI3U

007-AP01

Technical data

Materials (W) AVK VA = 1.4571 / 316 Ti
Clamp mounting CuZn, nickel plated
Switch CuZn, chromium plated
Active surface PA12-GF30

Mounting position any

Ambient temperature -20 °C ... +60 °C

Supply voltage 10 ... 30 V DC

Load current capacity ≤ 200 mA, constant current

Switching function PNP, Normally open

Type of protection IP68/IP65 acc. to DIN EN 60529

Maintenance none

ATEX option

B0 Dust  II 3D Ex tc IIC T110 °C Dc

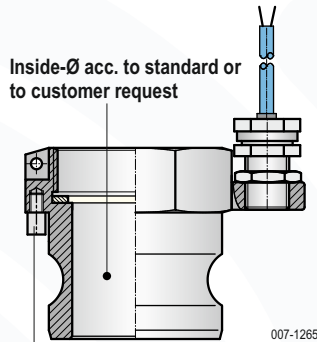
Result of the evaluation of ignition danger acc. to DIN EN ISO 80079-36:
The couplings (without switches) have no potential source of ignition on their own.

Appliance information

Lever couplings with limit switch

Father couplings Camlock

with inside thread (I)



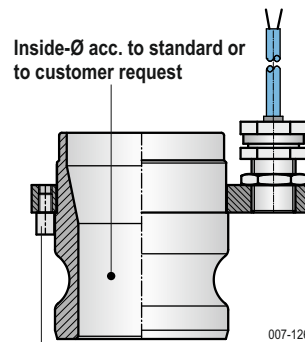
Pin for positioning

Order code				
Type	DN	G	W	KL
KN-AVK025-IG1	VA	2		
KN-AVK032-IG1	¼ VA	2		
KN-AVK040-IG1	½ VA	2		
KN-AVK050-IG2	VA	2		
KN-AVK065-IG2	½ VA	2		
KN-AVK080-IG3	VA	2		
KN-AVK100-IG4	VA	2		

DN = Nominal size
W = Material
KL = Cable length

Father couplings Camlock

with welding end (R)



Pin for positioning

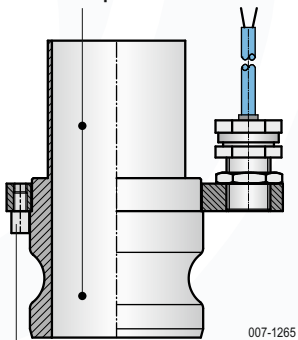
Order code				
Type	DN	W	KL	Pipe
KN-AVK025-R-VA	2			33.7x2.6
KN-AVK032-R-VA	2			42.4x2.6
KN-AVK040-R-VA	2			48.3x2.6
KN-AVK050-R-VA	2			60.3x2.9
KN-AVK065-R-VA	2			76.1x2.9
KN-AVK080-R-VA	2			88.9x3.2
KN-AVK100-R-VA	2			114.3x3.6

DN = Nominal size
W = Material
KL = Cable length

Father couplings Camlock

with pipe-connection / hose nipple / welding end (G)

Inside-Ø acc. to standard or to customer request



Pin for positioning

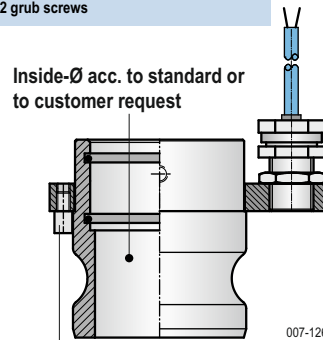
Order code				
Type	DN	Pipe W	KL	Pipe
KN-AVK040-G038VA	2	38x1.5		
KN-AVK040-G040VA	2	40x1.5		
KN-AVK050-G050VA	2	50x1.5		
KN-AVK065-G065VA	2	65x1.5		
KN-AVK080-G080VA	2	80x2.0		
KN-AVK100-G100VA	2	100x2.0		

DN = Nominal size
W = Material
KL = Cable length

Father couplings Camlock

with coupling sleeve connection (M)

Use only for suction operation mode
Sealing of pipe with O-ring and fixing with 2 grub screws



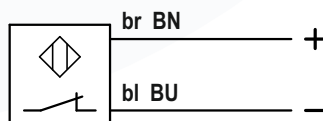
Pin for positioning

Order code				
Type	DN	Pipe W	KL	Pipe
KN-AVK040-M038VA	2	38x1.5		
KN-AVK040-M040VA	2	40x1.5		
KN-AVK050-M050VA	2	50x1.5		
KN-AVK065-M065VA	2	65x1.5		
KN-AVK080-M080VA	2	80x2.0		
KN-AVK100-M100VA	2	100x2.0		

DN = Nominal size
W = Material
KL = Cable length

Wiring connection

Cable 2 x 0.34 mm²
Cable length (KL) 2 = 2 m
5 = 5 m
0 = 10 m



Pepperl+Fuchs NJ4

007-AP03

Technical data

Materials (W) AVK VA = 1.4571 / 316 Ti
Clamp mounting CuZn, nickel plated
Switch PBTP (Polybutylenterephthalat)

Mounting position any

Ambient temperature -25 °C ... +60 °C

Supply voltage 8 V DC (Ri approx. 1 kΩ)

Power consumption activated: ≤ 1 mA
not activated: ≥ 3 mA

Type of protection IP68/IP65 acc. to DIN EN 60529

Maintenance none

ATEX option Gas and Dust and II 2G Ex ia IIC T6...T1 Gb
and II 1D Ex ia IIIC T₂₀₀ 135°C Da

Result of the evaluation of ignition danger acc. to DIN EN ISO 80079-36:
The couplings (without switches) have no potential source of ignition on their own.

Single parts

Lever couplings with limit switch

Father couplings Camlock

inductive limit switch

- KI-BI3U-M12AP-2
- KI-BI3U-M12AP-5
- KI-BI3U-M12AP-0

inductive limit switch NAMUR

- KN-NJ4K-M12-2
- KN-NJ4K-M12-5
- KN-NJ4K-M12-0

Device holder

Type	DN
K-MVK-GHA040	
K-MVK-GHA050	
K-MVK-GHA065	
K-MVK-GHA080	
K-MVK-GHA100	

Clamp mounting with nut

- K-KH-12-2S

with inside thread (I)

Type	DN	G	W
K-AVK025-IG1		GHA-VA	
K-AVK032-IG1¼		GHA-VA	
K-AVK040-IG1½		GHA-VA	
K-AVK050-IG2		GHA-VA	
K-AVK065-IG2½		GHA-VA	
K-AVK080-IG3		GHA-VA	
K-AVK100-IG4		GHA-VA	

with welding end (R)

Type	DN	W	Pipe
K-AVK025-R-VA		33.7x2.6	
K-AVK032-R-VA		42.4x2.6	
K-AVK040-R-VA		48.3x2.6	
K-AVK050-R-VA		60.3x2.9	
K-AVK065-R-VA		76.1x2.9	
K-AVK080-R-VA		88.9x3.2	
K-AVK100-R-VA		114.3x3.6	

with pipe-connection (G)

Type	DN	Pipe W	Pipe
K-AVK040-G038VA		38x1.5	
K-AVK040-G040VA		40x1.5	
K-AVK050-G050VA		50x1.5	
K-AVK065-G065VA		65x1.5	
K-AVK080-G080VA		80x2.0	
K-AVK100-G100VA		100x2.0	

with coupling sleeve (M)

Type	DN	Pipe W	Pipe
K-AVK040-M038VA		38x1.5	
K-AVK040-M040VA		40x1.5	
K-AVK050-M050VA		50x1.5	
K-AVK065-M065VA		65x1.5	
K-AVK080-M080VA		80x2.0	
K-AVK100-M100VA		100x2.0	

0927-05x007-V2A

0916-06x008-V4A

0914-06x010-V4A

007-1265

According to Directive 2014/68/EU for pressure equipment:

Usable for hazardous gases and liquids of group 1 up to 10 bar and up to DN 100

For example in pneumatic conveyor systems with combustible dusts etc.

Couplings depending on the model (see offer or order)

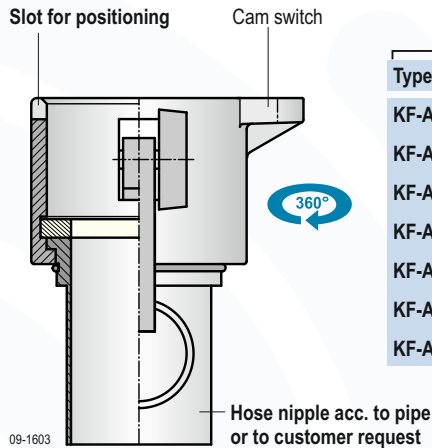
Dimensions according to DIN EN 14420-7 (DIN 2828)

Seal rings depending on the order

Appliance information

Lever couplings with cam switch

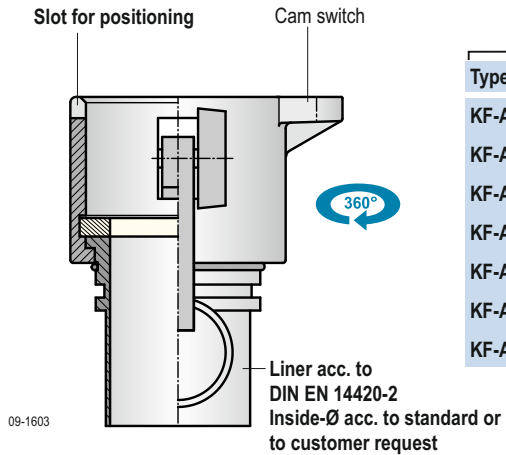
Mother couplings Camlock with hose nipple and turnable lever part (DG)



Order code				
Type	DN	Nipple W	Pipe	
KF-AMK040-DG038VA	38	x1.5		
KF-AMK040-DG040VA	40	x1.5		
KF-AMK050-DG050VA	50	x1.5		
KF-AMK065-DG065VA	65	x1.5		
KF-AMK080-DG075VA	75	x1.5		
KF-AMK080-DG080VA	80	x2.0		
KF-AMK100-DG100VA	100	x2.0		

09-1603

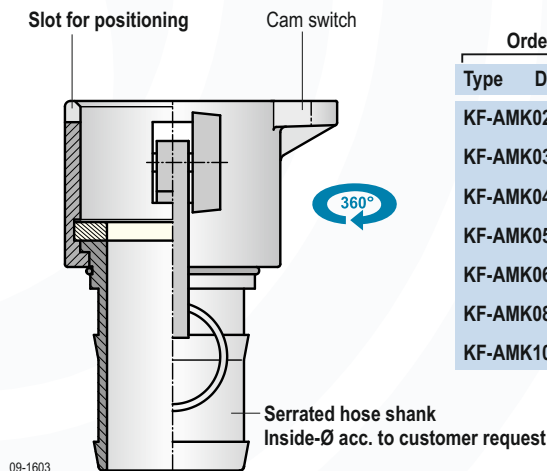
Mother couplings Camlock with liner and turnable lever part (DS)



Order code				
Type	DN	Nipple W	Pipe	
KF-AMK025-DS025VA	25			
KF-AMK032-DS032VA	32			
KF-AMK040-DS038VA	40			
KF-AMK050-DS050VA	50			
KF-AMK065-DS063VA	65			
KF-AMK080-DS075VA	80			
KF-AMK100-DS100VA	100			

09-1603

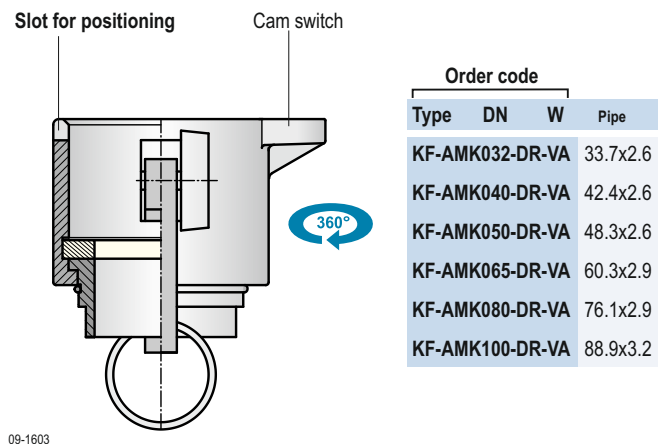
Mother couplings Camlock with serrated hose shank and turnable lever part (DC)



Order code			
Type	DN	Nipple W	
KF-AMK025-DC025VA	25		
KF-AMK032-DC032VA	32		
KF-AMK040-DC038VA	40		
KF-AMK050-DC050VA	50		
KF-AMK065-DC063VA	65		
KF-AMK080-DC075VA	80		
KF-AMK100-DC100VA	100		

09-1603

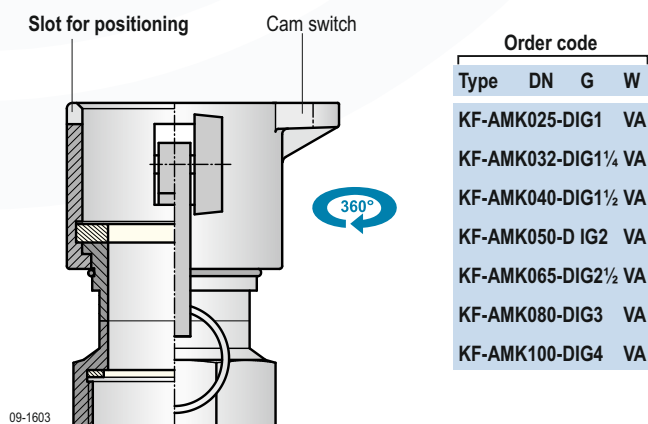
Mother couplings Camlock with welding end and turnable lever part (DR)



Order code			
Type	DN	W	Pipe
KF-AMK032-DR-VA	32	3.7	x2.6
KF-AMK040-DR-VA	40	4.2	x2.6
KF-AMK050-DR-VA	50	4.8	x2.6
KF-AMK065-DR-VA	65	6.0	x2.9
KF-AMK080-DR-VA	80	7.6	x2.9
KF-AMK100-DR-VA	100	8.8	x3.2

09-1603

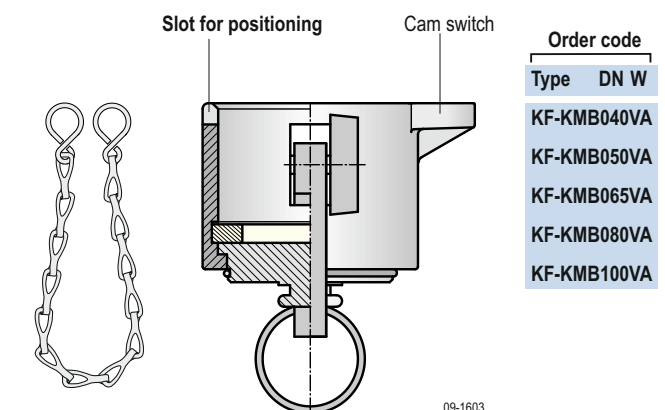
Mother couplings Camlock with inside thread and turnable lever part (DI)



Order code			
Type	DN	G	W
KF-AMK025-DIG1 VA	25	1	
KF-AMK032-DIG1¼ VA	32	1¼	
KF-AMK040-DIG1½ VA	40	1½	
KF-AMK050-D IG2 VA	50	2	
KF-AMK065-DIG2½ VA	65	2½	
KF-AMK080-DIG3 VA	80	3	
KF-AMK100-DIG4 VA	100	4	

09-1603

End cap Camlock KMB with chain and S-hook



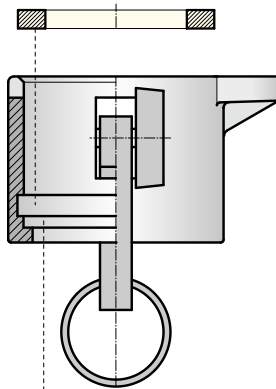
Order code		
Type	DN	W
KF-KMB040VA	40	
KF-KMB050VA	50	
KF-KMB065VA	65	
KF-KMB080VA	80	
KF-KMB100VA	100	

09-1603

Single parts

Lever couplings with cam switch

Mother couplings Camlock



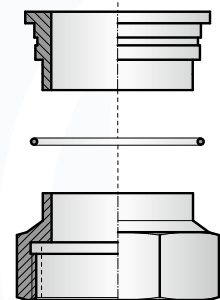
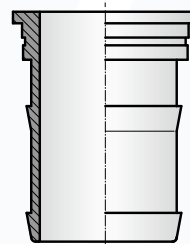
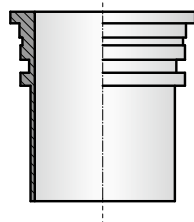
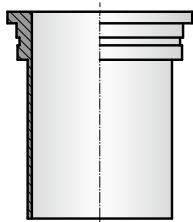
Turnable level part (D)

Type	DN	W
K-AMK025-D-ESF-VA		
K-AMK032-D-ESF-VA		
K-AMK040-D-ESF-VA		
K-AMK050-D-ESF-VA		
K-AMK065-D-ESF-VA		
K-AMK080-D-ESF-VA		
K-AMK100-D-ESF-VA		

Welding end (R)

Type	DN	W	Pipe
K-MK025-DR-VA		33.7x2.6	
K-MK032-DR-VA		42.4x2.6	
K-MK040-DR-VA		48.3x2.6	
K-MK050-DR-VA		60.3x2.9	
K-MK065-DR-VA		76.1x2.9	
K-MK080-DR-VA		88.9x3.2	
K-MK100-DR-VA		114.3x3.6	

09-6031



Hose nipple (G)

Type	DN	Nipple	W	Nipple
K-MK040-DG038VA		38x1.5		
K-MK040-DG040VA		40x1.5		
K-MK050-DG050VA		50x1.5		
K-MK065-DG065VA		65x1.5		
K-MK080-DG075VA		75x1.5		
K-MK080-DG080VA		80x2.0		
K-MK100-DG100VA		100x2.0		

Liner (S)

Type	DN	Nipple	W
K-MK025-DS025VA			
K-MK032-DS032VA			
K-MK040-DS038VA			
K-MK050-DS050VA			
K-MK065-DS063VA			
K-MK080-DS075VA			
K-MK100-DS100VA			

Serrated hose shank (C)

Type	DN	Nipple	W
K-MK025-DC025VA			
K-MK032-DC032VA			
K-MK040-DC038VA			
K-MK050-DC050VA			
K-MK065-DC063VA			
K-MK080-DC075VA			
K-MK100-DC100VA			

Inside thread (I)

Type	DN	G	W
K-MK025-DIG1 VA			
K-MK032-DIG1¼ VA			
K-MK040-DIG1½ VA			
K-MK050-DIG2 VA			
K-MK065-DIG2½ VA			
K-MK080-DIG3 VA			
K-MK100-DIG4 VA			

According to Directive 2014/68/EU for pressure equipment:
Usable for hazardous gases and liquids of group 1 up to 10 bar and up to DN 100
For example in pneumatic conveyor systems with combustible dusts etc.

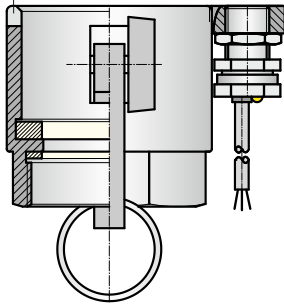
Couplings depending on the model (see offer or order)
Dimensions according to DIN EN 14420-7 (DIN 2828)
Seal rings depending on the order

Appliance information

Lever couplings with limit switch

Mother couplings Camlock with inside thread (I)

Slot for positioning



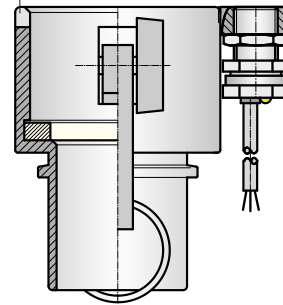
007-1217

Order code				
Type	DN	G	W	KL
KI-AMKI025-IG1	VA		2	
KI-AMKI032-IG1¼	VA		2	
KI-AMKI040-IG1½	VA		2	
KI-AMKI050-IG2	VA		2	
KI-AMKI065-IG2½	VA		2	
KI-AMKI080-IG3	VA		2	
KI-AMKI100-IG4	VA		2	

DN = Nominal size
W = Material
KL = Cable length

Mother couplings Camlock with liner (S)

Slot for positioning



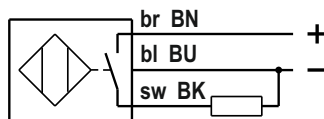
Order code

Type	DN	W	KL
KI-AMKS025	VA	2	
KI-AMKS032	VA	2	
KI-AMKS040	VA	2	
KI-AMKS050	VA	2	
KI-AMKS065	VA	2	
KI-AMKS080	VA	2	
KI-AMKS100	VA	2	

DN = Nominal size
W = Material
KL = Cable length

Wiring connection

Cable 3 x 0.34 mm²
Cable length (KL) 2 = 2 m
5 = 5 m
0 = 10 m



Turck BI3U

007-AP01

Technische Daten

Materials (W) AMK VA = 1.4401 / 316
Clamp mounting CuZn, nickel plated
Switch CuZn, chromium plated
Active surface PA12-GF30

Mounting position any

Ambient temperature -20 °C ... +60 °C

Supply voltage 10 ... 30 V DC

Load current capacity ≤ 200 mA, constant current

Switching function PNP, Normally open

Type of protection IP68/IP65 acc. to DIN EN 60529

Maintenance none

ATEX option

B0 Dust  II 3D Ex tc IIIC T110 °C Dc

Result of the evaluation of ignition danger acc. to DIN EN ISO 80079-36:

The couplings (without switches) have no potential source of ignition on their own.

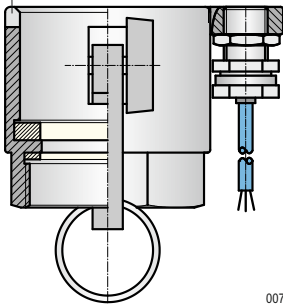
Appliance information

Lever couplings with limit switch

Mother couplings Camlock

with inside thread (I)

Slot for positioning



007-1217

Order code

Type	DN	G	W	KL
KN-AMKI025-IG1	VA	2		
KN-AMKI032-IG1¼	VA	2		
KN-AMKI040-IG1½	VA	2		
KN-AMKI050-IG2	VA	2		
KN-AMKI065-IG2½	VA	2		
KN-AMKI080-IG3	VA	2		
KN-AMKI100-IG4	VA	2		

DN = Nominal size

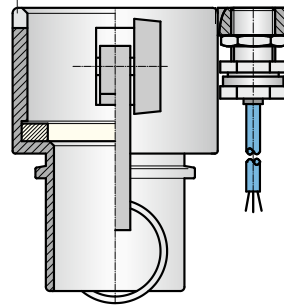
W = Material

KL = Cable length

Mother couplings Camlock

with liner (S)

Slot for positioning



Order code

Type	DN	W	KL
KN-AMKS025	VA	2	
KN-AMKS032	VA	2	
KN-AMKS040	VA	2	
KN-AMKS050	VA	2	
KN-AMKS065	VA	2	
KN-AMKS080	VA	2	
KN-AMKS100	VA	2	

DN = Nominal size

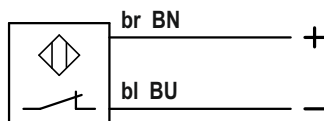
W = Material

KL = Cable length

Wiring connection

Cable 2 x 0.34 mm²

Cable length (KL) 2 = 2 m
5 = 5 m
0 = 10 m



Pepperl+Fuchs NJ4

007-AP03

Technical data

Werkstoffe (W) AMK VA = 1.4401 / 316
Clamp mounting CuZn, nickel plated
Switch PBTP (Polybutylenterephthalat)

Mounting position any

Ambient temperature -25 °C ... +60 °C

Supply voltage 8 V DC (Ri approx. 1 kΩ)

Power consumption activated: ≤ 1 mA
not activated: ≥ 3 mA

Type of protection IP68/IP65 acc. to DIN EN 60529

Maintenance none

ATEX option Gas and Dust **Ex** II 2G Ex ia IIC T6...T1 Gb
and II 1D Ex ia IIC T₂₀₀ 135°C Da

Result of the evaluation of ignition danger acc. to DIN EN ISO 80079-36:
The couplings (without switches) have no potential source of ignition on their own.

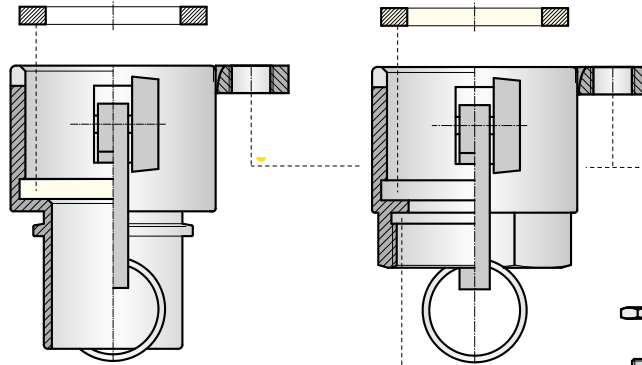
Single parts

Lever couplings with limit switch

Mother couplings Camlock

with liner (S)

Type	DN	W
K-AMKS025GHA-VA		
K-AMKS032GHA-VA		
K-AMKS040GHA-VA		
K-AMKS050GHA-VA		
K-AMKS065GHA-VA		
K-AMKS080GHA-VA		
K-AMKS100GHA-VA		



with inside thread (I)

Type	DN	G	W
K-AMKI025-IG1	GHA-VA		
K-AMKI032-IG1¼	GHA-VA		
K-AMKI040-IG1½	GHA-VA		
K-AMKI050-IG2	GHA-VA		
K-AMKI065-IG2½	GHA-VA		
K-AMKI080-IG3	GHA-VA		
K-AMKI100-IG4	GHA-VA		

Clamp mounting with nut

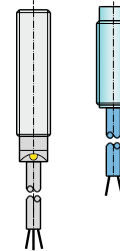
K-KH-12-2S

inductive limit switch

KI-BI3U-M12AP-2

KI-BI3U-M12AP-5

KI-BI3U-M12AP-0



inductive limit switch NAMUR

KN-NJ4K-M12-2

KN-NJ4K-M12-5

KN-NJ4K-M12-0

According to Directive 2014/68/EU for pressure equipment:
Usable for hazardous gases and liquids of group 1 up to 10 bar and up to DN 100
For example in pneumatic conveyor systems with combustible dusts etc.

Couplings depending on the model (see offer or order)
Dimensions according to DIN EN 14420-7 (DIN 2828)
Seal rings depending on the order

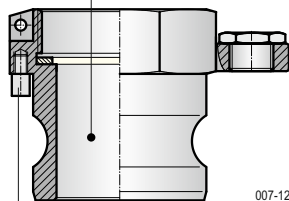
Appliance information

Lever couplings with cam switch

Father couplings Camlock

with inside thread (I)

Inside-Ø acc. to standard or to customer request



007-1265

Pin for positioning

Order code

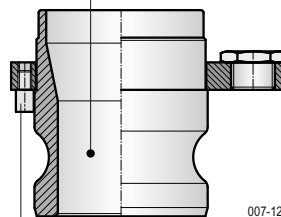
Type	DN	G	W
KF-AVK025-IG1	VA		
KF-AVK032-IG1¼	VA		
KF-AVK040-IG1½	VA		
KF-AVK050-IG2	VA		
KF-AVK065-IG2½	VA		
KF-AVK080-IG3	VA		
KF-AVK100-IG4	VA		

DN = Nominal size
W = Material
VA=1.4571

Father couplings Camlock

with welding end (R)

Inside-Ø acc. to standard or to customer request



007-1265

Pin for positioning

Order code

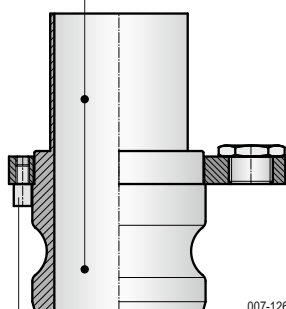
Type	DN	W	Pipe
KF - AVK025 - R-VA			33.7x2.6
KF - AVK032 - R-VA			42.4x2.6
KF - AVK040 - R-VA			48.3x2.6
KF - AVK050 - R-VA			60.3x2.9
KF - AVK065 - R-VA			76.1x2.9
KF - AVK080 - R-VA			88.9x3.2
KF - AVK100 - R-VA			114.3x3.6

DN = Nominal size
W = Material
VA=1.4571

Father couplings Camlock

with pipe-connection / hose nipple / welding end (G)

Inside-Ø acc. to standard or to customer request



007-1265

Pin for positioning

Order code

Type	DN	Pipe W	Pipe
KF-AVK040-G038VA			38x1.5
KF-AVK040-G040VA			40x1.5
KF-AVK050-G050VA			50x1.5
KF-AVK065-G065VA			65x1.5
KF-AVK080-G080VA			80x2.0
KF-AVK100-G100VA			100x2.0

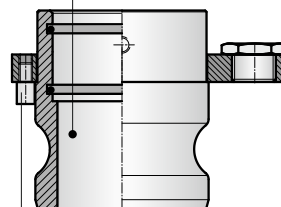
DN = Nominal size
W = Material
VA=1.4571

Father couplings Camlock

with coupling sleeve connection (M)

Use only for suction operation mode
Sealing of pipe with O-ring and fixing with 2 grub screws

Inside-Ø acc. to standard or to customer request



Pin for positioning

Order code

Type	DN	Pipe W	Pipe
KF-AVK040-M038VA			38x1.5
KF-AVK040-M040VA			40x1.5
KF-AVK050-M050VA			50x1.5
KF-AVK065-M065VA			65x1.5
KF-AVK080-M080VA			80x2.0
KF-AVK100-M100VA			100x2.0

DN = Nominal size
W = Material
VA=1.4571

According to Directive 2014/68/EU for pressure equipment:

Usable for hazardous gases and liquids of group 1 up to 10 bar and up to DN 100

For example in pneumatic conveyor systems with combustible dusts etc.

Couplings depending on the model (see offer or order)

Dimensions according to DIN EN 14420-7 (DIN 2828)

Seal rings depending on the order

Single parts

Lever couplings with cam switch

Father couplings Camlock

Device holder

Type	DN
K-MVK-GHA040	
K-MVK-GHA050	
K-MVK-GHA065	
K-MVK-GHA080	
K-MVK-GHA100	

Screw
SK-016X010-VA

0927-05x007-V2A

2 pieces 0914-06x010-V4A

2 pieces 0916-06x008-V4A

007-1265

with inside thread (I)

Type	DN	G	W
K-AVK025-IG1	GHA-VA		
K-AVK032-IG1¼	GHA-VA		
K-AVK040-IG1½	GHA-VA		
K-AVK050-IG2	GHA-VA		
K-AVK065-IG2½	GHA-VA		
K-AVK080-IG3	GHA-VA		
K-AVK100-IG4	GHA-VA		

with welding end (R)

Type	DN	W	Pipe
K-AVK025-R-VA		33.7x2.6	
K-AVK032-R-VA		42.4x2.6	
K-AVK040-R-VA		48.3x2.6	
K-AVK050-R-VA		60.3x2.9	
K-AVK065-R-VA		76.1x2.9	
K-AVK080-R-VA		88.9x3.2	
K-AVK100-R-VA		114.3x3.6	

with pipe-connection (G)

Type	DN	Pipe W	Pipe
K-AVK040-G038VA		38x1.5	
K-AVK040-G040VA		40x1.5	
K-AVK050-G050VA		50x1.5	
K-AVK065-G065VA		65x1.5	
K-AVK080-G080VA		80x2.0	
K-AVK100-G100VA		100x2.0	

with coupling sleeve (M)

Type	DN	Pipe W	Pipe
K-AVK040-M038VA		38x1.5	
K-AVK040-M040VA		40x1.5	
K-AVK050-M050VA		50x1.5	
K-AVK065-M065VA		65x1.5	
K-AVK080-M080VA		80x2.0	
K-AVK100-M100VA		100x2.0	

According to Directive 2014/68/EU for pressure equipment:

Usable for hazardous gases and liquids of group 1 up to 10 bar and up to DN 100

For example in pneumatic conveyor systems with combustible dusts etc.

Couplings

depending on the model (see offer or order)

Dimensions

according to DIN EN 14420-7 (DIN 2828)

Seal rings

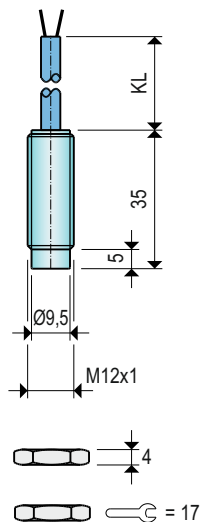
depending on the order

Technical data

Dimensions

KN-NJ4K-M12- .

Brand Pepperl+Fuchs
Type NJ4-12GK-N



007-0253

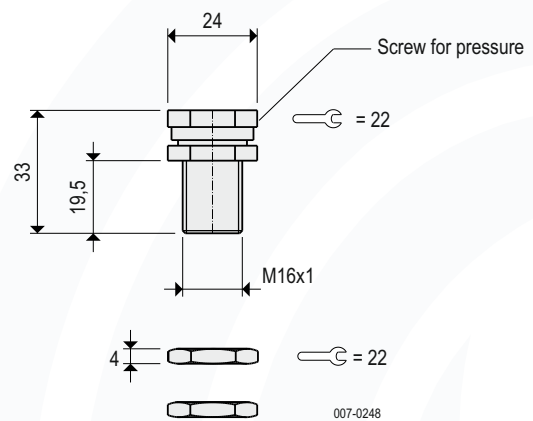
Order code

KN-NJ4K-M12-2 for 2 m cable
KN-NJ4K-M12-5 for 5 m cable
KN-NJ4K-M12-0 for 10 m cable

further technical data you can get under
www.pepperl-fuchs.de

Clamp mounting K-KH-12-2S

Brand BALLUFF
Type KH-12-2S



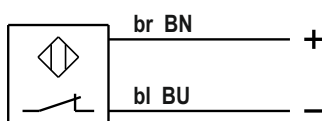
Order code

K-KH-12-2S

further technical data you can get under
www.balluff.de

Wiring connection

Cable 2 x 0.34 mm²
Cable length (KL) 2 = 2 m
5 = 5 m
0 = 10 m



Pepperl+Fuchs NJ2

007-AP03

Technical data

Materials	switch	PBTP (Polybutylenterephthalat)
	clamp mounting	AlMgSi1
Mounting position		any
Ambient temperature		-25 °C ... +60 °C
Nominal voltage		8 V DC (Ri approx. 1 kΩ)
Power consumption	activated:	≤ 1 mA
	not activated:	≥ 3 mA
Type of protection		IP68/IP65 acc. DIN EN 60529
Maintenance		none

ATEX option **Gas** and **Staub**  II 2G Ex ia IIC T6...T1 Gb
and II 1D Ex ia IIIC T₂₀₀ 135°C Da



EU-Konformitätserklärung EU-Declaration of Conformity

Wir/We

MOLLET Füllstandtechnik GmbH

Industriepark RIO 103
D-74706 Osterburken
Tel. 06291 64400 Fax 06291 9846

erklären hiermit, dass die Geräte:

declare that the devices:

Schlauch-Kupplungen mit den elektrischen Betriebsmitteln:
Endschalter, Codeträger, Lesekopf, Lesestation, Expanderkarte
der Typenreihe:

Hose couplings with the electrical equipment:
limit switch, code carrier, read head, read station,
processor unit, expander card of type:

KE ... , KI ... , KN ... ,

KE ... , KI ... , KN ... ,

auf die sich diese Erklärung bezieht, den folgenden Normen
oder normativen Dokumenten entsprechen:

to which this declaration relates is in accordance with
the following standards or other normative documents:

Richtlinie 2014/35/EU (NSR-Richtlinie)
Richtlinie 2014/30/EU (EMV-Richtlinie)

Directive 2014/35/EU (Directive LVD)
Directive 2014/30/EU (Directive EMC)

und

and

DIN EN 61010-1:2020
DIN EN 60529:2014

DIN EN 61010-1:2020
DIN EN 60529:2014

DIN EN IEC 60947-5-2:2021

DIN EN IEC 60947-5-2:2021

Die grundlegenden Sicherheits- und Gesundheitsanforderungen werden erfüllt gemäß den Bestimmungen der Richtlinien und durch Einhaltung der Normen soweit es im Rahmen des Lieferumfanges möglich ist.

The Essential Health and Safety Requirements are assured by compliance with the directive and observance of the normative documents, as far as the scope of delivery allows.

Osterburken, 20. Juni 2022

Osterburken, June 20th 2022



Wolfgang Hageleit

Diese Erklärung darf nur unverändert
weiterverbreitet werden.

This declaration is only allowed to
hand out in unchanged form.



EU-Konformitätserklärung EU-Declaration of Conformity

Wir/We

MOLLET Füllstandtechnik GmbH

Industriepark RIO 103
D-74706 Osterburken
Tel. 06291 64400 Fax 06291 9846

erklären hiermit, dass die Geräte:

declare that the devices:

Schlauch- und Rohr-Kupplungen der Typenreihen:

Hose and pipe couplings of type series:

K... (MOLOScode, MOLOScconnect, MOLOSwitch, MOLOSlOCK)
aus Aluminum, Edelstahl oder Messing

K... (MOLOScode, MOLOScconnect, MOLOSwitch, MOLOSlOCK)
made of aluminum, stainless steel or brass

DN 32 bis DN 100

DN 32 to DN 100

auf die sich diese Erklärung bezieht, den folgenden Normen
oder normativen Dokumenten entsprechen:

to which this declaration relates is in accordance with
the following standards or other normative documents:

Richtlinie 2014/68/EU (Druckgeräte-Richtlinie)

Directive 2014/68/EU (Directive Pressure Equipment)

Die grundlegenden Sicherheits- und Gesundheitsanforderungen werden erfüllt gemäß den Bestimmungen der Richtlinie.

The Essential Health and Safety Requirements are assured by compliance with the directive.

Einstufung:
Druckhaltendes Ausrüstungsteil

Categorization:
Pressure-maintaining components

Mediumeigenschaft nach Artikel 13:
Gruppe 1 - gefährlich

Fluid group acc. to art. 13:
Group 1 - dangerous

Mediumzustand:
gasförmig, flüssig oder staubhaltig, wenn pD >0,5 bar

Condition of fluid:
gaseous, liquid or dusty, if pD >0,5 bar

Angewendetes Konformitätsverfahren:
Modul A

Applied conformity assessment procedures:
Modul A

Diese Konformitätserklärung ist nur gültig in Verbindung mit den aktuellen Sicherheitshinweisen KE-SH- ..

The declaration of conformity is only valid in connection with our current safety instructions KE-SH- ..

Osterburken, 07. Januar 2019

Osterburken, January 7th 2019



Wolfgang Hageleit

Diese Erklärung darf nur unverändert
weiterverbreitet werden.

This declaration is only allowed to
hand out in unchanged form.