

Read and follow these safety instructions first



## 1. Safety instructions

- 1.1 Installation, mounting (fix into hoses), putting into operation, maintenance, removal and repair may be carried out by qualified experienced specialists with knowledge in pressurized piping construction only.
- 1.2 The statutory and other applicable regulations and standards have to be noticed and kept.
- 1.3 The pressure of maximum 10 bar, temperature of maximum +120 °C, the instructions of the  
 > EU-Declaration of conformity EUKE-DG-K100  
 and – if a limit switch is mounted – the instructions of the  
 > Appliance information KE-GI-... resp. the technical datas of the KE-TD-..  
 have to be noticed and kept.
- 1.4 Putting into operation and pressure admission only
- after correct building-in of the hose coupling into the delivery hose
  - after correct mounting of the coupling with thread at the tube (threaded connection) and if need by fixation with the locating screw
  - with closed coupling connection
- !!! Before pressurize the tubing make sure that the couplings are correct inserted resp. connected and
- with Storz-couplings
- is pulled to the limit stop
- with couplings according to DIN 28 450
- the clamping ring is tightened firmly and the safety lever is folded down
- with KAMLOK – couplings
- both levers are turned down to the coupling
- 1.5 **Disconnect resp. open the coupling connection only when pressure-free.**



### ATTENTION ! Danger of injuries

- If loosened and opened in pressurized condition the blank coupling, blank cap resp. closing cover or closing plug will accelerate like a bullet and may cause serious injuries and damages.
- If loosened in pressurized condition the hose will lay about one and may cause serious injuries.

- !!! Before loosen resp. open the coupling connection make sure that the tubing is pressure-free.

Depending on over pressure and hose diameter place suitable warning information.

e.g. **“Loosen only in pressure-free condition”**

- 1.6 If one of the coupling elements is damaged the pressurizing has to be shut off immediately and the tubing resp. hose line is to relieve from any pressure.
- 1.7 Elements of the coupling should be removed or demounted only in pressure-free condition.
- ▶ !!! For couplings with build-in limit switch take also notice of the safety instructions on the back.

Read and follow these special conditions and safety instructions



## 2. General safety instructions

- 2.1 The installation, maintenance, initial operation, removal and repair have to be controlled resp. checked by an “authorized person” for explosion protection.
- 2.2 Comply with the requirements of DIN EN 60079-14, DIN EN 60079-17 and DIN EN 1127-1, especially regarding the dust deposits and temperatures and follow the pertinent rules and regulations.



## 3. Safety Instructions **Gas+Dust** and **hybrid mixtures** for the application of couplings in explosive hazardous areas.

- 3.1 The couplings are allowed to be mounted on tubing
  - when the internal is classified as zone 0 or zone 20 resp. zone 0+20 (hybrid mixtures) or lower
  - when the external area is classified as zone 1 or zone 21 resp. zone 1+21 (hybrid mixtures) or lower
- !!! By attached electrical devices – e.g. limit switches or RFID – systems to recognize the connection – the couplings has to be mounted in the external area just in that zone the electrical devices are classified for.
- 3.2 The coupling has to be constantly conductible connected to the electrically conductive, earthed tubing.
  - If the tubing is not electrically conductive the coupling has to be earthed.
- 3.3 If combustible gases and vapours or combustible dusts with a minimum ignition energy under 3 mJ or a minimum ignition temperature under +300 °C (BAM assessment) were carried inside the coupling resp. by an appliance within zone 0 and/or zone 20 only the stainless steel variants of the product touching parts are permissible.



## 4. Safety Instructions for the application of limit switches in explosive hazardous areas.

- 4.1 Comply with the electrical connection take notice of the local and statutory rules and regulations and/or the VDE 0100.
- 4.2 Before electrical connection, compare the supply voltage with the details at the data plate.

for the version KE and KI Option B0 **Dust** 

- 4.3 The limit switches can be used in areas classified as zone 22.
- 4.4 A fuse (with max. 4 A) has to be connected in series to the supply voltage.
- 4.5 Protect the signal contacts of the limit switch KE against voltage peaks when inductive loads are connected.

for the version KN **Gas+Dust** 

- 4.6 The limit switches can be used in areas classified as zone 1 and zone 20 or lower.
- 4.7 To keep the intrinsically reliability a certified barrier or a certified isolation amplifier with an intrinsically safe circuit according to the present category has to be connected in series for power limitation.



---

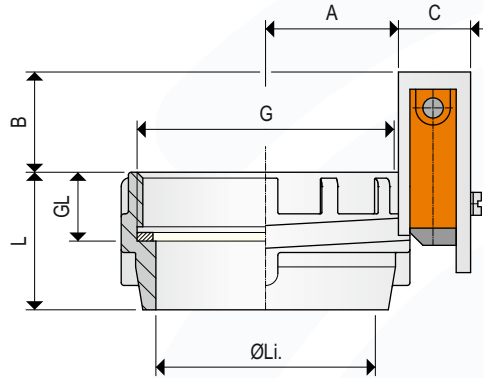
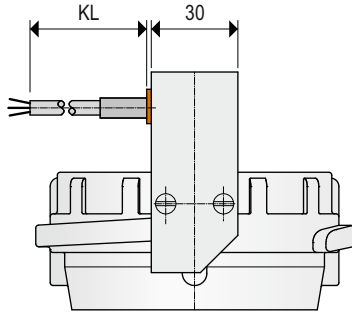
## Notes

---

The page contains a large grid for notes. On the left side, there is a faint, large watermark of the Mollet logo, which consists of several concentric, slightly curved lines forming a circular shape.

## Appliance information

### Dimensions



007-0208

Order code

Type	NG	G	W	KL	Li.	L	GL	A	B	C
KI - VK 080	IG3	AL	3	3	76	47	24.5	45.7	35	25
KI - VK 100	IG4	MS	3	3	95	47	24.5	58.5	35	30

NG = Nominal size  
G = Thread  
W = Material  
KL = Cable length  
Li. = Inner diameter

According to Directive 2014/68/EU for pressure equipment:  
Usable for hazardous gases and liquids of group 1 up to 10 bar and up to DN 100

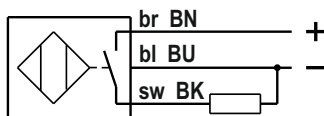
For example in pneumatic conveyor systems with combustible dusts etc.

Result of the evaluation of ignition danger acc. to DIN EN ISO 80079-36:  
The couplings (without switches) have no potential source of ignition on their own.

Seal ring depending on type and acc. to data sheet KE-GI-11.

### Wiring connection

Cable 3 x 0.34 mm<sup>2</sup>  
Cable length (KL) 3 = 3 m  
5 = 5 m  
0 = 10 m



BALLUFF 356

007-AP01

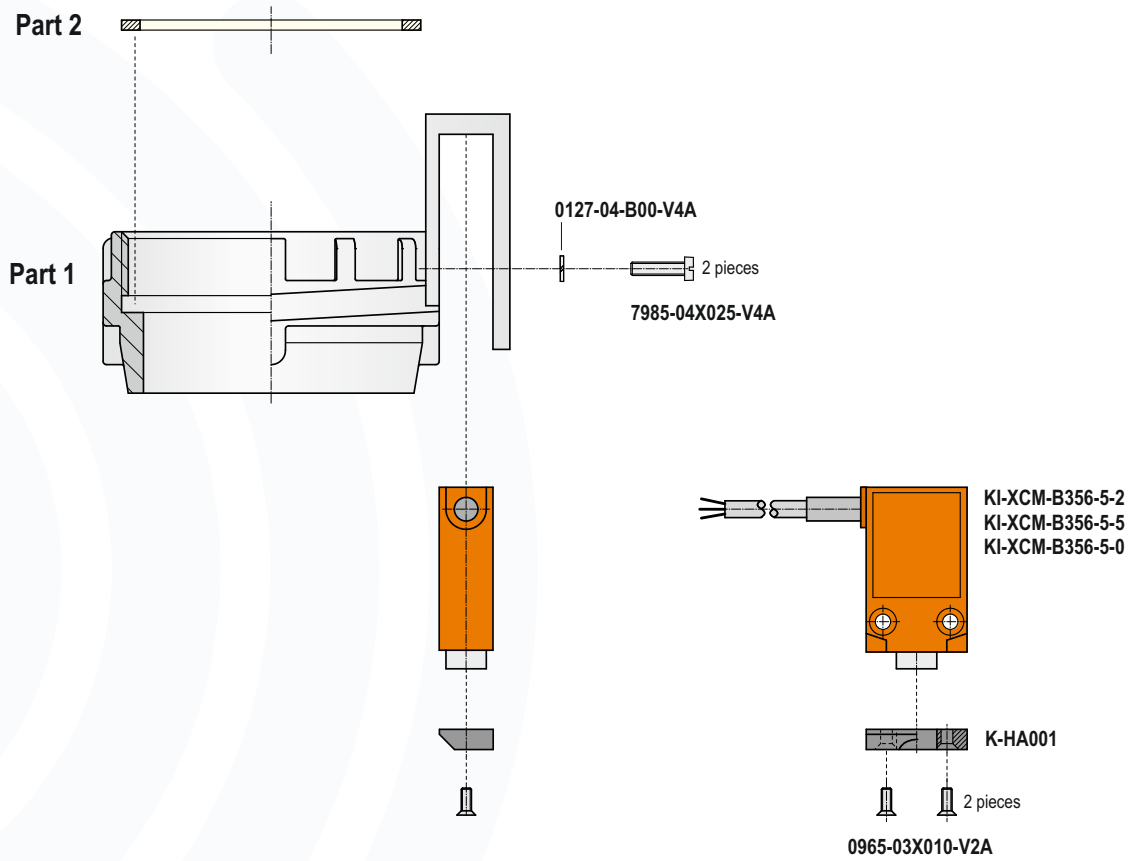
### Technical data

<b>Materials</b>	(W)	AL = Aluminium MS = Brass VA = 1.4408 / 316
	Switch active surface	CuZn, nickel plated PBT
<b>Mounting position</b>		any
<b>Ambient temperature</b>		-20 °C ... +60 °C
<b>Supply voltage</b>		10 ... 30 V DC
<b>Load current capacity</b>		≥ 130 mA, constant current
<b>Switching function</b>		PNP, Normally open
<b>Type of protection</b>		IP68/IP65 acc. to DIN EN 60529
<b>Maintenance</b>		none

ATEX option

B0 **Dust**  II 3D Ex tc IIIB T90 °C Dc

**Single parts**



007-0209

Order code Part 1

	NG	G	W	
K - FVK 080	IG3	AL	E	
K - FVK 080	IG3	MS	E	
K - FVK 080	IG3	VA	E	
K - FVK 100	IG4	MS	E	
K - FVK 100	IG4	VA	E	

Order code Part 2

Seal ring	Material
K-TWIG3DRG-PU	Polyurethan, blue
K-TWIG3DRG-PU	Polyurethan, blue
K-TWIG3DRG-PT	PTFE, white
K-TWIG4DRG-PU	Polyurethan, blue
K-TWIG4DRG-PT	PTFE, white

NG = Nominal size  
G = Thread  
W = Material

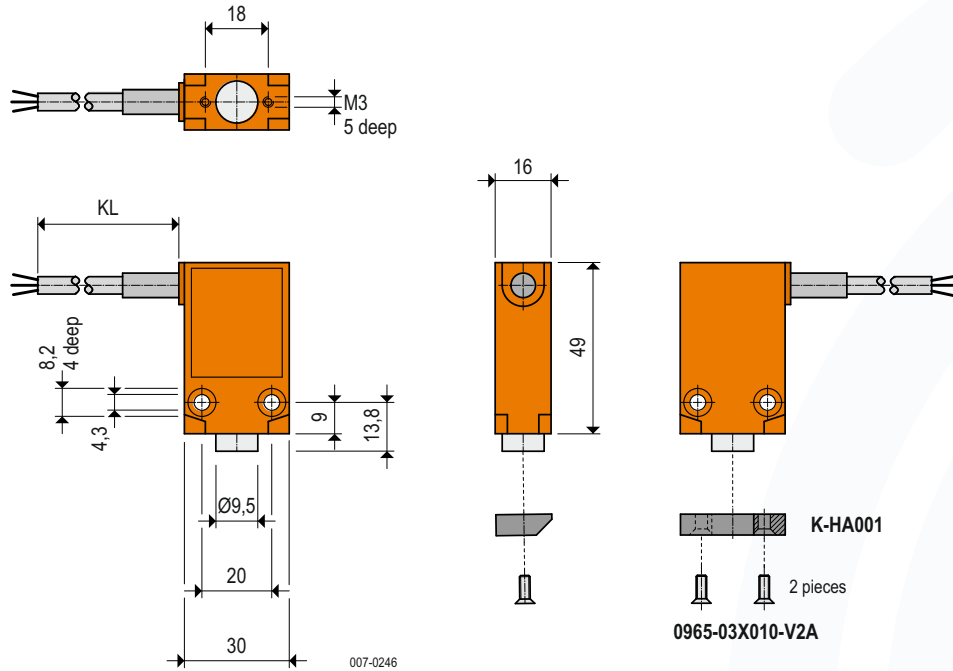
incl. seal ring

Materials (W) AL = Aluminium  
MS = Brass  
VA = 1.4408 / 316

## Technical data

### Dimensions

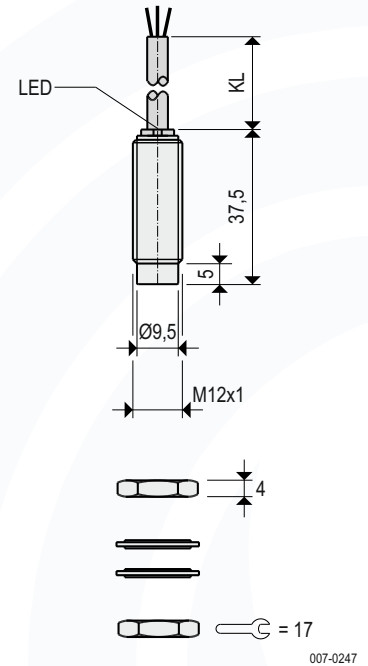
#### KI-XCM-B356-5- .



Order code	
KI-XCM-B356-5-2	for 2 m cable
KI-XCM-B356-5-5	for 5 m cable
KI-XCM-B356-5-0	for 10 m cable

#### KI-B516-356E4- .

Brand BALLUFF  
Type BES 516-356-E4-...

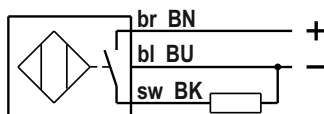


Order code	
KI-B516-356E4-2	for 2 m cable
KI-B516-356E4-5	for 5 m cable
KI-B516-356E4-0	for 10 m cable

further technical data you can get under  
[www.balluff.de](http://www.balluff.de)

### Wiring connection

Cable 3 x 0.34 mm<sup>2</sup>  
Cable length (KL) 2 = 2 m  
5 = 5 m  
0 = 10 m



BALLUFF 356

007-AP01

### Technical data

Materials	switch active surface	CuZn, nickel plated PBT
	Housing	Zn-Al alloy
Varnish coating		red
Mounting position		any
Ambient temperature		-20 °C ... +60 °C
Supply voltage		10 ... 30 V DC
Load current capacity		≤ 200 mA, constant current
Switching function		PNP, Normally open
Type of protection		<b>IP68/IP65</b> acc. to DIN EN 60529
Maintenance		none

ATEX option

B0 **Dust** **Ex** II 3D Ex tc IIIB T90 °C Dc

# EU-Konformitätserklärung EU-Declaration of Conformity

Wir/We

**MOLLET Füllstandtechnik GmbH**

Industriepark RIO 103  
D-74706 Osterburken  
Tel. 06291 64400 Fax 06291 9846

erklären hiermit, dass die Geräte:

declare that the devices:

## Induktive Näherungsschalter

## Inductive limit switch

Typ **KI-XCM-B356-5-.B0, KI-B516-356E4-.B0**  
**KI-B516-325-E4-.B0,**  
**KI-XCM-B3019-5-.B0, KI-B516-3019E-.B0**

Type **KI-XCM-B356-5-.B0, KI-B516-356E4-.B0**  
**KI-B516-325-E4-.B0,**  
**KI-XCM-B3019-5-.B0, KI-B516-3019E-.B0**

auf die sich diese Erklärung bezieht, den folgenden Normen oder normativen Dokumenten entsprechen:

to which this declaration relates is in accordance with the following standards or other normative documents:

**Richtlinie 2014/34/EU** (Explosionsschutz-Richtlinie)  
**Richtlinie 2014/30/EU** (EMV-Richtlinie)

**Directive 2014/34/EU** (Directive ATEX)  
**Directive 2014/30/EU** (Directive EMC)

und

and

**DIN EN IEC 60079-0:2019,**  
**DIN EN 60079-31:2014,**

**DIN EN IEC 60079-0:2019**  
**DIN EN 60079-31:2014**

**EN 60947-5-2:2007/A1:2012**

**EN 60947-5-2:2007/A1:2012**

Die grundlegenden Sicherheits- und Gesundheitsanforderungen werden erfüllt gemäß den Bestimmungen der Richtlinien und durch Einhaltung der Normen.

The Essential Health and Safety Requirements are assured by compliance with the directive and observance of the normative documents.

Prüfprotokollnummer

**ATEX-PP-05-914**

Test report number

Osterburken, den 20.06.2022

Osterburken, June 20th 2022



**Wolfgang Hageleit**  
Geschäftsführer / Managing director

Diese Erklärung darf nur unverändert weiterverbreitet werden.

This declaration is only allowed to hand out in unchanged form.



# EU-Konformitätserklärung EU-Declaration of Conformity

Wir/We

**MOLLET Füllstandtechnik GmbH**

Industriepark RIO 103  
D-74706 Osterburken  
Tel. 06291 64400 Fax 06291 9846

erklären hiermit, dass die Geräte:

declare that the devices:

**Schlauch- und Rohr-Kupplungen** der Typenreihen:

**Hose and pipe couplings** of type series:

**K...** (MOLOScode, MOLOScconnect, MOLOSwitch, MOLOSlOCK)  
aus Aluminum, Edelstahl oder Messing

**K...** (MOLOScode, MOLOScconnect, MOLOSwitch, MOLOSlOCK)  
made of aluminum, stainless steel or brass

**DN 32 bis DN 100**

**DN 32 to DN 100**

auf die sich diese Erklärung bezieht, den folgenden Normen  
oder normativen Dokumenten entsprechen:

to which this declaration relates is in accordance with  
the following standards or other normative documents:

**Richtlinie 2014/68/EU** (Druckgeräte-Richtlinie)

**Directive 2014/68/EU** (Directive Pressure Equipment)

Die grundlegenden Sicherheits- und Gesundheitsanforderungen werden erfüllt gemäß den Bestimmungen der Richtlinie.

The Essential Health and Safety Requirements are assured by compliance with the directive.

Einstufung:  
**Druckhaltendes Ausrüstungsteil**

Categorization:  
**Pressure-maintaining components**

Mediumeigenschaft nach Artikel 13:  
**Gruppe 1 - gefährlich**

Fluid group acc. to art. 13:  
**Group 1 - dangerous**

Mediumzustand:  
**gasförmig, flüssig oder staubhaltig, wenn pD >0,5 bar**

Condition of fluid:  
**gaseous, liquid or dusty, if pD >0,5 bar**

Angewendetes Konformitätsverfahren:  
**Modul A**

Applied conformity assessment procedures:  
**Modul A**

Diese Konformitätserklärung ist nur gültig in Verbindung mit den aktuellen Sicherheitshinweisen KE-SH- ..

The declaration of conformity is only valid in connection with our current safety instructions KE-SH- ..

Osterburken, 07. Januar 2019

Osterburken, January 7th 2019



Wolfgang Hageleit

Diese Erklärung darf nur unverändert  
weiterverbreitet werden.

This declaration is only allowed to  
hand out in unchanged form.