

## Read and follow these safety instructions first

### 1. Safety instructions

- 1.1 Installation, mounting (fix into hoses), putting into operation, maintenance, removal and repair may be carried out by qualified experienced specialists with knowledge in pressurized piping construction only.
- 1.2 The statutory and other applicable regulations and standards have to be noticed and kept.
- 1.3 The pressure of maximum 10 bar, temperature of maximum +120 °C, the instructions of the  
> **EU-Declaration of conformity EUKE-DG-K100**  
and – if a limit switch is mounted – the instructions of the  
> **Appliance information KE-GI-... resp. the technical datas of the KE-TD-..**  
have to be noticed and kept.
- 1.4 Putting into operation and pressure admission only
- after correct building-in of the hose coupling into the delivery hose
  - after correct mounting of the coupling with thread at the tube (threaded connection) and if need by fixation with the locating screw
  - with closed coupling connection
- !!! Before pressurize the tubing make sure that the couplings are correct inserted resp. connected and
- with Storz-couplings
- is pulled to the limit stop
- with couplings according to DIN 28 450
- the clamping ring is tightened firmly and the safety lever is folded down
- with KAMLOK – couplings
- both levers are turned down to the coupling
- 1.5 **Disconnect resp. open the coupling connection only when pressure-free.**



#### **ATTENTION ! Danger of injuries**

- If loosened and opened in pressurized condition the blank coupling, blank cap resp. closing cover or closing plug will accelerate like a bullet and may cause serious injuries and damages.
- If loosened in pressurized condition the hose will lay about one and may cause serious injuries.

- !!! Before loosen resp. open the coupling connection make sure that the tubing is pressure-free.

Depending on over pressure and hose diameter place suitable warning information.

e.g. **“Loosen only in pressure-free condition”**

- 1.6 If one of the coupling elements is damaged the pressurizing has to be shut off immediately and the tubing resp. hose line is to relieve from any pressure.

- 1.7 Elements of the coupling should be removed or demounted only in pressure-free condition.

- ▶ !!! For couplings with build-in limit switch take also notice of the safety instructions on the back.

Read and follow these safety instructions first.

## **2. Safety instructions**

for couplings with built-in limit switch

- 2.1 The installation, initial operation and maintenance may be done by a qualified expert with electrical know-how only.
- 2.2 Comply with the electrical connection take notice of the local and statutory rules and regulations and/or the VDE 0100.
- 2.3 Before electrical connection, compare the supply voltage with the details at the data plate.

for the version KE - ...

- 2.4 A fuse (with max. 4 A) has to be connected in series to the voltage supply.
- 2.5 Protect the signal contacts from voltage peaks when inductive loads are connected.

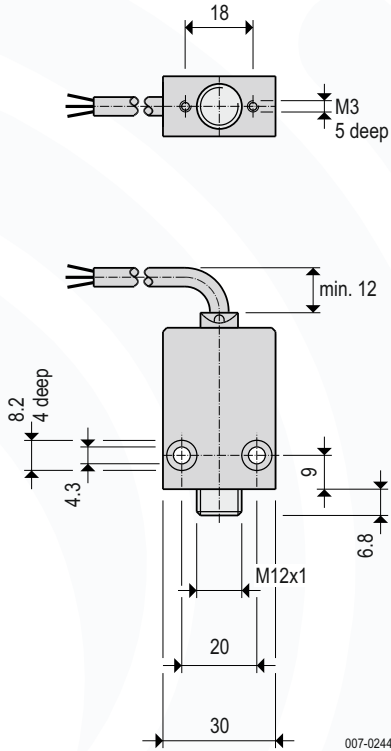
for the version KI - ...

- 2.6 A fuse (with max. 4 A) has to be connected in series to the voltage supply.

## Technical data

### Dimensions

KI-XBK-BI3U-7- .

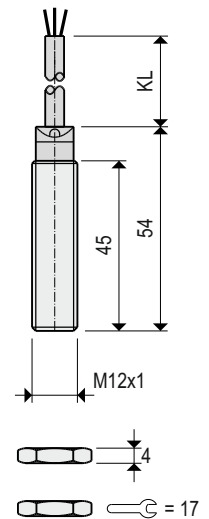
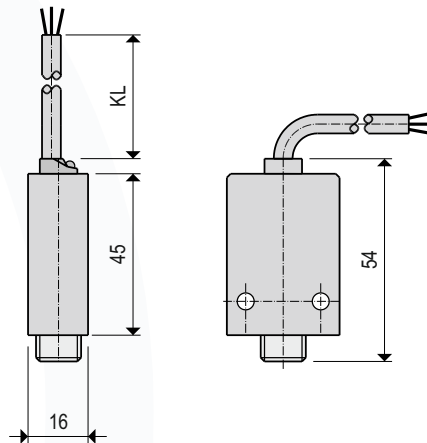


**Order code**

KI-XBK-BI3U-7-2	for 2 m cable
KI-XBK-BI3U-7-5	for 5 m cable
KI-XBK-BI3U-7-0	for 10 m cable

KI-BI3U-M12AP- .

Brand TURCK  
Type BI3U-M12-AP6X  
Ident-no. 16 341 00



**Order code**

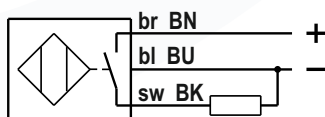
KI-BI3U-M12AP-2	for 2 m cable
KI-BI3U-M12AP-5	for 5 m cable
KI-BI3U-M12AP-0	for 10 m cable

007-0245

further technical data you can get under  
[www.turck.de](http://www.turck.de)

### Wiring connection

Cable 3 x 0.34 mm<sup>2</sup>  
Cable length (KL) 2 = 2 m  
5 = 5 m  
0 = 10 m



TURCK BI3U

007-AP01

### Technical data

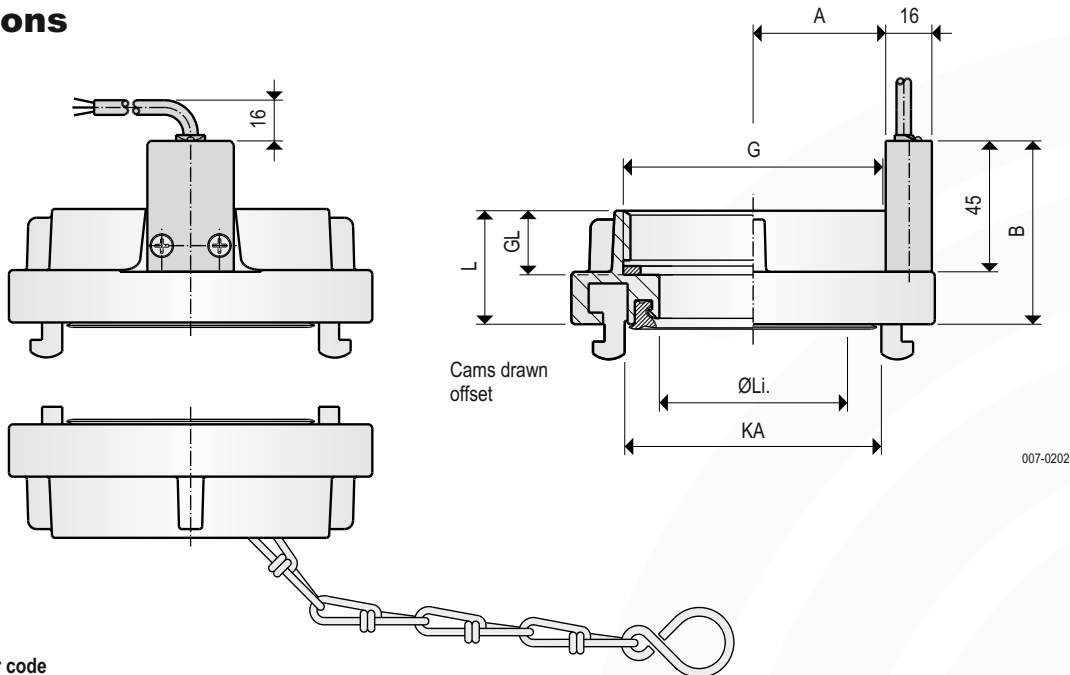
Materials	switch active surface	CuZn, chromium plated PA12-GF30
	clamp mounting	AlMgSi1
Mounting position		any
Ambient temperature		-20 °C ... +60 °C
Supply voltage		10 ... 30 V DC
Load current capacity		≤ 200 mA, constant current
Switching function		PNP, Normally open
Type of protection		IP68/IP65 acc. to DIN EN 60529
Maintenance		none

ATEX option

B0 **Dust**  II 3D Ex tc IIIC T110 °C Dc

## Appliance information

### Dimensions



Order code

Type	NG	G	W	KL	M	KA	Li.	L	GL	A	B
KI - SZ 052	IG2	AL	2	M2		66	44,5	40	20	32	62
KI - SZ 065	IG2	AL	2	M2		81	45	37	20	42	62
KI - SZ 065	IG2½	AL	2	M2		81	58	52	20	42	62
KI - SZ 075	IG2	AL	2	M2		89	50	38	20	42	63
KI - SZ 075	IG2½	AL	2	M2		89	64,5	42	20	42	63
KI - SZ 075	IG3	AL	2	M2		89	64,5	39	22	45	63
KI - SZ 090	IG3	AL	2	M2		105	78	40	22	50	64
KI - SZ 100	IG4	AL	2	M2		115	89,5	47	25	50	67
KI - SZ 110	IG4	AL	2	M2		133	100	48	25	68	67
KI - SZ 110	IG4½	AL	2	M2		133	100	48	25	68	67
KI - SZ 125	IG5	AL	2	M2		148	115	52	28	75	70
KI - SZ 150	IG6	AL	2	M2		160	130	60	30	85	71

We deliver fundamentally with white DS-Seal rings, for high pressure and low pressure. (acc. to KE-TD-11)

- NG = Nominal size
- G = Thread
- W = Material
- KL = Cable length
- KA = Lug distance
- Li. = Inner diameter
- M = Lugs removed

According to Directive 2014/68/EU for pressure equipment:

Usable for hazardous gases and liquids of group 1 up to 10 bar and up to DN 100

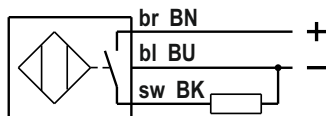
For example in pneumatic conveyor systems with combustible dusts etc.

Result of the evaluation of ignition danger acc. to DIN EN ISO 80079-36:

The couplings (without switches) have no potential source of ignition on their own.

### Wiring connection

- Cable 3 x 0.34 mm<sup>2</sup>
- Cable length (KL) 2 = 2 m
- 5 = 5 m
- 0 = 10 m



TURCK BI3U

007-AP01

### Technical data

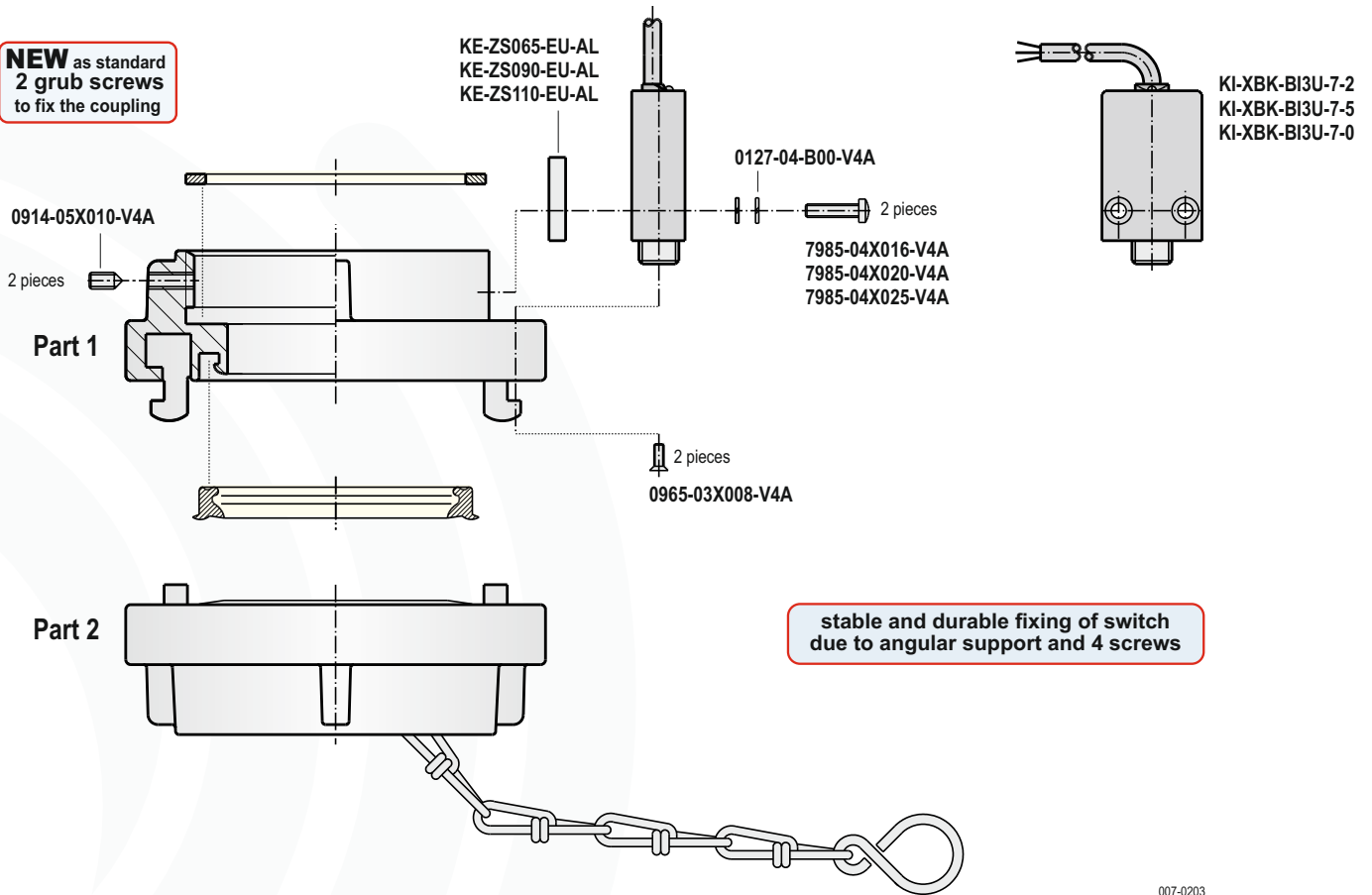
- Materials** (W) AL = Aluminium  
AV = Aluminium/1.4581 / 318 or 1.457X  
MS = Brass  
VA = 1.4581 / 318 or 1.457X
- Switch active surface** CuZn, chromium plated  
PA12-GF30
- Mounting position** any
- Ambient temperature** -20 °C ... +60 °C
- Supply voltage** 10 ... 30 V DC
- Load current capacity** ≥ 200 mA, constant current
- Switching function** PNP, Normally open
- Type of protection** IP68/IP65 acc. to DIN EN 60529
- Maintenance** none

ATEX option

B0 Dust II 3D Ex tc IIIC T110 °C Dc

## Single parts

**NEW** as standard  
2 grub screws  
to fix the coupling



### Order code Part 1

	NG	G	W	
K - FSZ 052	IG2	AL	E	
K - FSZ 065	IG2	AL	E	
K - FSZ 065	IG2½	AL	E	
K - FSZ 075	IG2	AL	E	
K - FSZ 075	IG2½	AL	E	
K - FSZ 075	IG3	AL	E	
K - FSZ 090	IG3	AL	E	
K - FSZ 100	IG4	AL	E	
K - FSZ 110	IG4	AL	E	
K - FSZ 110	IG4½	AL	E	
K - FSZ 125	IG5	AL	E	
K - FSZ 150	IG6	AL	E	

### Order code Part 2

	NG	W	M
K - BSZ052	AL	-	M2
K - BSZ065	AL	-	M2
K - BSZ065	AL	-	M2
K - BSZ075	AL	-	M2
K - BSZ075	AL	-	M2
K - BSZ075	AL	-	M2
K - BSZ075	AL	-	M2
K - BSZ090	AL	-	M2
K - BSZ100	AL	-	M2
K - BSZ110	AL	-	M2
K - BSZ110	AL	-	M2
K - BSZ125	AL	-	M2
K - BSZ150	AL	-	M2

NG = Nominal size  
G = Thread  
W = Material  
M = Lugs removed

incl. seal rings

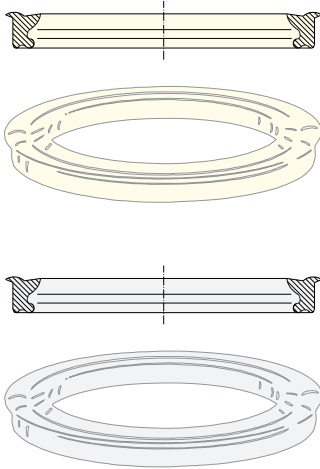
incl. seal rings and chain

Seal rings and chains depending on the type and acc. to data sheet  
K-TD-06 in MOLOSp-info „Hose couplings and accessories“

Materials (W)

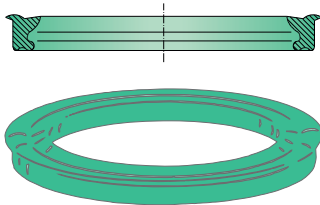
AL = Aluminium  
AV = Aluminium/1.4581 / 318 or 1.457X  
VA = 1.4581 / 318 or 1.457X  
MS = Brass

## Technical data



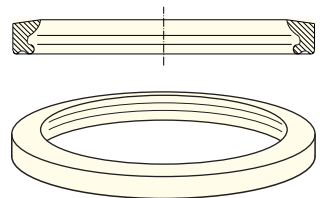
### DRK seal rings for high and low pressure operation (DS)

Size	Dimensions (mm)	NBR (white)		Silikon (transparent)	
		Article no.	Article no.	Article no.	Article no.
52 C	60x47x10.0	K-SZ052DRKDS-NBR		K-SZ052DRKDS-SIK	
65	75x60x10.0	K-SZ065DRKDS-NBR		K-SZ065DRKDS-SIK	
75 B	82x67x10.5	K-SZ075DRKDS-NBR		K-SZ075DRKDS-SIK	
90	98x93x10.0	K-SZ090DRKDS-NBR		K-SZ090DRKDS-SIK	
100	108x93x10.0	K-SZ100DRKDS-NBR		K-SZ100DRKDS-SIK	
110 A	124x102x12.0	K-SZ110DRKDS-NBR		K-SZ110DRKDS-SIK	
125	139x177x12.5	K-SZ125DRKDS-NBR		K-SZ125DRKDS-SIK	
150	152x132x11.5	K-SZ150DRKDS-NBR		K-SZ150DRKDS-SIK	
165	177x152x12.5	K-SZ165DRKDS-NBR			
205	211x187x16.0	K-SZ205DRKDS-NBR			
250	268.5x240x17	K-SZ250DRKDS-NBR	(black)		



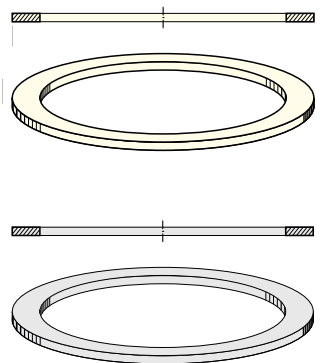
### DRK seal rings for high and low pressure operation (DS)

Size	Dimensions (mm)	VITON (green)	
		Article no.	Article no.
52 C	60x47x10.0	K-SZ052DRKDS-VI	
75 B	82x67x10.5	K-SZ075DRKDS-VI	
110 A	124x102x12.0	K-SZ110DRKDS-VI	
125	139x117x12.5	K-SZ125DRKDS-VI	
150	152x132x11.5	K-SZ150DRKDS-VI	



### DRK seal rings for high pressure operation (D)

Size	Dimensions (mm)	NBR (white)	
		Article no.	Article no.
52 C	60x47x10.5	K-SZ052DRKD-NBR	
65	75x60x10.5	K-SZ065DRKD-NBR	
75 B	82x67x10.0	K-SZ075DRKD-NBR	
100	106x93x10.5	K-SZ100DRKD-NBR	

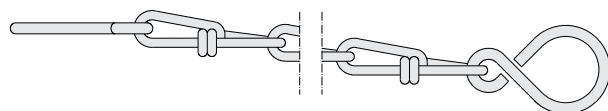


### DRG thread flat seal rings

Size	Dimensions (mm)	NBR (white)		PTFE (white)	
		Article-no.	Article-no.	Article-no.	Article-no.
G 2	60x47x3	K-SZIG2 DRG-NBR		K-SZIG2 DRG-PT	
G 2½	76x66x3	K-SZIG2½DRG-NBR		K-SZIG2½DRG-PT	
G 3	88x78x3	K-SZIG3 DRG-NBR		K-SZIG3 DRG-PT	
G 4	113x100x3	K-SZIG4 DRG-NBR		K-SZIG4 DRG-PT	
G 4½	126x105x3	K-SZIG4½DRG-NBR		K-SZIG4½DRG-PT	
G 5	138x118x3	K-SZIG5 DRG-NBR		K-SZIG5 DRG-PT	
G 6	164x152x4	K-SZIG6 DRG-NBR		K-SZIG6 DRG-PT	

### KT knotted-link chain with S-hook

Size	Chain length	Steel, galvanized		Stainless steel V2A	
		Article-no.	Article-no.	Article-no.	Article-no.
052-090	280 mm	K-280KT-STV		K-280KT-V2A	
100-110	390 mm	K-390KT-STV		K-390KT-V2A	
125-205	535 mm	K-535KT-STV		on request	





# EU-Konformitätserklärung EU-Declaration of Conformity

Wir/We

**MOLLET Füllstandtechnik GmbH**

Industriepark RIO 103  
D-74706 Osterburken  
Tel. 06291 64400 Fax 06291 9846

erklären hiermit, dass die Geräte:

declare that the devices:

**Schlauch-Kupplungen** mit den elektrischen Betriebsmitteln:  
Endschalter, Codeträger, Lesekopf, Lesestation, Expanderkarte  
der Typenreihe:

**Hose couplings** with the electrical equipment:  
limit switch, code carrier, read head, read station,  
processor unit, expander card of type:

**KE ... , KI ... , KN ... ,**

**KE ... , KI ... , KN ... ,**

auf die sich diese Erklärung bezieht, den folgenden Normen  
oder normativen Dokumenten entsprechen:

to which this declaration relates is in accordance with  
the following standards or other normative documents:

**Richtlinie 2014/35/EU** (NSR-Richtlinie)  
**Richtlinie 2014/30/EU** (EMV-Richtlinie)

**Directive 2014/35/EU** (Directive LVD)  
**Directive 2014/30/EU** (Directive EMC)

und

and

**DIN EN 61010-1:2020**  
**DIN EN 60529:2014**

**DIN EN 61010-1:2020**  
**DIN EN 60529:2014**

**DIN EN IEC 60947-5-2:2021**

**DIN EN IEC 60947-5-2:2021**

Die grundlegenden Sicherheits- und Gesundheitsanforderungen werden erfüllt gemäß den Bestimmungen der Richtlinien und durch Einhaltung der Normen soweit es im Rahmen des Lieferumfanges möglich ist.

The Essential Health and Safety Requirements are assured by compliance with the directive and observance of the normative documents, as far as the scope of delivery allows.

Osterburken, 20. Juni 2022

Osterburken, June 20th 2022



Wolfgang Hageleit

Diese Erklärung darf nur unverändert  
weiterverbreitet werden.

This declaration is only allowed to  
hand out in unchanged form.



# EU-Konformitätserklärung EU-Declaration of Conformity

Wir/We

**MOLLET Füllstandtechnik GmbH**

Industriepark RIO 103  
D-74706 Osterburken  
Tel. 06291 64400 Fax 06291 9846

erklären hiermit, dass die Geräte:

declare that the devices:

**Schlauch- und Rohr-Kupplungen** der Typenreihen:

**Hose and pipe couplings** of type series:

**K...** (MOLOScore, MOLOSconnect, MOLOSwitch, MOLOSlock)  
aus Aluminum, Edelstahl oder Messing

**K...** (MOLOScore, MOLOSconnect, MOLOSwitch, MOLOSlock)  
made of aluminum, stainless steel or brass

**DN 32 bis DN 100**

**DN 32 to DN 100**

auf die sich diese Erklärung bezieht, den folgenden Normen  
oder normativen Dokumenten entsprechen:

to which this declaration relates is in accordance with  
the following standards or other normative documents:

**Richtlinie 2014/68/EU** (Druckgeräte-Richtlinie)

**Directive 2014/68/EU** (Directive Pressure Equipment)

Die grundlegenden Sicherheits- und Gesundheitsanforderungen werden erfüllt gemäß den Bestimmungen der Richtlinie.

The Essential Health and Safety Requirements are assured by compliance with the directive.

Einstufung:  
**Druckhaltendes Ausrüstungsteil**

Categorization:  
**Pressure-maintaining components**

Mediumeigenschaft nach Artikel 13:  
**Gruppe 1 - gefährlich**

Fluid group acc. to art. 13:  
**Group 1 - dangerous**

Mediumzustand:  
**gasförmig, flüssig oder staubhaltig, wenn pD >0,5 bar**

Condition of fluid:  
**gaseous, liquid or dusty, if pD >0,5 bar**

Angewendetes Konformitätsverfahren:  
**Modul A**

Applied conformity assessment procedures:  
**Modul A**

Diese Konformitätserklärung ist nur gültig in Verbindung mit den aktuellen Sicherheitshinweisen KE-SH- ..

The declaration of conformity is only valid in connection with our current safety instructions KE-SH- ..

Osterburken, 07. Januar 2019

Osterburken, January 7th 2019



Wolfgang Hageleit

Diese Erklärung darf nur unverändert  
weiterverbreitet werden.

This declaration is only allowed to  
hand out in unchanged form.





# EU-Konformitätserklärung EU-Declaration of Conformity

Wir/We

**MOLLET Füllstandtechnik GmbH**

Industriepark RIO 103  
D-74706 Osterburken  
Tel. 06291 64400 Fax 06291 9846

erklären hiermit, dass die Geräte:

declare that the devices:

**Schlauch- und Rohr-Kupplungen** der Typenreihen:

**Hose and pipe couplings** of type series:

**K...** (MOLOScore, MOLOSconnect, MOLOSwitch, MOLOSlock)  
aus Aluminum, Edelstahl oder Messing

**K...** (MOLOScore, MOLOSconnect, MOLOSwitch, MOLOSlock)  
made of aluminum, stainless steel or brass

**DN 101 bis DN 150**

**DN 101 to DN 150**

auf die sich diese Erklärung bezieht, den folgenden Normen  
oder normativen Dokumenten entsprechen:

to which this declaration relates is in accordance with  
the following standards or other normative documents:

**Richtlinie 2014/68/EU** (Druckgeräte-Richtlinie)

**Directive 2014/68/EU** (Directive Pressure Equipment)

Die grundlegenden Sicherheits- und Gesundheitsanforderungen werden erfüllt gemäß den Bestimmungen der Richtlinie.

The Essential Health and Safety Requirements are assured by compliance with the directive.

Einstufung:  
**Druckhaltendes Ausrüstungsteil**

Categorization:  
**Pressure-maintaining components**

Mediumeigenschaft nach Artikel 13:  
**Gruppe 2 - andere**

Fluid group acc. to art. 13:  
**Group 2 - others**

Mediumzustand:  
**gasförmig, flüssig oder staubhaltig, wenn pD >0,5 bar**

Condition of fluid:  
**gaseous, liquid or dusty, if pD >0,5 bar**

Angewendetes Konformitätsverfahren:  
**Modul A**

Applied conformity assessment procedures:  
**Modul A**

Diese Konformitätserklärung ist nur gültig in Verbindung mit den aktuellen Sicherheitshinweisen KE-SH- ..

The declaration of conformity is only valid in connection with our current safety instructions KE-SH- ..

Osterburken, 07. Januar 2019

Osterburken, January 7th 2019



Wolfgang Hageleit

Diese Erklärung darf nur unverändert  
weiterverbreitet werden.

This declaration is only allowed to  
hand out in unchanged form.