

Read and follow these safety instructions first



## 1. Safety instructions

- 1.1 Installation, mounting (fix into hoses), putting into operation, maintenance, removal and repair may be carried out by qualified experienced specialists with knowledge in pressurized piping construction only.
- 1.2 The statutory and other applicable regulations and standards have to be noticed and kept.
- 1.3 The pressure of maximum 10 bar, temperature of maximum +120 °C, the instructions of the  
> EU-Declaration of conformity EUKE-DG-K100  
and – if a limit switch is mounted – the instructions of the  
> Appliance information KE-GI-... resp. the technical datas of the KE-TD-..  
have to be noticed and kept.
- 1.4 Putting into operation and pressure admission only
- after correct building-in of the hose coupling into the delivery hose
  - after correct mounting of the coupling with thread at the tube (threaded connection) and if need by fixation with the locating screw
  - with closed coupling connection
- !!! Before pressurize the tubing make sure that the couplings are correct inserted resp. connected and
- with Storz-couplings
- is pulled to the limit stop
- with couplings according to DIN 28 450
- the clamping ring is tightened firmly and the safety lever is folded down
- with KAMLOK – couplings
- both levers are turned down to the coupling
- 1.5 **Disconnect resp. open the coupling connection only when pressure-free.**



### ATTENTION ! Danger of injuries

- If loosened and opened in pressurized condition the blank coupling, blank cap resp. closing cover or closing plug will accelerate like a bullet and may cause serious injuries and damages.
- If loosened in pressurized condition the hose will lay about one and may cause serious injuries.

- !!! Before loosen resp. open the coupling connection make sure that the tubing is pressure-free.

Depending on over pressure and hose diameter place suitable warning information.

e.g. **“Loosen only in pressure-free condition”**

- 1.6 If one of the coupling elements is damaged the pressurizing has to be shut off immediately and the tubing resp. hose line is to relieve from any pressure.
- 1.7 Elements of the coupling should be removed or demounted only in pressure-free condition.
- ▶ !!! For couplings with build-in limit switch take also notice of the safety instructions on the back.

Read and follow these special conditions and safety instructions



## 2. General safety instructions

- 2.1 The installation, maintenance, initial operation, removal and repair have to be controlled resp. checked by an “authorized person” for explosion protection.
- 2.2 Comply with the requirements of DIN EN 60079-14, DIN EN 60079-17 and DIN EN 1127-1, especially regarding the dust deposits and temperatures and follow the pertinent rules and regulations.



## 3. Safety Instructions **Gas+Dust** and **hybrid mixtures** for the application of couplings in explosive hazardous areas.

- 3.1 The couplings are allowed to be mounted on tubing
  - when the internal is classified as zone 0 or zone 20 resp. zone 0+20 (hybrid mixtures) or lower
  - when the external area is classified as zone 1 or zone 21 resp. zone 1+21 (hybrid mixtures) or lower
- !!! By attached electrical devices – e.g. limit switches or RFID – systems to recognize the connection – the couplings has to be mounted in the external area just in that zone the electrical devices are classified for.
- 3.2 The coupling has to be constantly conductible connected to the electrically conductive, earthed tubing.
  - If the tubing is not electrically conductive the coupling has to be earthed.
- 3.3 If combustible gases and vapours or combustible dusts with a minimum ignition energy under 3 mJ or a minimum ignition temperature under +300 °C (BAM assessment) were carried inside the coupling resp. by an appliance within zone 0 and/or zone 20 only the stainless steel variants of the product touching parts are permissible.



## 4. Safety Instructions for the application of limit switches in explosive hazardous areas.

- 4.1 Comply with the electrical connection take notice of the local and statutory rules and regulations and/or the VDE 0100.
- 4.2 Before electrical connection, compare the supply voltage with the details at the data plate.

for the version KE and KI Option B0 **Dust** 

- 4.3 The limit switches can be used in areas classified as zone 22.
- 4.4 A fuse (with max. 4 A) has to be connected in series to the supply voltage.
- 4.5 Protect the signal contacts of the limit switch KE against voltage peaks when inductive loads are connected.

for the version KN **Gas+Dust** 

- 4.6 The limit switches can be used in areas classified as zone 1 and zone 20 or lower.
- 4.7 To keep the intrinsically reliability a certified barrier or a certified isolation amplifier with an intrinsically safe circuit according to the present category has to be connected in series for power limitation.

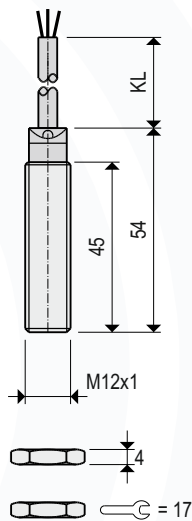


## Technical data

### Dimensions

#### KI-BI3U-M12AP- .

Brand TURCK  
Type Bi3U-M12-AP6X  
Ident No. 16 341 00



007-0245

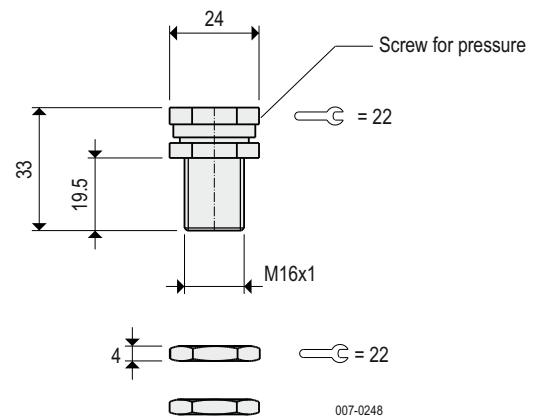
#### Order code

KI-BI3U-M12AP-2 for 2 m cable  
KI-BI3U-M12AP-5 for 5 m cable  
KI-BI3U-M12AP-0 for 10 m cable

further technical data you can get under  
[www.turck.de](http://www.turck.de)

#### Clamp mounting K-KH-12-2S

Brand BALLUFF  
Type KH-12-2S



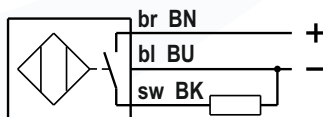
#### Order code

K-KH-12-2S

further technical data you can get under  
[www.balluff.de](http://www.balluff.de)

### Wiring connection

Kabel 3 x 0,34 mm<sup>2</sup>  
Kabellänge (KL) 2 = 2 m  
5 = 5 m  
0 = 10 m



TURCK BI3U

007-AP01

### Technical data

**Materials** housing CuZn, chromium plated  
active surface PA12-GF30  
clamp mounting AIMGSi1

**Mounting position** any

**Ambient temperature** -20 °C ... +60 °C

**Supply voltage** 10 ... 30 V DC

**Load current capacity** ≤ 200 mA, constant current

**Switching function** PNP, Normally open

**Type of protection** IP68/IP65 acc. to DIN EN 60529

**Maintenance** none

#### ATEX option

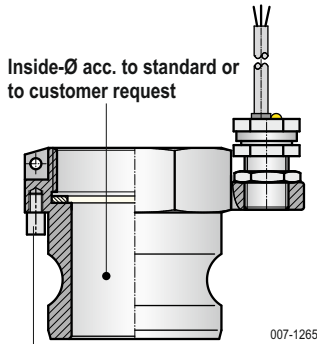
B0 **Dust**  II 3D Ex tc IIIC T110 °C Dc

## Appliance information

## Lever couplings with limit switch

### Father couplings Camlock

with inside thread (I)



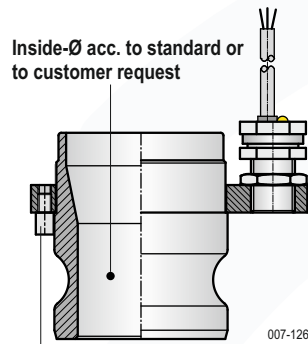
Pin for positioning

Order code				
Type	DN	G	W	KL
KI-AVK025-IG1	VA	2		
KI-AVK032-IG1¼	VA	2		
KI-AVK040-IG1½	VA	2		
KI-AVK050-IG2	VA	2		
KI-AVK065-IG2½	VA	2		
KI-AVK080-IG3	VA	2		
KI-AVK100-IG4	VA	2		

DN = Nominal size  
W = Material  
KL = Cable length

### Father couplings Camlock

with welding end (R)



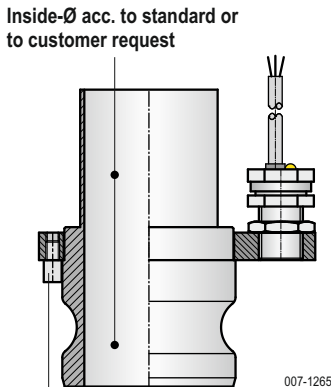
Pin for positioning

Order code					
Type	DN	W	KL	Pipe	
KI-AVK025-R-VA	2			33.7	x2.6
KI-AVK032-R-VA	2			42.4	x2.6
KI-AVK040-R-VA	2			48.3	x2.6
KI-AVK050-R-VA	2			60.3	x2.9
KI-AVK065-R-VA	2			76.1	x2.9
KI-AVK080-R-VA	2			88.9	x3.2
KI-AVK100-R-VA	2			114.3	x3.6

DN = Nominal size  
W = Material  
KL = Cable length

### Father couplings Camlock

with pipe-connection / hose nipple / welding end (G)



Pin for positioning

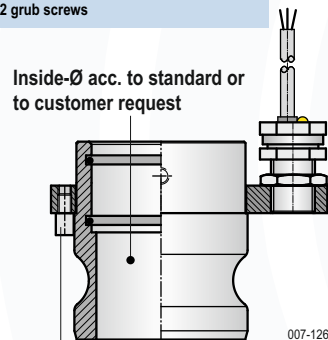
Order code					
Type	DN	Pipe	W	KL	Pipe
KI-AVK040-G038VA	2	38x1.5			
KI-AVK040-G040VA	2	40x1.5			
KI-AVK050-G050VA	2	50x1.5			
KI-AVK065-G065VA	2	65x1.5			
KI-AVK080-G080VA	2	80x2.0			
KI-AVK100-G100VA	2	100x2.0			

DN = Nominal size  
W = Material  
KL = Cable length

### Father couplings Camlock

with coupling sleeve connection (M)

Use only for suction operation mode  
Sealing of pipe with O-ring and fixing with 2 grub screws



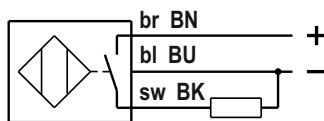
Pin for positioning

Order code					
Type	DN	Pipe	W	KL	Pipe
KI-AVK040-M038VA	2	38x1.5			
KI-AVK040-M040VA	2	40x1.5			
KI-AVK050-M050VA	2	50x1.5			
KI-AVK065-M065VA	2	65x1.5			
KI-AVK080-M080VA	2	80x2.0			
KI-AVK100-M100VA	2	100x2.0			

DN = Nominal size  
W = Material  
KL = Cable length

## Wiring connection

Cable 3 x 0.34 mm<sup>2</sup>  
Cable length (KL) 2 = 2 m  
5 = 5 m  
0 = 10 m



Turck BI3U

007-AP01

## Technical data

Materials	(W) AVK	VA = 1.4571 / 316 Ti
	Clamp mounting	CuZn, nickel plated
	Switch	CuZn, chromium plated
	Active surface	PA12-GF30
Mounting position		any
Ambient temperature		-20 °C ... +60 °C
Supply voltage		10 ... 30 V DC
Load current capacity		≤ 200 mA, constant current
Switching function		PNP, Normally open
Type of protection		IP68/IP65 acc. to DIN EN 60529
Maintenance		none

### ATEX option

B0 Dust  II 3D Ex tc IIC T110 °C Dc

Result of the evaluation of ignition danger acc. to DIN EN ISO 80079-36:

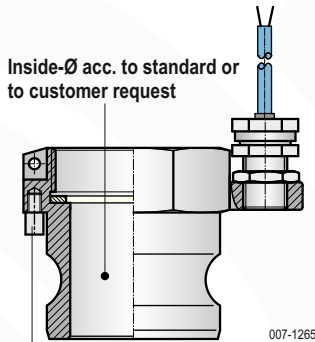
The couplings (without switches) have no potential source of ignition on their own.

## Appliance information

## Lever couplings with limit switch

### Father couplings Camlock

with inside thread (I)



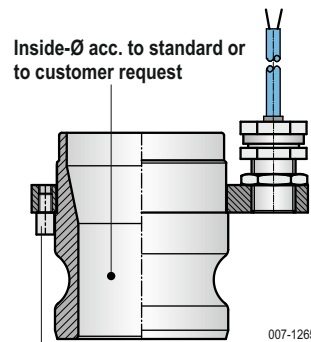
Pin for positioning

Order code				
Type	DN	G	W	KL
KN-AVK025-IG1	VA	2		
KN-AVK032-IG1	¼ VA	2		
KN-AVK040-IG1	½ VA	2		
KN-AVK050-IG2	VA	2		
KN-AVK065-IG2	½ VA	2		
KN-AVK080-IG3	VA	2		
KN-AVK100-IG4	VA	2		

DN = Nominal size  
W = Material  
KL = Cable length

### Father couplings Camlock

with welding end (R)



Pin for positioning

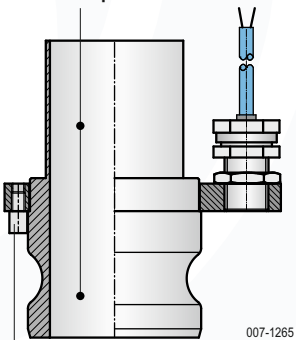
Order code				
Type	DN	W	KL	Pipe
KN-AVK025-R-VA	2			33.7x2.6
KN-AVK032-R-VA	2			42.4x2.6
KN-AVK040-R-VA	2			48.3x2.6
KN-AVK050-R-VA	2			60.3x2.9
KN-AVK065-R-VA	2			76.1x2.9
KN-AVK080-R-VA	2			88.9x3.2
KN-AVK100-R-VA	2			114.3x3.6

DN = Nominal size  
W = Material  
KL = Cable length

### Father couplings Camlock

with pipe-connection / hose nipple / welding end (G)

Inside-Ø acc. to standard or to customer request



Pin for positioning

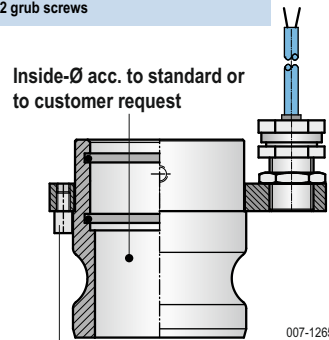
Order code				
Type	DN	Pipe W	KL	Pipe
KN-AVK040-G038VA	2			38x1.5
KN-AVK040-G040VA	2			40x1.5
KN-AVK050-G050VA	2			50x1.5
KN-AVK065-G065VA	2			65x1.5
KN-AVK080-G080VA	2			80x2.0
KN-AVK100-G100VA	2			100x2.0

DN = Nominal size  
W = Material  
KL = Cable length

### Father couplings Camlock

with coupling sleeve connection (M)

Use only for suction operation mode  
Sealing of pipe with O-ring and fixing with 2 grub screws



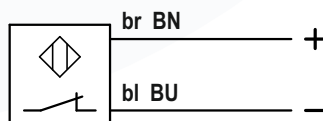
Pin for positioning

Order code				
Type	DN	Pipe W	KL	Pipe
KN-AVK040-M038VA	2			38x1.5
KN-AVK040-M040VA	2			40x1.5
KN-AVK050-M050VA	2			50x1.5
KN-AVK065-M065VA	2			65x1.5
KN-AVK080-M080VA	2			80x2.0
KN-AVK100-M100VA	2			100x2.0

DN = Nominal size  
W = Material  
KL = Cable length

## Wiring connection

Cable 2 x 0.34 mm<sup>2</sup>  
Cable length (KL) 2 = 2 m  
5 = 5 m  
0 = 10 m



Pepperl+Fuchs NJ4

007-AP03

## Technical data

Materials (W) AVK VA = 1.4571 / 316 Ti  
Clamp mounting CuZn, nickel plated  
Switch PBTP (Polybutylenterephthalat)

Mounting position any

Ambient temperature -25 °C ... +60 °C

Supply voltage 8 V DC (Ri approx. 1 kΩ)

Power consumption activated: ≤ 1 mA  
not activated: ≥ 3 mA

Type of protection IP68/IP65 acc. to DIN EN 60529

Maintenance none

ATEX option Gas and Dust **Ex** II 2G Ex ia IIC T6...T1 Gb  
and II 1D Ex ia IIIIC T<sub>200</sub> 135°C Da

Result of the evaluation of ignition danger acc. to DIN EN ISO 80079-36:  
The couplings (without switches) have no potential source of ignition on their own.

## Single parts

## Lever couplings with limit switch

### Father couplings Camlock

**inductive limit switch**

KI-BI3U-M12AP-2  
KI-BI3U-M12AP-5  
KI-BI3U-M12AP-0

**inductive limit switch NAMUR**

KN-NJ4K-M12-2  
KN-NJ4K-M12-5  
KN-NJ4K-M12-0

**Device holder**

Type	DN
K-MVK-GHA040	
K-MVK-GHA050	
K-MVK-GHA065	
K-MVK-GHA080	
K-MVK-GHA100	

**Clamp mounting with nut**

K-KH-12-2S

**with inside thread (I)**

Type	DN	G	W
K-AVK025-IG1		GHA-VA	
K-AVK032-IG1¼		GHA-VA	
K-AVK040-IG1½		GHA-VA	
K-AVK050-IG2		GHA-VA	
K-AVK065-IG2½		GHA-VA	
K-AVK080-IG3		GHA-VA	
K-AVK100-IG4		GHA-VA	

**with welding end (R)**

Type	DN	W	Pipe
K-AVK025-R-VA		33.7x2.6	
K-AVK032-R-VA		42.4x2.6	
K-AVK040-R-VA		48.3x2.6	
K-AVK050-R-VA		60.3x2.9	
K-AVK065-R-VA		76.1x2.9	
K-AVK080-R-VA		88.9x3.2	
K-AVK100-R-VA		114.3x3.6	

**with pipe-connection (G)**

Type	DN	Pipe W	Pipe
K-AVK040-G038VA		38x1.5	
K-AVK040-G040VA		40x1.5	
K-AVK050-G050VA		50x1.5	
K-AVK065-G065VA		65x1.5	
K-AVK080-G080VA		80x2.0	
K-AVK100-G100VA		100x2.0	

**with coupling sleeve (M)**

Type	DN	Pipe W	Pipe
K-AVK040-M038VA		38x1.5	
K-AVK040-M040VA		40x1.5	
K-AVK050-M050VA		50x1.5	
K-AVK065-M065VA		65x1.5	
K-AVK080-M080VA		80x2.0	
K-AVK100-M100VA		100x2.0	

0927-05x007-V2A

0916-06x008-V4A

0914-06x010-V4A

007-1265

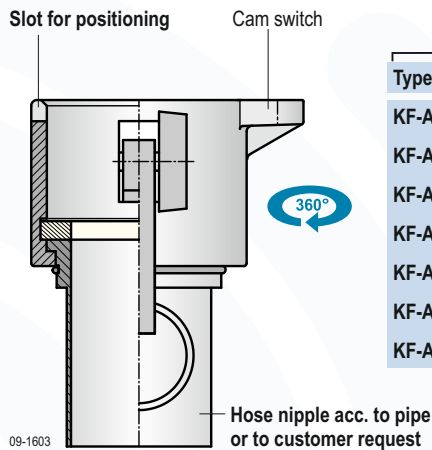
According to Directive 2014/68/EU for pressure equipment:  
Usable for hazardous gases and liquids of group 1 up to 10 bar and up to DN 100  
For example in pneumatic conveyor systems with combustible dusts etc.

**Couplings** depending on the model (see offer or order)  
**Dimensions** according to DIN EN 14420-7 (DIN 2828)  
**Seal rings** depending on the order

## Appliance information

## Lever couplings with cam switch

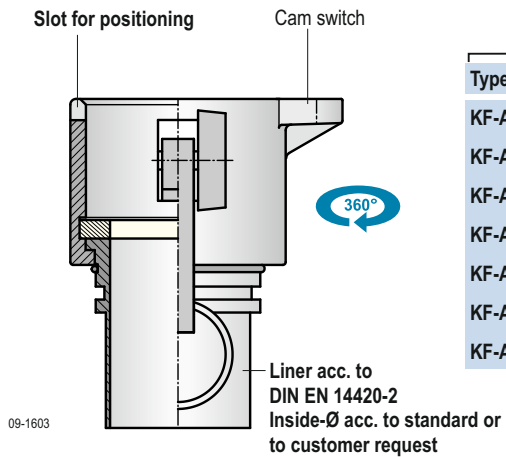
### Mother couplings Camlock with hose nipple and turnable lever part (DG)



Order code				
Type	DN	Nipple W	Pipe	
KF-AMK040-DG038VA	38	x1.5		
KF-AMK040-DG040VA	40	x1.5		
KF-AMK050-DG050VA	50	x1.5		
KF-AMK065-DG065VA	65	x1.5		
KF-AMK080-DG075VA	75	x1.5		
KF-AMK080-DG080VA	80	x2.0		
KF-AMK100-DG100VA	100	x2.0		

09-1603

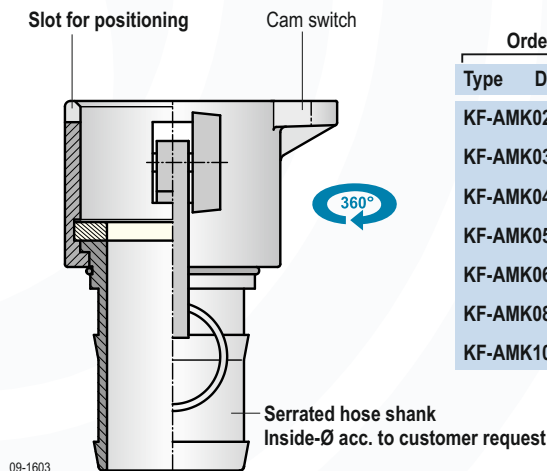
### Mother couplings Camlock with liner and turnable lever part (DS)



Order code				
Type	DN	Nipple W		
KF-AMK025-DS025VA	25			
KF-AMK032-DS032VA	32			
KF-AMK040-DS038VA	40			
KF-AMK050-DS050VA	50			
KF-AMK065-DS063VA	65			
KF-AMK080-DS075VA	80			
KF-AMK100-DS100VA	100			

09-1603

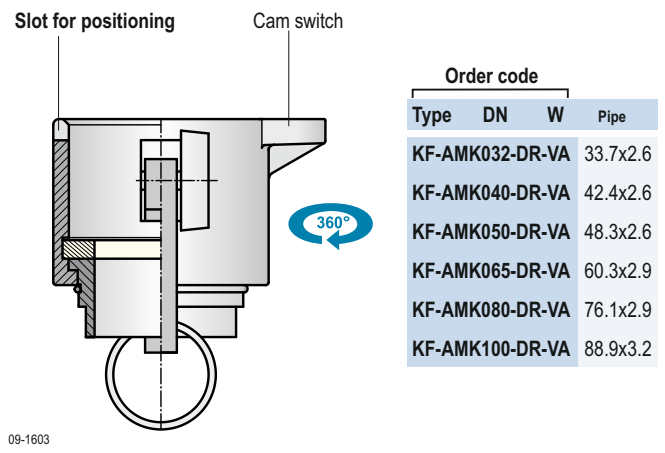
### Mother couplings Camlock with serrated hose shank and turnable lever part (DC)



Order code			
Type	DN	Nipple W	
KF-AMK025-DC025VA	25		
KF-AMK032-DC032VA	32		
KF-AMK040-DC038VA	40		
KF-AMK050-DC050VA	50		
KF-AMK065-DC063VA	65		
KF-AMK080-DC075VA	80		
KF-AMK100-DC100VA	100		

09-1603

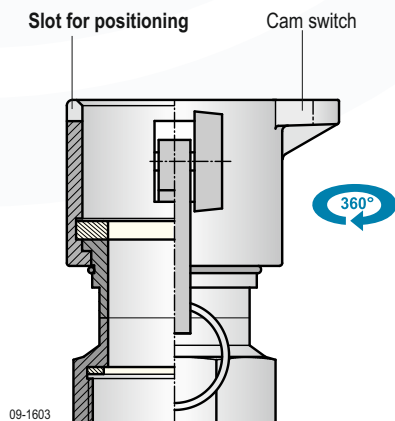
### Mother couplings Camlock with welding end and turnable lever part (DR)



Order code			
Type	DN	W	Pipe
KF-AMK032-DR-VA	33.7	x2.6	
KF-AMK040-DR-VA	42.4	x2.6	
KF-AMK050-DR-VA	48.3	x2.6	
KF-AMK065-DR-VA	60.3	x2.9	
KF-AMK080-DR-VA	76.1	x2.9	
KF-AMK100-DR-VA	88.9	x3.2	

09-1603

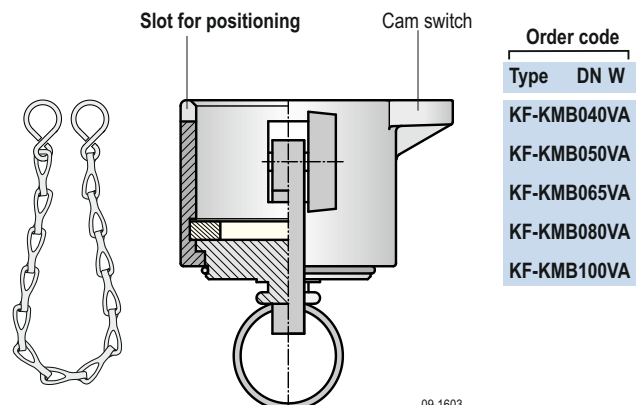
### Mother couplings Camlock with inside thread and turnable lever part (DI)



Order code			
Type	DN	G	W
KF-AMK025-DIG1 VA	25		
KF-AMK032-DIG1¼ VA	32		
KF-AMK040-DIG1½ VA	40		
KF-AMK050-D IG2 VA	50		
KF-AMK065-DIG2½ VA	65		
KF-AMK080-DIG3 VA	80		
KF-AMK100-DIG4 VA	100		

09-1603

### End cap Camlock KMB with chain and S-hook



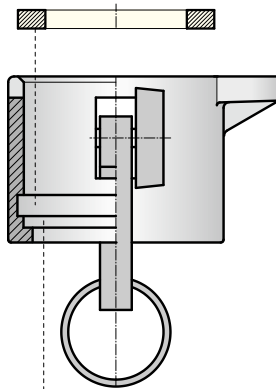
Order code		
Type	DN	W
KF-KMB040VA	40	
KF-KMB050VA	50	
KF-KMB065VA	65	
KF-KMB080VA	80	
KF-KMB100VA	100	

09-1603

## Single parts

## Lever couplings with cam switch

### Mother couplings Camlock



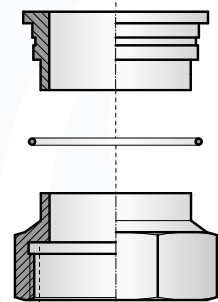
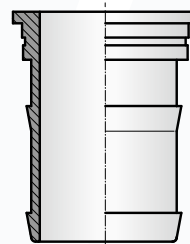
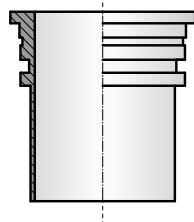
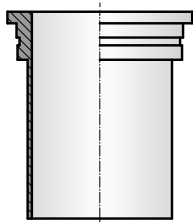
Turnable level part (D)

Type	DN	W
K-AMK025-D-ESF-VA		
K-AMK032-D-ESF-VA		
K-AMK040-D-ESF-VA		
K-AMK050-D-ESF-VA		
K-AMK065-D-ESF-VA		
K-AMK080-D-ESF-VA		
K-AMK100-D-ESF-VA		

Welding end (R)

Type	DN	W	Pipe
K-MK025-DR-VA		33.7x2.6	
K-MK032-DR-VA		42.4x2.6	
K-MK040-DR-VA		48.3x2.6	
K-MK050-DR-VA		60.3x2.9	
K-MK065-DR-VA		76.1x2.9	
K-MK080-DR-VA		88.9x3.2	
K-MK100-DR-VA		114.3x3.6	

09-6031



Hose nipple (G)

Type	DN	Nipple	W	Nipple
K-MK040-DG038VA		38x1.5		
K-MK040-DG040VA		40x1.5		
K-MK050-DG050VA		50x1.5		
K-MK065-DG065VA		65x1.5		
K-MK080-DG075VA		75x1.5		
K-MK080-DG080VA		80x2.0		
K-MK100-DG100VA		100x2.0		

Liner (S)

Type	DN	Nipple	W
K-MK025-DS025VA			
K-MK032-DS032VA			
K-MK040-DS038VA			
K-MK050-DS050VA			
K-MK065-DS063VA			
K-MK080-DS075VA			
K-MK100-DS100VA			

Serrated hose shank (C)

Type	DN	Nipple	W
K-MK025-DC025VA			
K-MK032-DC032VA			
K-MK040-DC038VA			
K-MK050-DC050VA			
K-MK065-DC063VA			
K-MK080-DC075VA			
K-MK100-DC100VA			

Inside thread (I)

Type	DN	G	W
K-MK025-DIG1 VA			
K-MK032-DIG1¼ VA			
K-MK040-DIG1½ VA			
K-MK050-DIG2 VA			
K-MK065-DIG2½ VA			
K-MK080-DIG3 VA			
K-MK100-DIG4 VA			

According to Directive 2014/68/EU for pressure equipment:  
Usable for hazardous gases and liquids of group 1 up to 10 bar and up to DN 100  
For example in pneumatic conveyor systems with combustible dusts etc.

**Couplings** depending on the model (see offer or order)  
**Dimensions** according to DIN EN 14420-7 (DIN 2828)  
**Seal rings** depending on the order

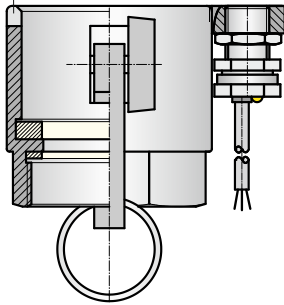


## Appliance information

## Lever couplings with limit switch

### Mother couplings Camlock with inside thread (I)

Slot for positioning



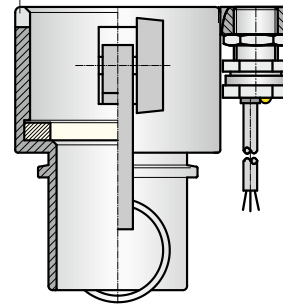
007-1217

Order code				
Type	DN	G	W	KL
KI-AMKI025-IG1	VA		2	
KI-AMKI032-IG1¼	VA		2	
KI-AMKI040-IG1½	VA		2	
KI-AMKI050-IG2	VA		2	
KI-AMKI065-IG2½	VA		2	
KI-AMKI080-IG3	VA		2	
KI-AMKI100-IG4	VA		2	

DN = Nominal size  
W = Material  
KL = Cable length

### Mother couplings Camlock with liner (S)

Slot for positioning

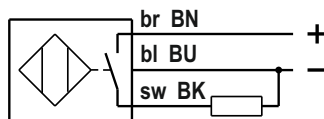


Order code			
Type	DN	W	KL
KI-AMKS025	VA		2
KI-AMKS032	VA		2
KI-AMKS040	VA		2
KI-AMKS050	VA		2
KI-AMKS065	VA		2
KI-AMKS080	VA		2
KI-AMKS100	VA		2

DN = Nominal size  
W = Material  
KL = Cable length

## Wiring connection

Cable 3 x 0.34 mm<sup>2</sup>  
Cable length (KL) 2 = 2 m  
5 = 5 m  
0 = 10 m



Turck BI3U

007-AP01

## Technische Daten

**Materials** (W) AMK VA = 1.4401 / 316  
Clamp mounting CuZn, nickel plated  
Switch CuZn, chromium plated  
Active surface PA12-GF30

**Mounting position** any

**Ambient temperature** -20 °C ... +60 °C

**Supply voltage** 10 ... 30 V DC

**Load current capacity** ≤ 200 mA, constant current

**Switching function** PNP, Normally open

**Type of protection** IP68/IP65 acc. to DIN EN 60529

**Maintenance** none

## ATEX option

B0 **Dust**  II 3D Ex tc IIIC T110 °C Dc

Result of the evaluation of ignition danger acc. to DIN EN ISO 80079-36:

The couplings (without switches) have no potential source of ignition on their own.

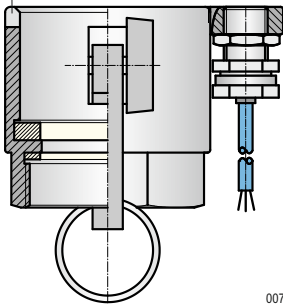
## Appliance information

## Lever couplings with limit switch

### Mother couplings Camlock

with inside thread (I)

Slot for positioning



007-1217

Order code

Type	DN	G	W	KL
KN-AMKI025-IG1	VA	2		
KN-AMKI032-IG1¼	VA	2		
KN-AMKI040-IG1½	VA	2		
KN-AMKI050-IG2	VA	2		
KN-AMKI065-IG2½	VA	2		
KN-AMKI080-IG3	VA	2		
KN-AMKI100-IG4	VA	2		

DN = Nominal size

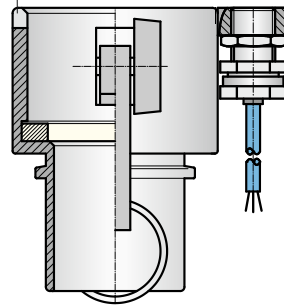
W = Material

KL = Cable length

### Mother couplings Camlock

with liner (S)

Slot for positioning



Order code

Type	DN	W	KL
KN-AMKS025	VA	2	
KN-AMKS032	VA	2	
KN-AMKS040	VA	2	
KN-AMKS050	VA	2	
KN-AMKS065	VA	2	
KN-AMKS080	VA	2	
KN-AMKS100	VA	2	

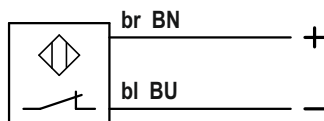
DN = Nominal size

W = Material

KL = Cable length

## Wiring connection

Cable 2 x 0.34 mm<sup>2</sup>  
Cable length (KL) 2 = 2 m  
5 = 5 m  
0 = 10 m



Pepperl+Fuchs NJ4

007-AP03

## Technical data

**Werkstoffe** (W) AMK VA = 1.4401 / 316  
Clamp mounting CuZn, nickel plated  
Switch PBTP (Polybutylenterephthalat)

**Mounting position** any

**Ambient temperature** -25 °C ... +60 °C

**Supply voltage** 8 V DC (Ri approx. 1 kΩ)

**Power consumption** activated: ≤ 1 mA  
not activated: ≥ 3 mA

**Type of protection** IP68/IP65 acc. to DIN EN 60529

**Maintenance** none

ATEX option Gas and Dust **Ex** II 2G Ex ia IIC T6...T1 Gb  
and II 1D Ex ia IIC T<sub>200</sub>135°C Da

Result of the evaluation of ignition danger acc. to DIN EN ISO 80079-36:  
The couplings (without switches) have no potential source of ignition on their own.

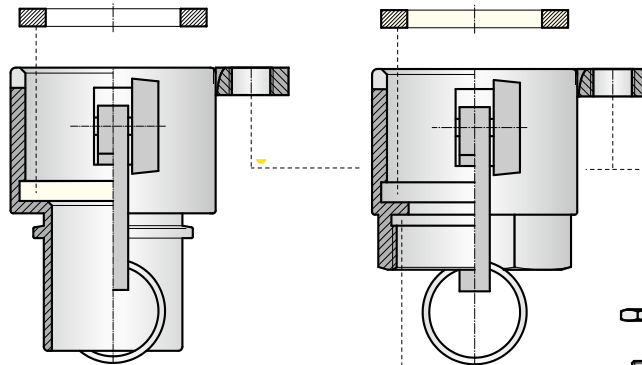
## Single parts

## Lever couplings with limit switch

### Mother couplings Camlock

with liner (S)

Type	DN	W
K-AMKS025GHA-VA		
K-AMKS032GHA-VA		
K-AMKS040GHA-VA		
K-AMKS050GHA-VA		
K-AMKS065GHA-VA		
K-AMKS080GHA-VA		
K-AMKS100GHA-VA		



with inside thread (I)

Type	DN	G	W
K-AMKI025-IG1	GHA-VA		
K-AMKI032-IG1¼	GHA-VA		
K-AMKI040-IG1½	GHA-VA		
K-AMKI050-IG2	GHA-VA		
K-AMKI065-IG2½	GHA-VA		
K-AMKI080-IG3	GHA-VA		
K-AMKI100-IG4	GHA-VA		

Clamp mounting with nut

K-KH-12-2S

inductive limit switch

KI-BI3U-M12AP-2

KI-BI3U-M12AP-5

KI-BI3U-M12AP-0

inductive limit switch NAMUR

KN-NJ4K-M12-2

KN-NJ4K-M12-5

KN-NJ4K-M12-0

According to Directive 2014/68/EU for pressure equipment:  
Usable for hazardous gases and liquids of group 1 up to 10 bar and up to DN 100  
For example in pneumatic conveyor systems with combustible dusts etc.

**Couplings** depending on the model (see offer or order)  
**Dimensions** according to DIN EN 14420-7 (DIN 2828)  
**Seal rings** depending on the order

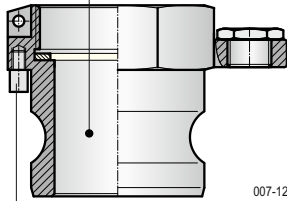
## Appliance information

## Lever couplings with cam switch

### Father couplings Camlock

with inside thread (I)

Inside-Ø acc. to standard or  
to customer request



007-1265

Pin for positioning

Order code

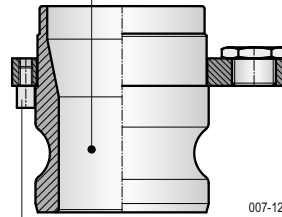
Type	DN	G	W
KF-AVK025-IG1	VA		
KF-AVK032-IG1¼	VA		
KF-AVK040-IG1½	VA		
KF-AVK050-IG2	VA		
KF-AVK065-IG2½	VA		
KF-AVK080-IG3	VA		
KF-AVK100-IG4	VA		

DN = Nominal size  
W = Material  
VA=1.4571

### Father couplings Camlock

with welding end (R)

Inside-Ø acc. to standard or  
to customer request



007-1265

Pin for positioning

Order code

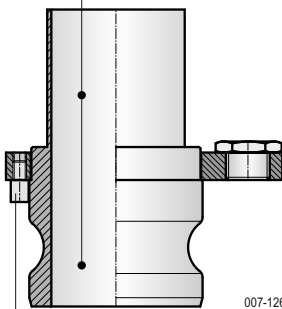
Type	DN	W	Pipe
KF - AVK025 - R-VA			33.7x2.6
KF - AVK032 - R-VA			42.4x2.6
KF - AVK040 - R-VA			48.3x2.6
KF - AVK050 - R-VA			60.3x2.9
KF - AVK065 - R-VA			76.1x2.9
KF - AVK080 - R-VA			88.9x3.2
KF - AVK100 - R-VA			114.3x3.6

DN = Nominal size  
W = Material  
VA=1.4571

### Father couplings Camlock

with pipe-connection / hose nipple / welding end (G)

Inside-Ø acc. to standard or  
to customer request



007-1265

Pin for positioning

Order code

Type	DN	Pipe W	Pipe
KF-AVK040-G038VA			38x1.5
KF-AVK040-G040VA			40x1.5
KF-AVK050-G050VA			50x1.5
KF-AVK065-G065VA			65x1.5
KF-AVK080-G080VA			80x2.0
KF-AVK100-G100VA			100x2.0

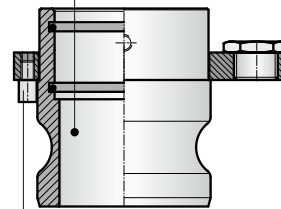
DN = Nominal size  
W = Material  
VA=1.4571

### Father couplings Camlock

with coupling sleeve connection (M)

Use only for suction operation mode  
Sealing of pipe with O-ring and fixing with 2  
grub screws

Inside-Ø acc. to standard or  
to customer request



Pin for positioning

Order code

Type	DN	Pipe W	Pipe
KF-AVK040-M038VA			38x1.5
KF-AVK040-M040VA			40x1.5
KF-AVK050-M050VA			50x1.5
KF-AVK065-M065VA			65x1.5
KF-AVK080-M080VA			80x2.0
KF-AVK100-M100VA			100x2.0

DN = Nominal size  
W = Material  
VA=1.4571

According to Directive 2014/68/EU for pressure equipment:

Usable for hazardous gases and liquids of group 1 up to 10 bar and up to DN 100

For example in pneumatic conveyor systems with combustible dusts etc.

**Couplings** depending on the model (see offer or order)

**Dimensions** according to DIN EN 14420-7 (DIN 2828)

**Seal rings** depending on the order

## Single parts

## Lever couplings with cam switch

### Father couplings Camlock

Device holder

Type	DN
K-MVK-GHA040	
K-MVK-GHA050	
K-MVK-GHA065	
K-MVK-GHA080	
K-MVK-GHA100	

Screw  
SK-016X010-VA

0927-05x007-V2A

2 pieces 0914-06x010-V4A

2 pieces 0916-06x008-V4A

007-1265

with inside thread (I)

Type	DN	G	W
K-AVK025-IG1	GHA-VA		
K-AVK032-IG1¼	GHA-VA		
K-AVK040-IG1½	GHA-VA		
K-AVK050-IG2	GHA-VA		
K-AVK065-IG2½	GHA-VA		
K-AVK080-IG3	GHA-VA		
K-AVK100-IG4	GHA-VA		

with welding end (R)

Type	DN	W	Pipe
K-AVK025-R-VA		33.7x2.6	
K-AVK032-R-VA		42.4x2.6	
K-AVK040-R-VA		48.3x2.6	
K-AVK050-R-VA		60.3x2.9	
K-AVK065-R-VA		76.1x2.9	
K-AVK080-R-VA		88.9x3.2	
K-AVK100-R-VA		114.3x3.6	

with pipe-connection (G)

Type	DN	Pipe W	Pipe
K-AVK040-G038VA		38x1.5	
K-AVK040-G040VA		40x1.5	
K-AVK050-G050VA		50x1.5	
K-AVK065-G065VA		65x1.5	
K-AVK080-G080VA		80x2.0	
K-AVK100-G100VA		100x2.0	

with coupling sleeve (M)

Type	DN	Pipe W	Pipe
K-AVK040-M038VA		38x1.5	
K-AVK040-M040VA		40x1.5	
K-AVK050-M050VA		50x1.5	
K-AVK065-M065VA		65x1.5	
K-AVK080-M080VA		80x2.0	
K-AVK100-M100VA		100x2.0	

According to Directive 2014/68/EU for pressure equipment:

Usable for hazardous gases and liquids of group 1 up to 10 bar and up to DN 100

For example in pneumatic conveyor systems with combustible dusts etc.

**Couplings**

depending on the model (see offer or order)

**Dimensions**

according to DIN EN 14420-7 (DIN 2828)

**Seal rings**

depending on the order

Translation:

## ATEX – Type Examination Certificate

Directive 2014 / 34 / EU

Equipment or Protective systems intended for use  
in potentially explosive atmosphere

**Number:** TURCK Ex-10002M X **Issue no.:** 1

**Equipment:** Sensoren Typenreihe uprox® und uprox®+:  
DBi/Bi..U-...../3D, Ni..U-...../3D  
DBi/Bi..U-...../3GD, Ni..U-...../3GD

**Manufacturer:** Hans Turck GmbH & Co KG  
**Address:** Witzlebenstr. 7 45472 Mülheim an der Ruhr

This equipment and any acceptable variation thereto is specified in the schedule to this certificate.

Hans Turck GmbH & Co. KG certifies that this product has been found to comply with the Essential Health and Safety Requirements of the Directive 2014 / 34 / EU by compliance with:

EN 60079-0:2012/A11:2013 EN 60079-15:2010 EN 60079-31:2014

*If the sign "X" is placed after the certificate number, it indicates that the equipment or protective system is subject to special conditions for safe use specified in the schedule to this certificate.*

Marking:



II 3 G Ex nA IIC T4 Gc  
II 3 D Ex tc IIIC T110°C Dc

Hans Turck GmbH & Co. KG



Hans Turck GmbH & Co. KG  
Witzlebenstr. 7 | 45472 Mülheim an der Ruhr  
T +49 208 4952-0 | more@turck.com

Mülheim an der Ruhr, date 4/20/2016

(i.A. W. Dick)  
Representative

*Translation:*

**Schedule to****Type Examination Certificate No. TURCK Ex-10002M X****Issue no.: 1**Description of device:

The use of inductive sensors is allowed in zone 2 resp. zone 22 depending on the marking. The sensors are suitable for contactless and wear-free detection of metallic objects and conversion into a digital output signal.

Ambient temperature range: -25°C ... + 70°C

## Electrical data:

Operating voltage / voltage range: 10...30V DC  
10...55V DC  
10...65V DC

Output current: ≤ 150 mA or ≤ 200 mA

Internal test report no.:

Zone2+22\_1\_D\_PB\_~\_Turck Ex-10002M X  
Normengenerationswechsel\_Turck Ex-10002M X  
Zone2+22\_A1\_D\_NGW\_~\_Turck Ex-10002MX

Special conditions for safe use:

- The device must be supplied from power supply units with secure separation according to IEC 60364 which ensure that the rated voltage of the equipment is not exceeded by more than 40% by transient disturbances.
- The sensor with Q80 or CP40 housing must be protected against static charge, e.g. by conductive fastening with connection to protective ground potential.
- Plug-in devices or connection cables may only be connected or disconnected in a de-energized state.
- Fix a warning in the near of connector permanently in suitable form with following text: DO NOT SEPARATE WHEN ENERGIZED.
- The device connectors have to be secured against accidentally disconnecting; use the included safety clip SC-M12 / 3GD.
- The IP protection degree of the connectors is given only in conjunction with matching O-rings.
- Do not open the terminal compartment of the sensor under voltage or make sure that no explosive atmosphere is present.
- Use only EX-approved cable gland (II 3 G; II 3 D).
- Protect the device against any mechanical damage.
- The device shall be protected against ultraviolet radiation.

Essential health and safety requirements:

- no additional ones



# EU-Konformitätserklärung EU-Declaration of Conformity

Wir/We

**MOLLET Füllstandtechnik GmbH**

Industriepark RIO 103  
D-74706 Osterburken  
Tel. 06291 64400 Fax 06291 9846

erklären hiermit, dass die Geräte:

declare that the devices:

**Schlauch- und Rohr-Kupplungen** der Typenreihen:

**Hose and pipe couplings** of type series:

**K...** (MOLOScode, MOLOScconnect, MOLOSwitch, MOLOSlOCK)  
aus Aluminum, Edelstahl oder Messing

**K...** (MOLOScode, MOLOScconnect, MOLOSwitch, MOLOSlOCK)  
made of aluminum, stainless steel or brass

**DN 32 bis DN 100**

**DN 32 to DN 100**

auf die sich diese Erklärung bezieht, den folgenden Normen  
oder normativen Dokumenten entsprechen:

to which this declaration relates is in accordance with  
the following standards or other normative documents:

**Richtlinie 2014/68/EU** (Druckgeräte-Richtlinie)

**Directive 2014/68/EU** (Directive Pressure Equipment)

Die grundlegenden Sicherheits- und Gesundheitsanforderungen werden erfüllt gemäß den Bestimmungen der Richtlinie.

The Essential Health and Safety Requirements are assured by compliance with the directive.

Einstufung:  
**Druckhaltendes Ausrüstungsteil**

Categorization:  
**Pressure-maintaining components**

Mediumeigenschaft nach Artikel 13:  
**Gruppe 1 - gefährlich**

Fluid group acc. to art. 13:  
**Group 1 - dangerous**

Mediumzustand:  
**gasförmig, flüssig oder staubhaltig, wenn pD >0,5 bar**

Condition of fluid:  
**gaseous, liquid or dusty, if pD >0,5 bar**

Angewendetes Konformitätsverfahren:  
**Modul A**

Applied conformity assessment procedures:  
**Modul A**

Diese Konformitätserklärung ist nur gültig in Verbindung mit den aktuellen Sicherheitshinweisen KE-SH- ..

The declaration of conformity is only valid in connection with our current safety instructions KE-SH- ..

Osterburken, 07. Januar 2019

Osterburken, January 7th 2019



Wolfgang Hageleit

Diese Erklärung darf nur unverändert  
weiterverbreitet werden.

This declaration is only allowed to  
hand out in unchanged form.