



Hose couplings

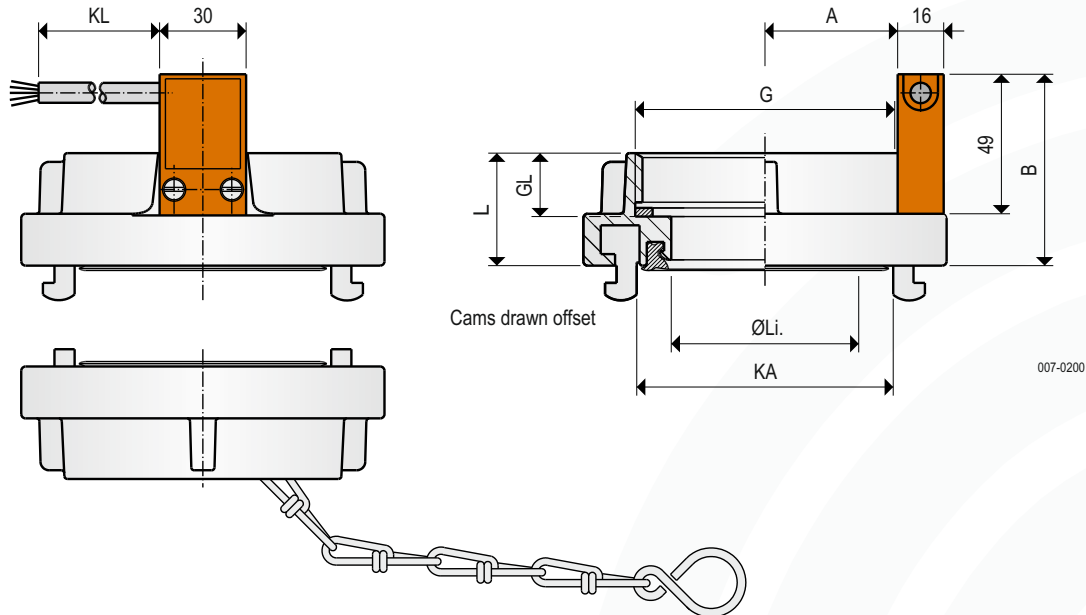
with mechanical or inductive limit switches

Appliance information

Index	Page
Couplings system Storz	
KE-SZ Coupling with inside thread with mechanical limit switch	02 - 03
KI-SZ Coupling with inside thread with inductive limit switch	04 - 05
KN-SZ Coupling with inside thread with inductive limit switch NAMUR	06 - 07
K.2-SZ Coding 1/2 with 2 limit switches	08
K.2-SZ Coding 1/3 with 2 limit switches	09
K.D-SZ Coding 1/3 with double limit switch	10
K.3/4-SZ Coding 1/7 or 1/15 with 3 or 4 limit switches	11 - 12
Road tanker couplings EN 14420-6 (DIN 28450) with nominal size 80 and 100	
KE-VK Father coupling with mechanical limit switch	14 - 15
KI-VK Father coupling with inductive limit switch	16 - 17
KN-VK Father coupling with inductive limit switch NAMUR	18 - 19
Road tanker couplings EN 14420-6 (DIN 28450) with nominal size 50	
KI-VK Father coupling with inductive limit switch	20
KN-VK Father coupling with inductive limit switch NAMUR	21
Camlock couplings DIN EN 14420-7 (DIN 2828)	
KI-AVK with inductive limit switch	22 + 24
KN-AVK with inductive limit switch NAMUR	23 + 24
KF-AMK with cam switch	25 + 26
KI-AMK with inductive limit switch	27 + 29
KN-AMK with inductive limit switch NAMUR	28 + 29
KF-AVK with cam switch	30 + 31
Guillemin couplings	
KI-SGF with inductive limit switch	32
KN-SGF with inductive limit switch NAMUR	33
Limit switches	
KE Mechanical limit switch with design KE-XCM-A110	34
KI Inductive limit switches with different designs	35 - 39
KN Inductive limit switches NAMUR with different designs	40 - 42

Appliance information

Dimensions



Order code

Type	NG	G	W	KL	M	KA	Li.	L	GL	A	B
KE - SZ 052	IG2	AL	2	M2	66	44,5	40	20	32	66	
KE - SZ 065	IG2	AL	2	M2	81	45	37	20	42	66	
KE - SZ 065	IG2½	AL	2	M2	81	58	52	20	42	66	
KE - SZ 075	IG2	AL	2	M2	89	50	38	20	42	67	
KE - SZ 075	IG2½	AL	2	M2	89	64,5	42	20	42	67	
KE - SZ 075	IG3	AL	2	M2	89	64,5	39	22	45	67	
KE - SZ 090	IG3	AL	2	M2	105	78	40	22	50	68	
KE - SZ 100	IG4	AL	2	M2	115	89,5	47	25	50	71	
KE - SZ 110	IG4	AL	2	M2	133	100	48	25	68	71	
KE - SZ 110	IG4½	AL	2	M2	133	100	48	25	68	71	
KE - SZ 125	IG5	AL	2	M2	148	115	52	28	75	73	
KE - SZ 150	IG6	AL	2	M2	160	130	60	30	85	75	

We deliver fundamentally with white DS-Seal rings, for high pressure and low pressure. (acc. to KE-TD-11)

NG = Nominal size
G = Thread
W = Material
KL = Cable length
KA = Lug distance
Li. = Inner diameter
M = Lugs removed

According to Directive 2014/68/EU for pressure equipment:

Usable for hazardous gases and liquids of group 1 up to 10 bar and up to DN 100

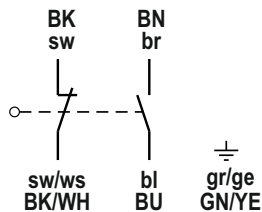
For example in pneumatic conveyor systems with combustible dusts etc.

Result of the evaluation of ignition danger acc. to DIN EN ISO 80079-36:

The couplings (without switches) have no potential source of ignition on their own.

Wiring connection

Cable 5 x 0.75 mm²
Cable length (KL) 2 = 2 m
5 = 5 m
0 = 10 m



007-AP00

Technical data

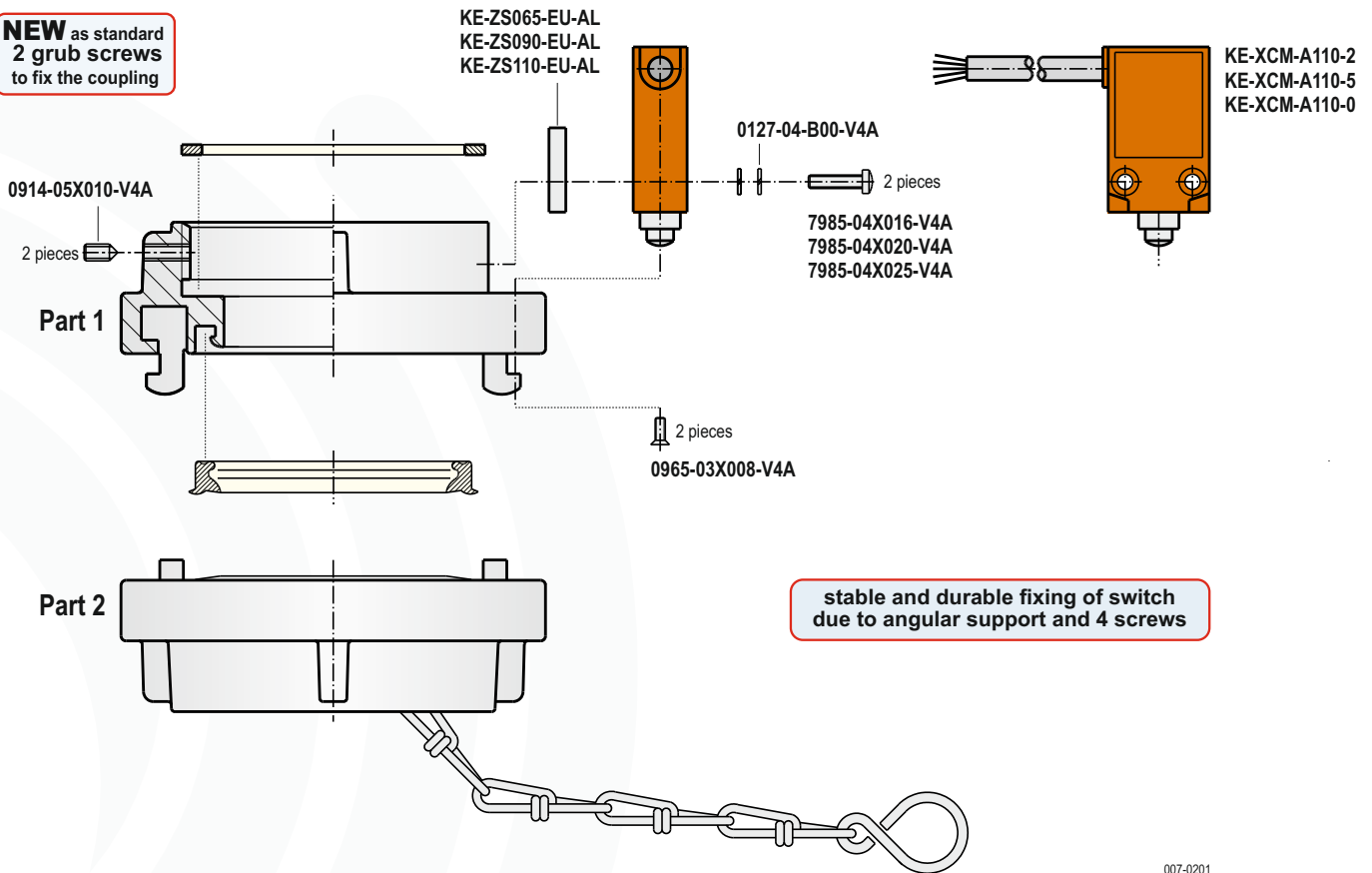
Materials	(W)	AL = Aluminium AV = Aluminium/1.4581 / 318 or 1.457X MS = Brass VA = 1.4581 / 318 or 1.457X
Switch		Zn-Al alloy
Varnish coating	Switch	red
Mounting position		any
Ambient temperature		-25 °C ... +70 °C
Capacity of the contact		1.5 A / 250 V AC
Switching function		1 NC and 1 NO
Type of protection		IP67/IP65 acc. to DIN EN 60529
Maintenance		none

ATEX option

B0 Dust  II 3D Ex tc IIIB T80 °C Dc

Single parts

NEW as standard
2 grub screws
to fix the coupling



Order code Part 1

	NG	G	W	
K - FSZ 052	IG2	AL	E	
K - FSZ 065	IG2	AL	E	
K - FSZ 065	IG2½	AL	E	
K - FSZ 075	IG2	AL	E	
K - FSZ 075	IG2½	AL	E	
K - FSZ 075	IG3	AL	E	
K - FSZ 090	IG3	AL	E	
K - FSZ 100	IG4	AL	E	
K - FSZ 110	IG4	AL	E	
K - FSZ 110	IG4½	AL	E	
K - FSZ 125	IG5	AL	E	
K - FSZ 150	IG6	AL	E	

Order code Part 2

	NG	W	M
K - BSZ052	AL	-	M2
K - BSZ065	AL	-	M2
K - BSZ065	AL	-	M2
K - BSZ075	AL	-	M2
K - BSZ075	AL	-	M2
K - BSZ075	AL	-	M2
K - BSZ075	AL	-	M2
K - BSZ090	AL	-	M2
K - BSZ100	AL	-	M2
K - BSZ110	AL	-	M2
K - BSZ110	AL	-	M2
K - BSZ125	AL	-	M2
K - BSZ150	AL	-	M2

NG = Nominal size
G = Thread
W = Material
M = Lugs removed

incl. seal rings

incl. seal rings and chain

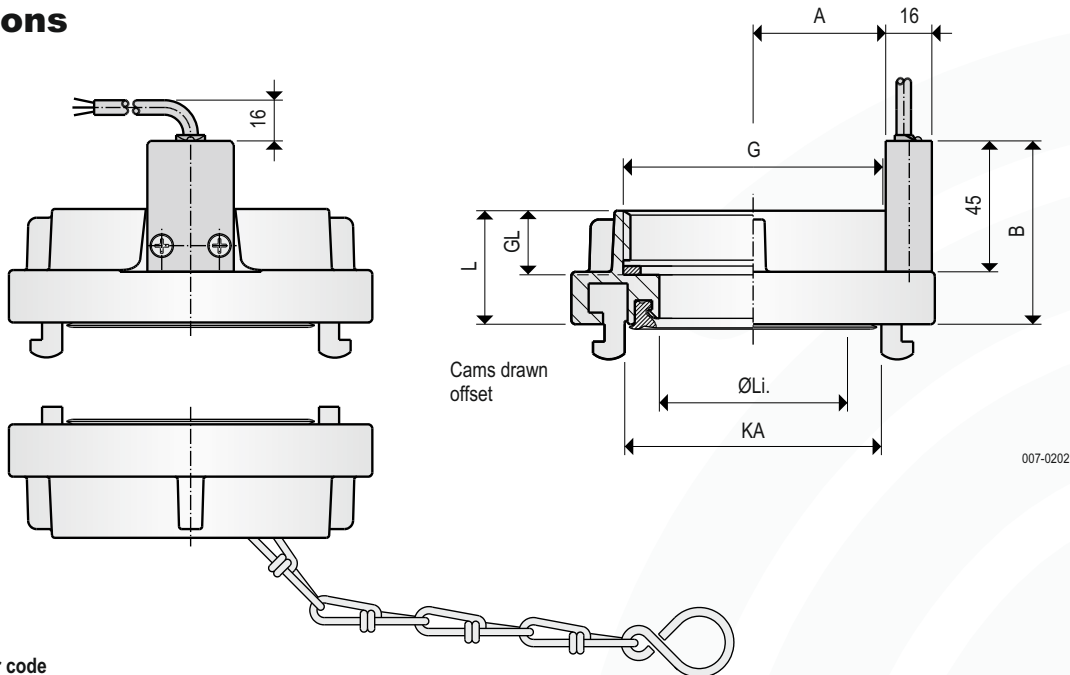
Seal rings and chains depending on the type and acc. to data sheet
K-TD-06 in MOLOSp-info „Hose couplings and accessories“

Materials (W)

AL = Aluminium
AV = Aluminium/1.4581 / 318 or 1.457X
VA = 1.4581 / 318 or 1.457X
MS = Brass

Appliance information

Dimensions



Order code

Type	NG	G	W	KL	M	KA	Li.	L	GL	A	B
KI - SZ 052	IG2	AL	2	M2		66	44,5	40	20	32	62
KI - SZ 065	IG2	AL	2	M2		81	45	37	20	42	62
KI - SZ 065	IG2½	AL	2	M2		81	58	52	20	42	62
KI - SZ 075	IG2	AL	2	M2		89	50	38	20	42	63
KI - SZ 075	IG2½	AL	2	M2		89	64,5	42	20	42	63
KI - SZ 075	IG3	AL	2	M2		89	64,5	39	22	45	63
KI - SZ 090	IG3	AL	2	M2		105	78	40	22	50	64
KI - SZ 100	IG4	AL	2	M2		115	89,5	47	25	50	67
KI - SZ 110	IG4	AL	2	M2		133	100	48	25	68	67
KI - SZ 110	IG4½	AL	2	M2		133	100	48	25	68	67
KI - SZ 125	IG5	AL	2	M2		148	115	52	28	75	70
KI - SZ 150	IG6	AL	2	M2		160	130	60	30	85	71

We deliver fundamentally with white DS-Seal rings, for high pressure and low pressure. (acc. to KE-TD-11)

- NG = Nominal size
- G = Thread
- W = Material
- KL = Cable length
- KA = Lug distance
- Li. = Inner diameter
- M = Lugs removed

According to Directive 2014/68/EU for pressure equipment:
Usable for hazardous gases and liquids of group 1 up to 10 bar and up to DN 100

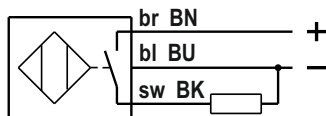
For example in pneumatic conveyor systems with combustible dusts etc.

Result of the evaluation of ignition danger acc. to DIN EN ISO 80079-36:

The couplings (without switches) have no potential source of ignition on their own.

Wiring connection

Cable 3 x 0.34 mm²
Cable length (KL) 2 = 2 m
5 = 5 m
0 = 10 m



TURCK BI3U

007-AP01

Technical data

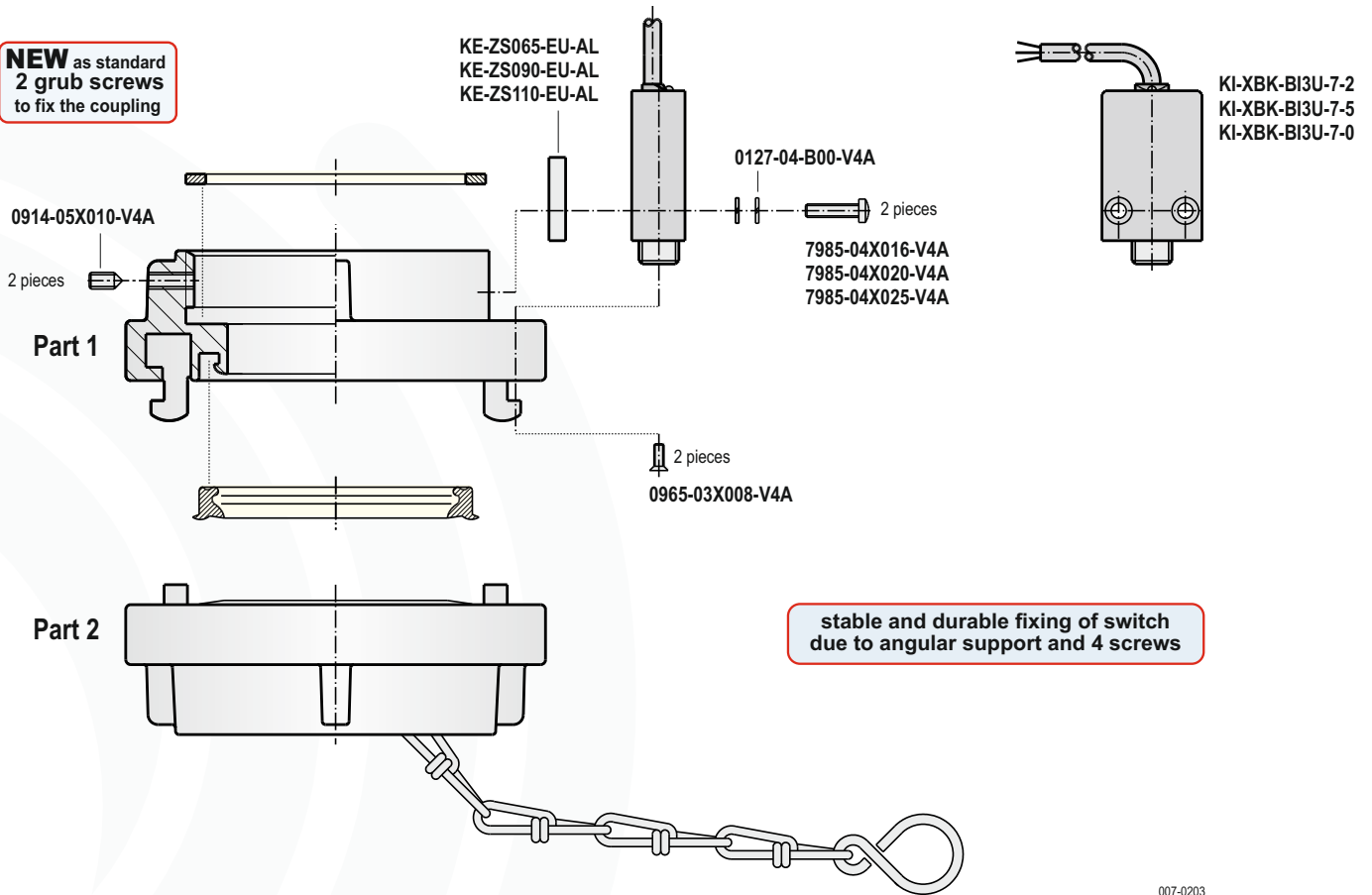
Materials	(W)	AL = Aluminium AV = Aluminium/1.4581 / 318 or 1.457X MS = Brass VA = 1.4581 / 318 or 1.457X
Switch active surface		CuZn, chromium plated PA12-GF30
Mounting position		any
Ambient temperature		-20 °C ... +60 °C
Supply voltage		10 ... 30 V DC
Load current capacity		≥ 200 mA, constant current
Switching function		PNP, Normally open
Type of protection		IP68/IP65 acc. to DIN EN 60529
Maintenance		none

ATEX option

B0 **Dust** II 3D Ex tc IIIC T110 °C Dc

Single parts

NEW as standard
2 grub screws
to fix the coupling



Order code Part 1

	NG	G	W	
K - FSZ 052	IG2	AL	E	
K - FSZ 065	IG2	AL	E	
K - FSZ 065	IG2½	AL	E	
K - FSZ 075	IG2	AL	E	
K - FSZ 075	IG2½	AL	E	
K - FSZ 075	IG3	AL	E	
K - FSZ 090	IG3	AL	E	
K - FSZ 100	IG4	AL	E	
K - FSZ 110	IG4	AL	E	
K - FSZ 110	IG4½	AL	E	
K - FSZ 125	IG5	AL	E	
K - FSZ 150	IG6	AL	E	

Order code Part 2

	NG	W	M
K - BSZ052	AL	-	M2
K - BSZ065	AL	-	M2
K - BSZ065	AL	-	M2
K - BSZ075	AL	-	M2
K - BSZ075	AL	-	M2
K - BSZ075	AL	-	M2
K - BSZ075	AL	-	M2
K - BSZ090	AL	-	M2
K - BSZ100	AL	-	M2
K - BSZ110	AL	-	M2
K - BSZ110	AL	-	M2
K - BSZ125	AL	-	M2
K - BSZ150	AL	-	M2

NG = Nominal size
G = Thread
W = Material
M = Lugs removed

incl. seal rings

incl. seal rings and chain

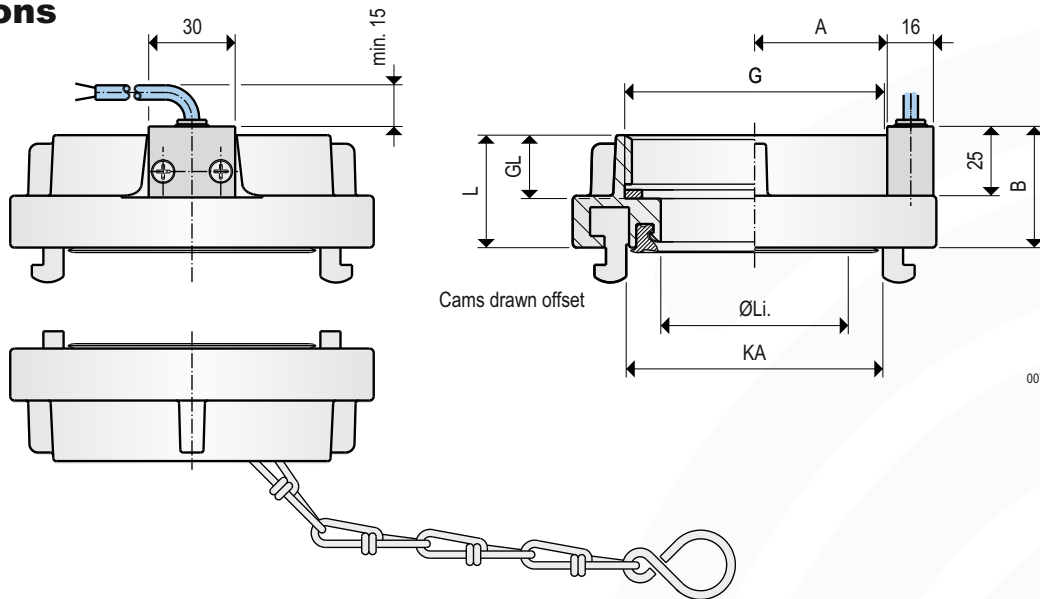
Seal rings and chains depending on the type and acc. to data sheet
K-TD-06 in MOLOSp-info „Hose couplings and accessories“

Materials (W)

AL = Aluminium
AV = Aluminium/1.4581 / 318 or 1.457X
VA = 1.4581 / 318 or 1.457X
MS = Brass

Appliance information

Dimensions



007-0204

Order code

Type	NG	G	W	KL	M	KA	Li.	L	GL	A	B
KN - SZ 052	IG2	AL	2	M2	66	44,5	40	20	32	41,5	
KN - SZ 065	Ig2	AL	2	M2	81	45	37	20	42	41,5	
KN - SZ 065	Ig2½	AL	2	M2	81	58	52	20	42	41,5	
KN - SZ 075	Ig2	AL	2	M2	89	50	38	20	42	42,5	
KN - SZ 075	Ig2½	AL	2	M2	89	64,5	42	20	42	42,5	
KN - SZ 075	Ig3	AL	2	M2	89	64,5	39	22	45	42,5	
KN - SZ 090	IG3	AL	2	M2	105	78	40	22	50	43,5	
KN - SZ 100	IG4	AL	2	M2	115	89,5	47	25	50	46,5	
KN - SZ 110	IG4	AL	2	M2	133	100	48	25	68	46,5	
KN - SZ 110	IG4½	AL	2	M2	133	100	48	25	68	46,5	
KN - SZ 125	IG5	AL	2	M2	148	115	52	28	75	57,5	
KN - SZ 150	IG6	AL	2	M2	160	130	60	30	85	58,5	

We deliver fundamentally with white DS-Seal rings, for high pressure and low pressure. (acc. to KE-TD-11)

NG = Nominal size
G = Thread
W = Material
KL = Cable length
KA = Lug distance
Li. = Inner diameter
M = Lugs removed

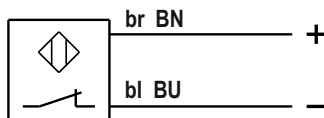
According to Directive 2014/68/EU for pressure equipment:
Usable for hazardous gases and liquids of group 1 up to 10 bar and up to DN 100

For example in pneumatic conveyor systems with combustible dusts etc.

Result of the evaluation of ignition danger acc. to DIN EN ISO 80079-36:
The couplings (without switches) have no potential source of ignition on their own.

Wiring connection

Cable 2 x 0.34 mm²
Cable length (KL) 2 = 2 m
5 = 5 m
0 = 10 m



Pepperl+Fuchs NJ4

007-AP03

Technical data

Materials (W) AL = Aluminium
AV = Aluminium/1.4581 / 318 or 1.457X
MS = Brass
VA = 1.4581 / 318 or 1.457X

Switch PBTP (Polybutylenterephthalat)

Mounting position any

Ambient temperature -25 °C ... +60 °C

Nominal voltage 8 V DC (Ri approx. 1 kΩ)

Power consumption activated: ≤ 1 mA
not activated: ≥ 3 mA

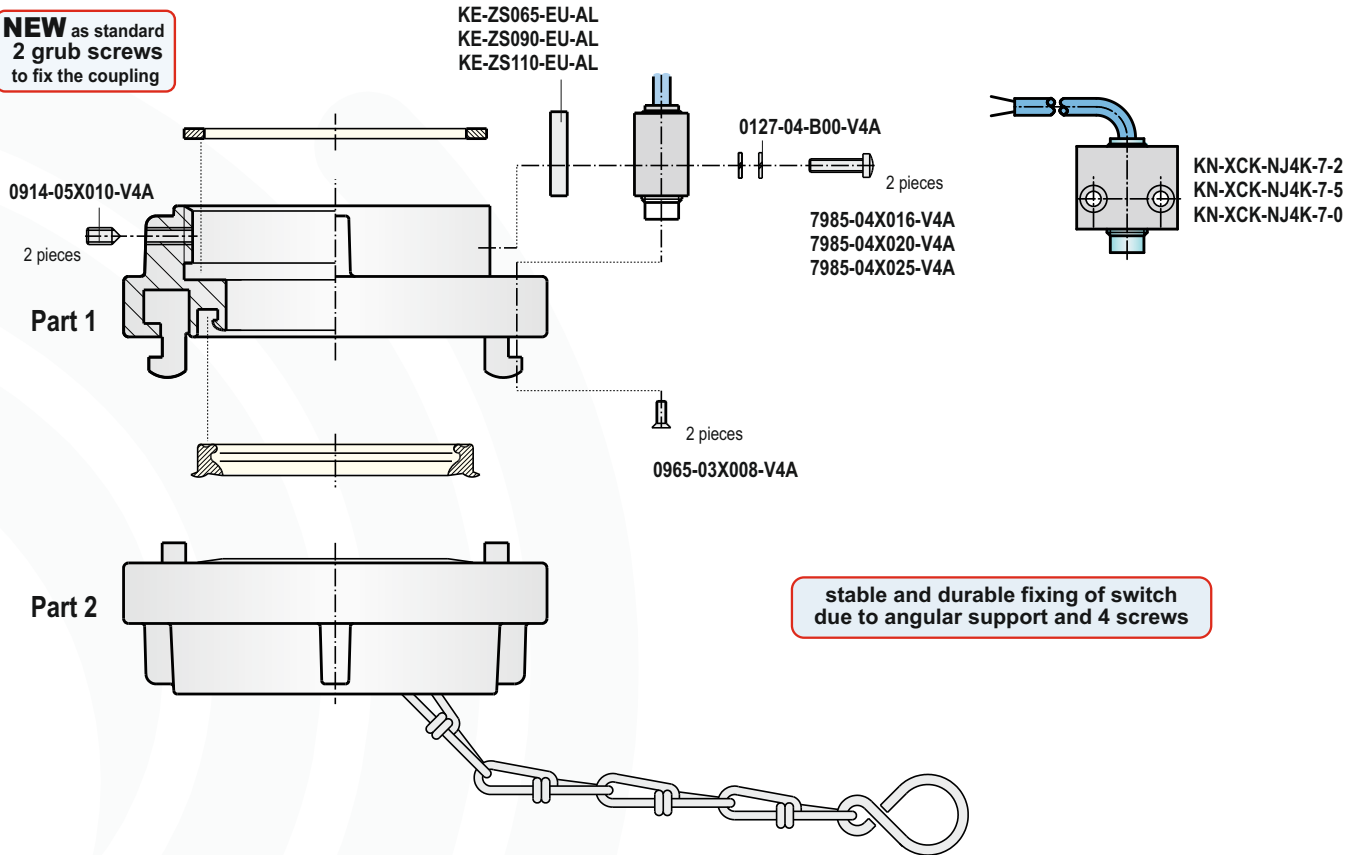
Type of protection IP68/IP65 acc. to DIN EN 60529

Maintenance none

ATEX option Gas and Dust  II 2G Ex ia IIC T6...T1 Gb
and II 1D Ex ia IIIC T₂₀₀ 135°C Da

Single parts

NEW as standard
 2 grub screws
 to fix the coupling



007-0205

Order code Part 1

	NG	G	W		
K - FSZ 052	IG2	AL	E		
K - FSZ 065	IG2	AL	E		
K - FSZ 065	IG2½	AL	E		
K - FSZ 075	IG2	AL	E		
K - FSZ 075	IG2½	AL	E		
K - FSZ 075	IG3	AL	E		
K - FSZ 075	IG3	AL	E		
K - FSZ 090	IG3	AL	E		
K - FSZ 100	IG4	AL	E		
K - FSZ 110	IG4	AL	E		
K - FSZ 110	IG4½	AL	E		
K - FSZ 125	IG5	AL	E		
K - FSZ 150	IG6	AL	E		

Order code Part 2

	NG	W	M
K - BSZ052	AL	-	M2
K - BSZ065	AL	-	M2
K - BSZ065	AL	-	M2
K - BSZ075	AL	-	M2
K - BSZ075	AL	-	M2
K - BSZ075	AL	-	M2
K - BSZ075	AL	-	M2
K - BSZ090	AL	-	M2
K - BSZ100	AL	-	M2
K - BSZ110	AL	-	M2
K - BSZ110	AL	-	M2
K - BSZ125	AL	-	M2
K - BSZ150	AL	-	M2

NG = Nominal size
 G = Thread
 W = Material
 M = Lugs removed

incl. seal rings

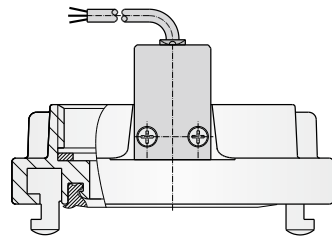
incl. seal rings and chain

Seal rings and chains depending on the type and acc. to data sheet
 K-TD-06 in MOLOSp-info „Hose couplings and accessories“

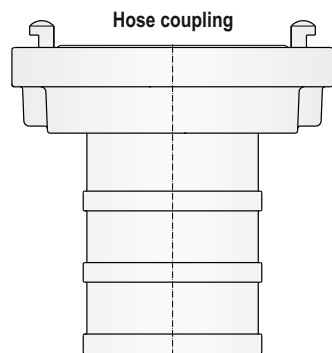
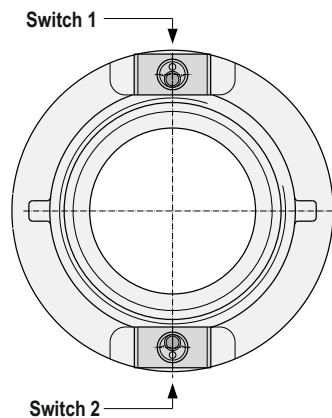
Materials (W)
 AL = Aluminium
 AV = Aluminium/1.4581 / 318 or 1.457X
 VA = 1.4581 / 318 or 1.457X
 MS = Brass

Appliance information

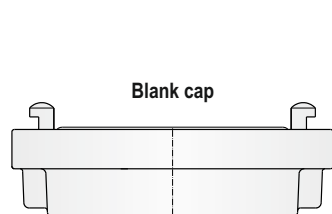
Illustrations



Fixed coupling



Hose coupling



Blank cap

Counter coupling

007-0234

Versions

The coding can be carried out with all three limit switch variants KE, KI and KN and can be mounted at couplings of all sizes.

Dimensions, technical data, ATEX options and connections see under:

KE mechanical limit switch	KEIN-GI-02
KI inductive limit switch	KEIN-GI-04
KN inductive limit switch NAMUR	KEIN-GI-06

2 inductive limit switches can also be mounted at VK and AVK couplings.

The coupling with inside thread has two built-in limit switches.

During the coupling of a counter coupling either one or two limit switches will be actuated.

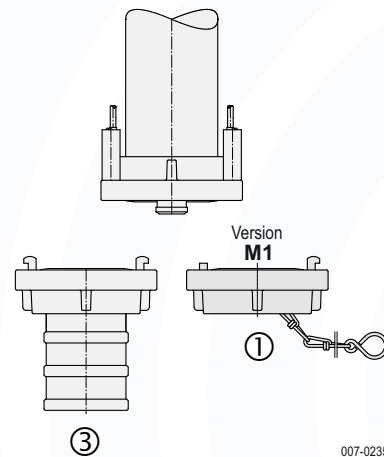
So, in this way can be identified which counter coupling has been coupled at the moment.

Example of application

Silo filling process 1

Sensing whether silo trailer ③ or blanc cap ① has been coupled.

- Coupling ③ of the silo trailer is actuating two switches
- Blank cap ① actuates one switch.



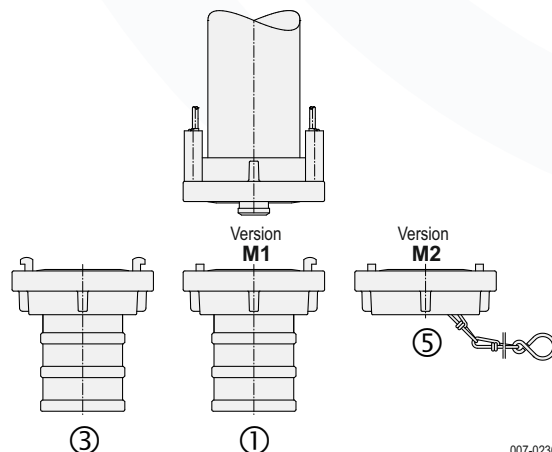
007-0235

Silo filling process 2

Sensing whether silo trailer ③ or coupling ① has been coupled.

E.g. coupling ① is interoffice production inert gas - or dry air overlay

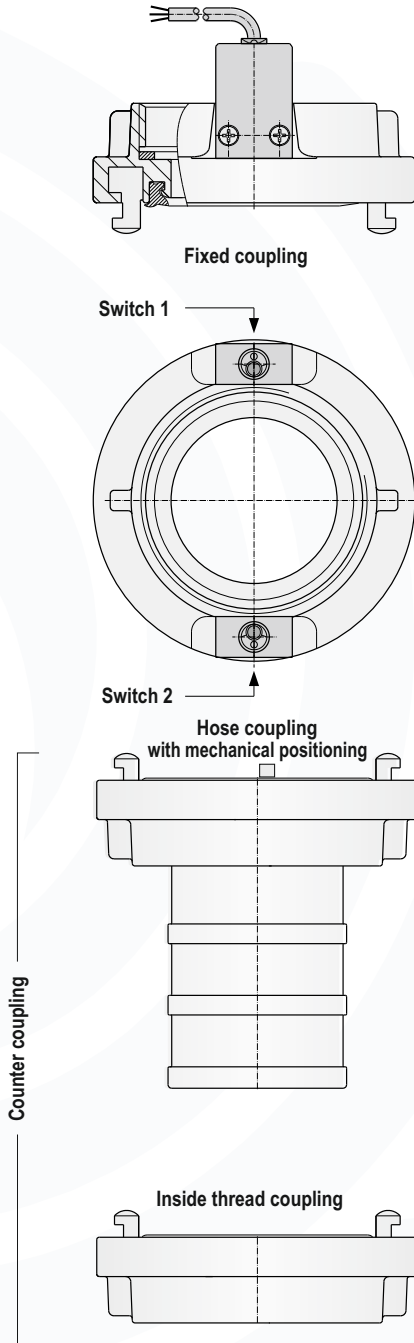
- Silo trailer ③ actuates two switches
- Coupling ① actuates one switch
- The blanc cap ⑤ actuates no switch



007-0236

Appliance information

Illustrations



007-0337

Versions

The coding can be carried out with all three limit switch variants KE, KI and KN and can be mounted at couplings of all sizes.

Dimensions, technical data, ATEX options and connections see under:

KE	mechanical limit switch	KEIN-GI-02
KI	inductive limit switch	KEIN-GI-04
KN	inductive limit switch NAMUR	KEIN-GI-06

2 inductive limit switches can also be mounted at KAMLOK - couplings (AVK).

The coupling with inside thread has two built-in limit switches and a blocking. The blocking allows a coupling at one position only.

During the coupling of a counter coupling the switch 1, switch 2 or both switches will be actuated.

So, in this way can be identified which hose coupling has been coupled at the moment.

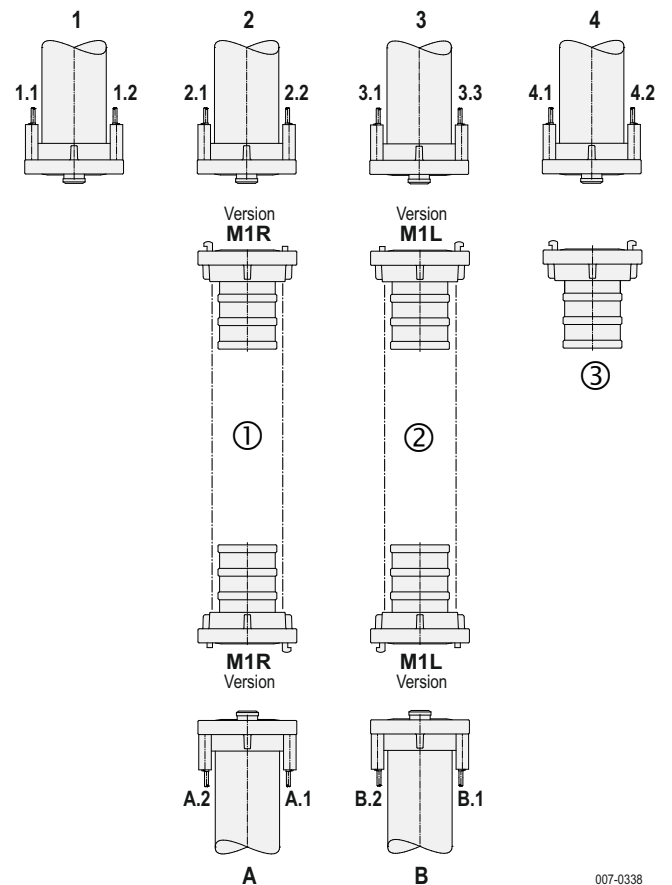
Example of application

Coupling station 4/2+1

Sensing whether hose ①, hose ② or the silo trailer ③ has been coupled.

- Hose coupling ① actuates only the switch Nr. x.1
- Hose coupling ② actuates only the switch Nr. x.2
- Silo trailer ③ actuates the switch x.1 and x.2

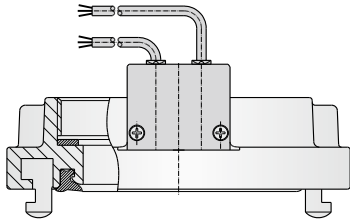
Further applications on demand.



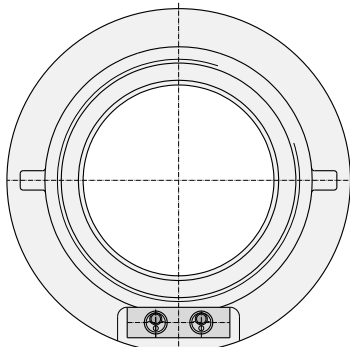
007-0338

Appliance information

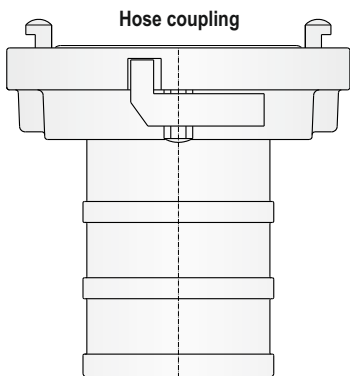
Illustrations



Fixed coupling

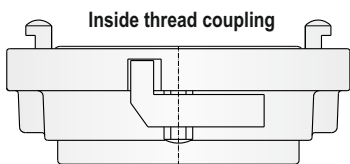


Switch 2 Switch 1



Hose coupling

Counter coupling



Inside thread coupling

007-0242

Type selection

Fixed coupling with integrated double limit switch

Order code				
Type	NG	G	W	KL
KI D SZ 110	IG3	AL	2	
KI D SZ 110	IG4	AL	2	
KI D SZ 110	IG4½	AL	2	

NG = Nominal size
G = Thread
W = Material
KL = Cable length
2=2 m 5=5 m 0=10 m

I = inductive limit switch
N = inductive limit switch NAMUR

Materials (W) AL = Aluminium
AV = Aluminium/1.4571 / 316 Ti
VA = 1.4571 / 316 Ti
MS = Brass

Switching system

The coupling with inside thread has two built-in inductive limit switches as double switches beneath.

The counter coupling is coded in that way that either switch 1, switch 2 or switch 1 and 2 will be actuated.

So, in this way can be identified which counter coupling has been coupled at the moment.

Counter coupling

Order code		actuates switch number	
		1	2
K- . SZ110 - XXX - SP - CD - AL - 06		●	
K- . SZ110 - XXX - SP - CD - AL - 09			●
K- . SZ110 - XXX - SP - CD - AL - 15		●	●

Coding 1/3
with a
double limit switch

fill out Ø of hose nozzle e.g. 080 for Ø 80 mm
or enter thread size e.g. IG4

S = Hose coupling
L = Inside thread coupling

Versions

Available for the coupling size 110-A
Counter coupling (e.g. Hose coupling always with locking pawl)

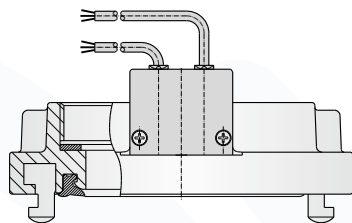
The coding can be carried out resp. is available with the two limit switch varieties KI and KN.

Dimensions, technical data, ATEX options see under:

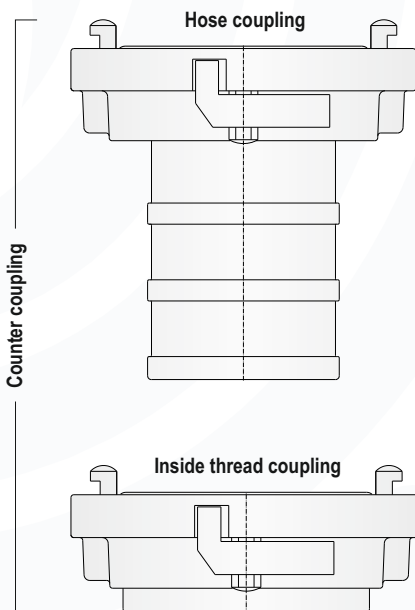
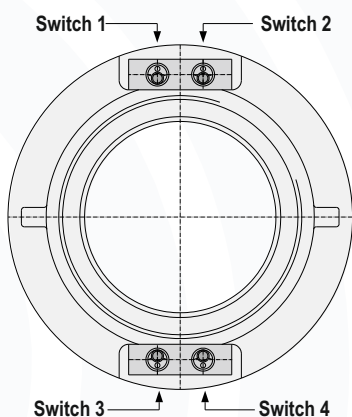
KI inductive double limit switch **KEIN-GI-39**
KN inductive limit switch NAMUR **on demand**

Appliance information

Illustrations



Fixed coupling



Counter coupling

007-0339

Versions

Available for the coupling size 110-A
Counter coupling (e.g. Hose coupling always with locking pawl)

The coding can be carried out resp. is available with the two limit switch varieties KI and KN.

Dimensions, technical data, ATEX options see under:

KI inductive limit switch KEIN-GI-38 / KEIN-GI-39
KN inductive limit switch NAMUR on request

Type selection

Fixed coupling for coding 1/7 with 3 limit switches

Order code				
Typ	NG	G	W	KL
KI 3 SZ 110	IG3	CN	AL	2
KI 3 SZ 110	IG4	CN	AL	2
KI 3 SZ 110	IG4½	CN	AL	2

NG = Nominal size
G = Thread
W = Material
KL = Cable length
2=2 m 5=5 m 0=10 m

Fixed coupling for coding 1/15 with 4 limit switches

Order code				
Typ	NG	G	W	KL
KI 4 SZ 110	IG3	CN	AL	2
KI 4 SZ 110	IG4	CN	AL	2
KI 4 SZ 110	IG4½	CN	AL	2

I = inductive limit switch
N = inductive limit switch NAMUR

Materials (W) AL = Aluminium
AV = Aluminium/1.4571 / 316 Ti
VA = 1.4571 / 316 Ti
MS = Brass

Switching system

The coupling with inside thread has optional three or four built-in limit switches and a blocking. The blocking allows a coupling at one position only.

During the coupling of a counter coupling a combination of limit switches will be actuated.

So, in this way can be identified which counter coupling has been coupled at the moment.

Counter coupling

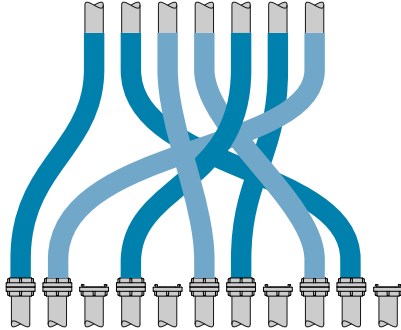
Order code	actuates switch number			
	4	3	2	1
K- . SZ110-XXX-SP-CS-AL-01				•
K- . SZ110-XXX-SP-CS-AL-02			•	•
K- . SZ110-XXX-SP-CS-AL-03			•	•
K- . SZ110-XXX-SP-CS-AL-04		•		
K- . SZ110-XXX-SP-CS-AL-05		•		•
K- . SZ110-XXX-SP-CS-AL-06		•	•	
K- . SZ110-XXX-SP-CS-AL-07		•	•	•
K- . SZ110-XXX-SP-CS-AL-08	•			
K- . SZ110-XXX-SP-CS-AL-09	•			•
K- . SZ110-XXX-SP-CS-AL-10	•		•	
K- . SZ110-XXX-SP-CS-AL-11	•		•	•
K- . SZ110-XXX-SP-CS-AL-12	•	•		
K- . SZ110-XXX-SP-CS-AL-13	•	•		•
K- . SZ110-XXX-SP-CS-AL-14	•	•	•	
K- . SZ110-XXX-SP-CS-AL-15	•	•	•	•

fill out Ø of hose nozzle e.g. Ø80 for Ø 80 mm
or enter thread size e.g. IG4

S = Hose coupling
L = Inside thread coupling

Appliance information

Example of application 1



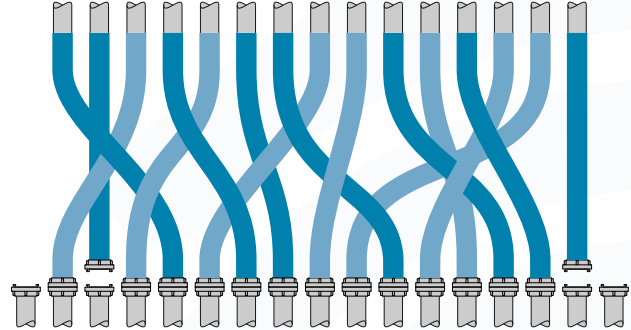
007-0240-1

Coupling station 11/7

Couplings with inside thread KI3-SZ110 ... with 3 switches
(max. 7 hose couplings)

Signalling: Which hose has been coupled at which coupling?

Example of application 2



007-0241-1

Coupling station 17/15

Couplings with inside thread KI4-SZ110 ... with 4 switches
(max. 15 hose couplings)

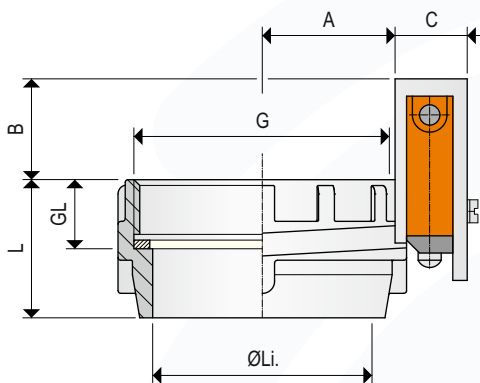
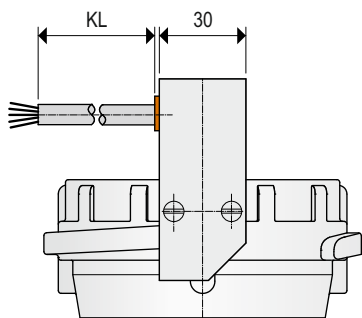
Signalling: Which hose has been coupled at which coupling?

Notes

The page contains a large grid for notes, with a faint watermark of the Mollet logo on the left side.

Appliance information

Dimensions



007-0206

Order code

Type	NG	G	W	KL	Li.	L	GL	A	B	C
KE - VK 080	IG3	AL	2	76	47	24.5	45.7	35	25	
KE - VK 100	IG4	AL	2	95	47	24.5	58.5	35	30	

NG = Nominal size
G = Thread
W = Material
KL = Cable length
Li. = Inner diameter

According to Directive 2014/68/EU for pressure equipment:

Usable for hazardous gases and liquids of group 1 up to 10 bar and up to DN 100

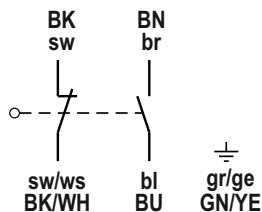
For example in pneumatic conveyor systems with combustible dusts etc.

Result of the evaluation of ignition danger acc. to DIN EN ISO 80079-36:
The couplings (without switches) have no potential source of ignition on their own.

Seal ring depending on type and acc. to data sheet KE-GI-09.

Wiring connection

Cable 5 x 0.75 mm²
Cable length (KL) 2 = 2 m
5 = 5 m
0 = 10 m



007-AP00

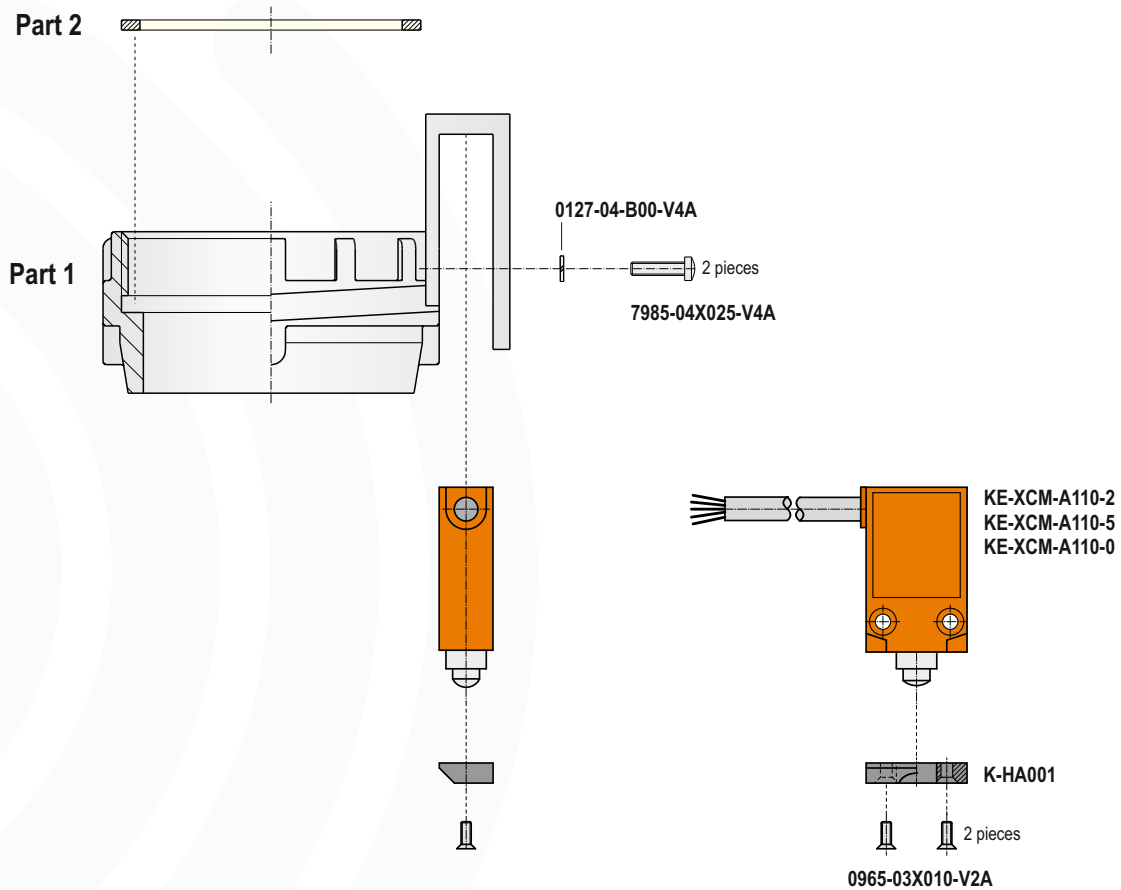
Technical data

Materials	(W)	AL = Aluminium MS = Brass VA = 1.4408 / 316
Switch		Zn-Al alloy
Varnish coating	Switch	red
Mounting position		any
Ambient temperature		-25 °C ... +70 °C
Capacity of the contact		1.5 A / 250 V AC
Switching function		1 NC and 1 NO
Type of protection		IP67/IP65 acc. to DIN EN 60529
Maintenance		none

ATEX option

B0 Dust  II 3D Ex tc IIIB T80 °C Dc

Single parts



007-0207

Order code Part 1

	NG	G	W	
K - FVK 080	IG3	AL	E	
K - FVK 080	IG3	MS	E	
K - FVK 080	IG3	VA	E	
K - FVK 100	IG4	MS	E	
K - FVK 100	IG4	VA	E	

Order code Part 2

Seal ring	Material
K-TWIG3DRG-PU	Polyurethan, blue
K-TWIG3DRG-PU	Polyurethan, blue
K-TWIG3DRG-PT	PTFE, white
K-TWIG4DRG-PU	Polyurethan, blue
K-TWIG4DRG-PT	PTFE, white

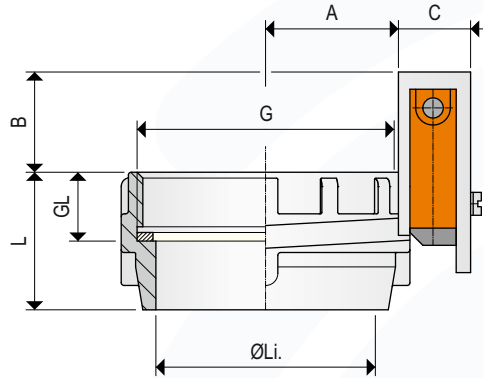
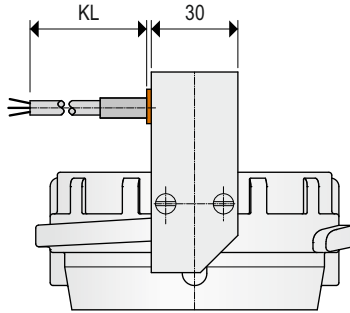
NG = Nominal size
G = Thread
W = Material

incl. seal ring

Materials (W) AL = Aluminium
MS = Brass
VA = 1.4408 / 316

Appliance information

Dimensions



007-0208

Order code

Type	NG	G	W	KL	Li.	L	GL	A	B	C
KI - VK 080	IG3	AL	3	3	76	47	24.5	45.7	35	25
KI - VK 100	IG4	MS	3	3	95	47	24.5	58.5	35	30

NG = Nominal size
G = Thread
W = Material
KL = Cable length
Li. = Inner diameter

According to Directive 2014/68/EU for pressure equipment:
Usable for hazardous gases and liquids of group 1 up to 10 bar and up to DN 100

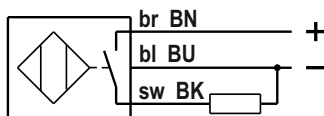
For example in pneumatic conveyor systems with combustible dusts etc.

Result of the evaluation of ignition danger acc. to DIN EN ISO 80079-36:
The couplings (without switches) have no potential source of ignition on their own.

Seal ring depending on type and acc. to data sheet KE-GI-11.

Wiring connection

Cable 3 x 0.34 mm²
Cable length (KL) 3 = 3 m
5 = 5 m
0 = 10 m



BALLUFF 356

007-AP01

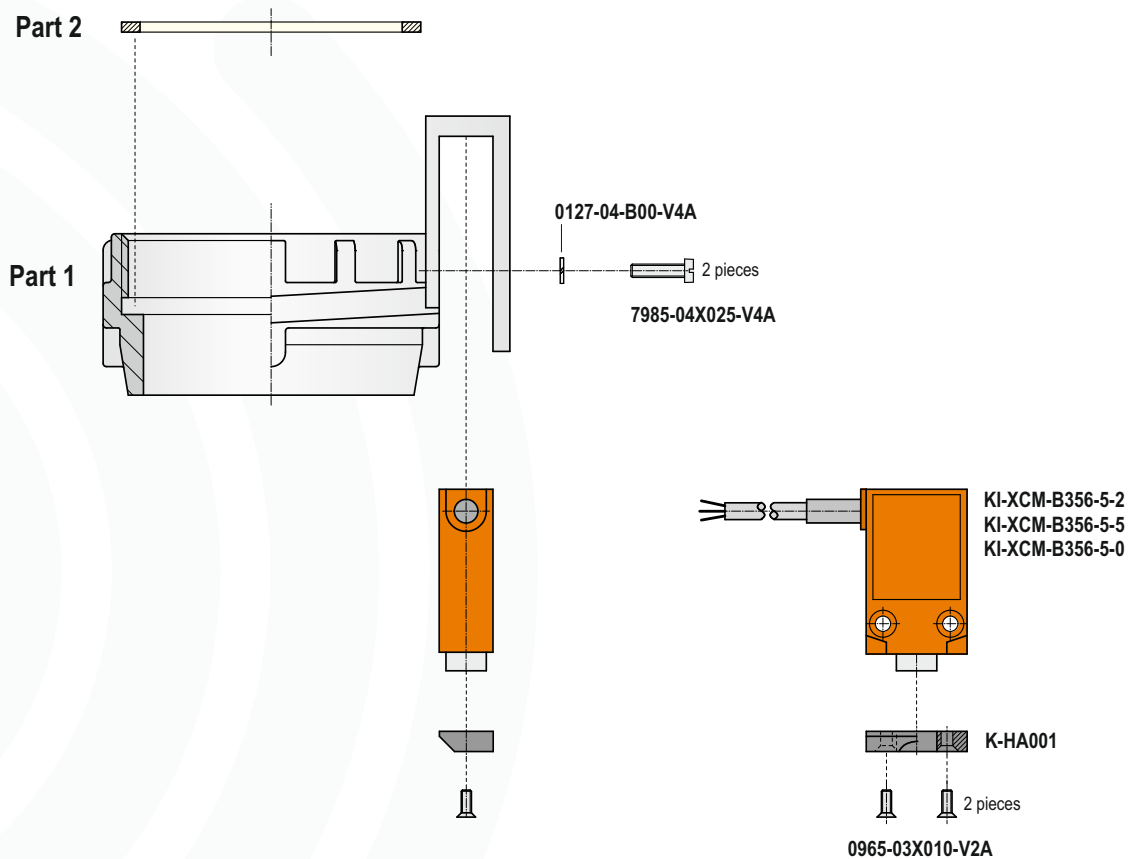
Technical data

Materials	(W)	AL = Aluminium MS = Brass VA = 1.4408 / 316
	Switch active surface	CuZn, nickel plated PBT
Mounting position		any
Ambient temperature		-20 °C ... +60 °C
Supply voltage		10 ... 30 V DC
Load current capacity		≥ 130 mA, constant current
Switching function		PNP, Normally open
Type of protection		IP68/IP65 acc. to DIN EN 60529
Maintenance		none

ATEX option

B0 Dust II 3D Ex tc IIIB T90 °C Dc

Single parts



007-0209

Order code Part 1

	NG	G	W	
K - FVK 080	IG3	AL	E	
K - FVK 080	IG3	MS	E	
K - FVK 080	IG3	VA	E	
K - FVK 100	IG4	MS	E	
K - FVK 100	IG4	VA	E	

Order code Part 2

Seal ring	Material
K-TWIG3DRG-PU	Polyurethan, blue
K-TWIG3DRG-PU	Polyurethan, blue
K-TWIG3DRG-PT	PTFE, white
K-TWIG4DRG-PU	Polyurethan, blue
K-TWIG4DRG-PT	PTFE, white

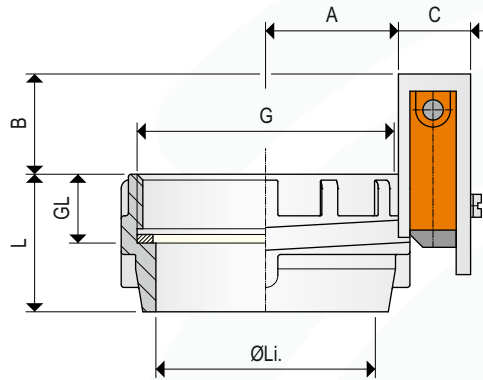
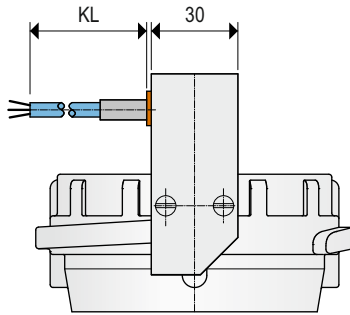
NG = Nominal size
G = Thread
W = Material

incl. seal ring

Materials (W) AL = Aluminium
MS = Brass
VA = 1.4408 / 316

Appliance information

Dimensions



007-0208

Order code

Type	NG	G	W	KL	Li.	L	GL	A	B	C
KN - VK 080	IG3	AL	2		76	47	24.5	45.7	35	25
KN - VK 100	IG4	AL	2		95	47	24.5	58.5	35	30

NG = Nominal size
G = Thread
W = Material
KL = Cable length
Li. = Inner diameter

According to Directive 2014/68/EU for pressure equipment:
Usable for hazardous gases and liquids of group 1 up to 10 bar and up to DN 100

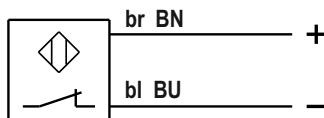
For example in pneumatic conveyor systems with combustible dusts etc.

Result of the evaluation of ignition danger acc. to DIN EN ISO 80079-36:
The couplings (without switches) have no potential source of ignition on their own.

Seal ring depending on type and acc. to data sheet KE-GI-13.

Wiring connection

Cable 2 x 0.34 mm²
Cable length (KL) 2 = 2 m
5 = 5 m
0 = 10 m



Pepperl+Fuchs NJ4

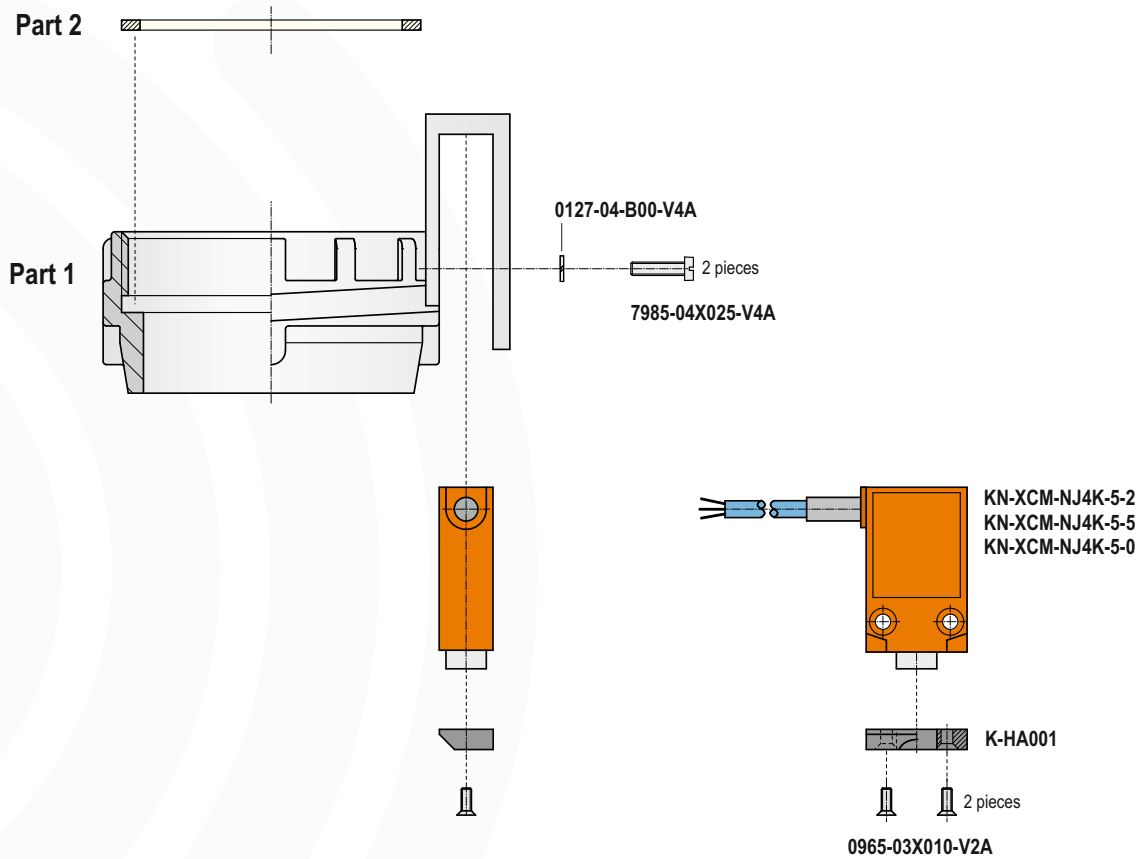
007-AP03

Technical data

Materials	(W) AL = Aluminium MS = Brass VA = 1.4408 / 316
Switch	PBTP (Polybutylenterephthalat)
Mounting position	any
Ambient temperature	-25 °C ... +60 °C
Nominal voltage	8 V DC (Ri approx. 1 kΩ)
Power consumption	activated: ≤ 1 mA not activated: ≥ 3 mA
Type of protection	IP68/IP65 acc. to DIN EN 60529
Maintenance	none

ATEX option Gas and Dust  II 2G Ex ia IIC T6...T1 Gb
and II 1D Ex ia IIIC T₂₀₀ 135°C Da

Single parts



007-0210

Order code Part 1

	NG	G	W	
K - FVK 080	IG3	AL	E	
K - FVK 080	IG3	MS	E	
K - FVK 080	IG3	VA	E	
K - FVK 100	IG4	MS	E	
K - FVK 100	IG4	VA	E	

Order code Part 2

Seal ring	Material
K-TWIG3DRG-PU	Polyurethan, blue
K-TWIG3DRG-PU	Polyurethan, blue
K-TWIG3DRG-PT	PTFE, white
K-TWIG4DRG-PU	Polyurethan, blue
K-TWIG4DRG-PT	PTFE, white

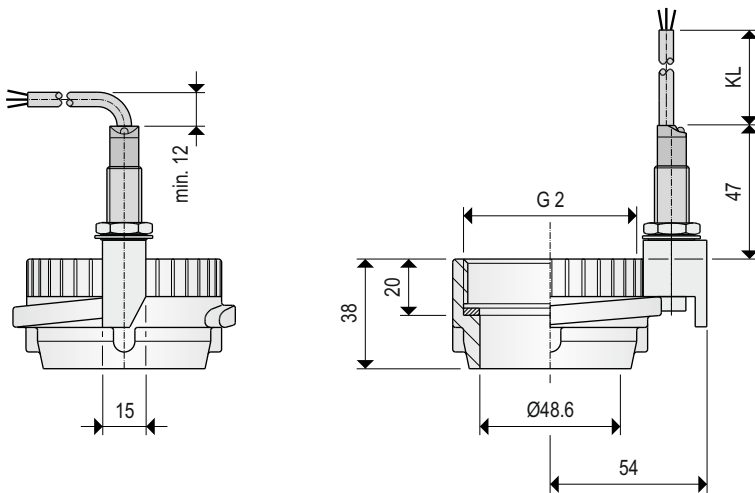
NG = Nominal size
G = Thread
W = Material

incl. seal ring

Materials (W) AL = Aluminium
MS = Brass
VA = 1.4408 / 316

Appliance information

Dimensions



Order code

Type	NG	G	W	KL
KI - VK	050	IG2	MS	2
KI - VK	050	IG2	VA	2

NG = Nominal size
G = Thread
W = Material
KL = Cable length

According to Directive 2014/68/EU for pressure equipment:

Usable for hazardous gases and liquids of group 1 up to 10 bar and up to DN 100

For example in pneumatic conveyor systems with combustible dusts etc.

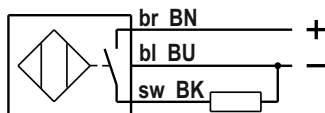
Result of the evaluation of ignition danger acc. to DIN EN ISO 80079-36:

The couplings (without switches) have no potential source of ignition on their own.

007-0211

Wiring connection

Cable 3 x 0.34 mm²
Cable length (KL) 2 = 2 m
5 = 5 m
0 = 10 m



TURCK BI3U

007-AP01

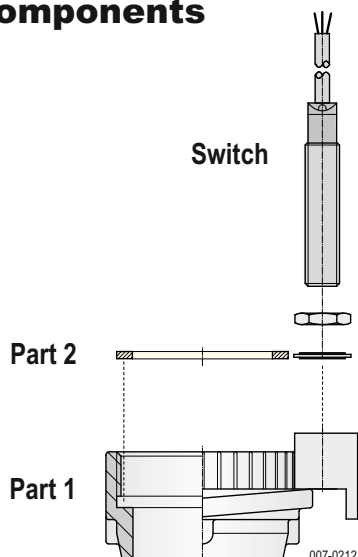
Technical data

Materials	(W)	AL = Aluminium VA = 1.4408 / 316
Switch active surface		CuZn, chromium plated PA12-GF30
Mounting position		any
Ambient temperature		-20 °C ... +60 °C
Supply voltage		10 ... 30 V DC
Load current capacity		≥ 200 mA, constant current
Switching function		PNP, Normally open
Type of protection		IP68/IP65 acc. to DIN EN 60529
Maintenance		none

ATEX-Option

B0 **Dust**  II 3D Ex tc IIIC T110 °C Dc

Components



Order code switch

Switch
KI - BI3U - M12 AP - 2
KI - BI3U - M12 AP - 5
KI - BI3U - M12 AP - 0

Order code Part 1

NG	G	W	E
K - FVK 050	IG2	MS	E
K - FVK 050	IG2	VA	E

incl. seal ring

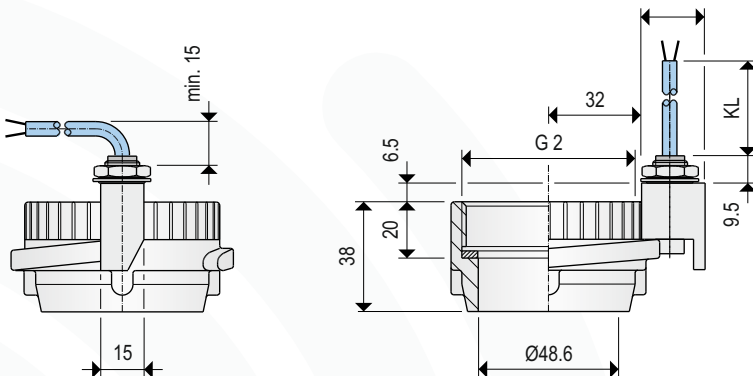
NG = Nominal size
G = Thread
W = Material

Order code Part 2

Seal ring	Material
K-TWIG2DRG-PU	Polyurethan, blue
K-TWIG2DRG-PT	PTFE, white

Appliance information

Dimensions



007-0213

Order code

Type	NG	G	W	KL
KN - VK 050 IG2 MS	2			
KN - VK 050 IG2 VA	2			

NG = Nominal size
G = Thread
W = Material
KL = Cable length

According to Directive 2014/68/EU for pressure equipment:

Usable for hazardous gases and liquids of group 1 up to 10 bar and up to DN 100

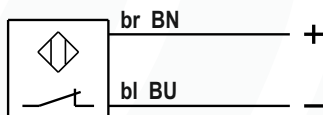
For example in pneumatic conveyor systems with combustible dusts etc.

Result of the evaluation of ignition danger acc. to DIN EN ISO 80079-36:

The couplings (without switches) have no potential source of ignition on their own.

Wiring connection

Cable 2 x 0.34 mm²
Cable length (KL) 2 = 2 m
5 = 5 m
0 = 10 m



Pepperl+Fuchs NJ4

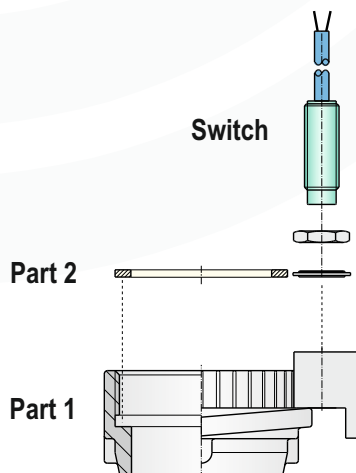
007-AP03

Technical data

Materials	(W)	MS = Brass VA = 1.4408 / 316
Switch		PBTP (Polybutylenterephthalat)
Mounting position		any
Ambient temperature		-25 °C ... +60 °C
Nominal voltage		8 V DC (Ri approx. 1 kΩ)
Power consumption		activated: ≤ 1 mA not activated: ≥ 3 mA
Type of protection		IP68/IP65 acc. to DIN EN 60529
Maintenance		none

ATEX-Option **Gas** and **Dust** and **Ex** II 2G Ex ia IIC T6...T1 Gb
and II 1D Ex ia IIIC T₂₀₀ 135°C Da

Components



Order code switch

Switch
KN - NJ4K - M12 - 2
KN - NJ4K - M12 - 5
KN - NJ4K - M12 - 0

Order code Part 1

NG	G	W
K - FVK 050 IG2 MS	E	
K - FVK 050 IG3 VA	E	

inkl. seal ring

Order code Part 2

Seal ring	Material
K-TWIG2DRG-PU	Polyurethan, blue
K-TWIG2DRG-PT	PTFE, white

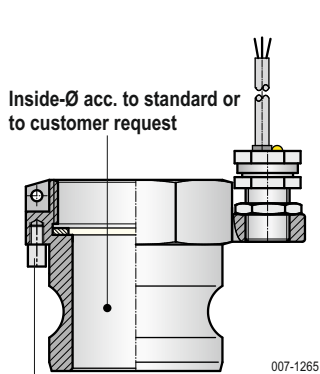
NG = Nominal size
G = Thread
W = Material

Appliance information

Lever couplings with limit switch

Father couplings Camlock

with inside thread (I)



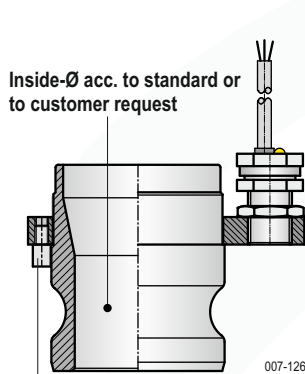
Pin for positioning

Order code				
Type	DN	G	W	KL
KI-AVK025-IG1	VA	2		
KI-AVK032-IG1¼	VA	2		
KI-AVK040-IG1½	VA	2		
KI-AVK050-IG2	VA	2		
KI-AVK065-IG2½	VA	2		
KI-AVK080-IG3	VA	2		
KI-AVK100-IG4	VA	2		

DN = Nominal size
W = Material
KL = Cable length

Father couplings Camlock

with welding end (R)



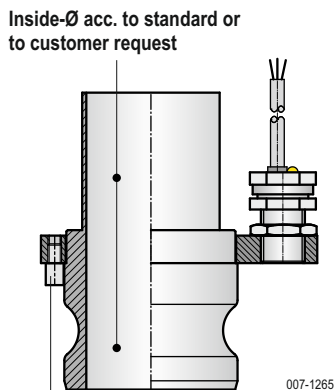
Pin for positioning

Order code				
Type	DN	W	KL	Pipe
KI-AVK025-R-VA	2	33.7x2.6		
KI-AVK032-R-VA	2	42.4x2.6		
KI-AVK040-R-VA	2	48.3x2.6		
KI-AVK050-R-VA	2	60.3x2.9		
KI-AVK065-R-VA	2	76.1x2.9		
KI-AVK080-R-VA	2	88.9x3.2		
KI-AVK100-R-VA	2	114.3x3.6		

DN = Nominal size
W = Material
KL = Cable length

Father couplings Camlock

with pipe-connection / hose nipple / welding end (G)



Pin for positioning

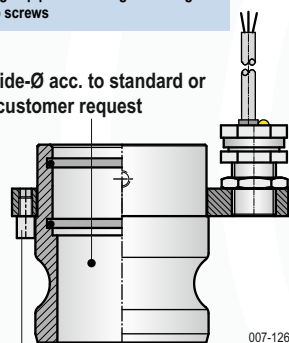
Order code				
Type	DN	Pipe	W	KL
KI-AVK040-G038VA	2	38x1.5		
KI-AVK040-G040VA	2	40x1.5		
KI-AVK050-G050VA	2	50x1.5		
KI-AVK065-G065VA	2	65x1.5		
KI-AVK080-G080VA	2	80x2.0		
KI-AVK100-G100VA	2	100x2.0		

DN = Nominal size
W = Material
KL = Cable length

Father couplings Camlock

with coupling sleeve connection (M)

Use only for suction operation mode
Sealing of pipe with O-ring and fixing with 2 grub screws



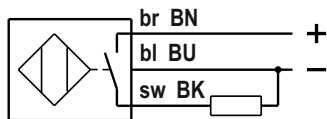
Pin for positioning

Order code				
Type	DN	Pipe	W	KL
KI-AVK040-M038VA	2	38x1.5		
KI-AVK040-M040VA	2	40x1.5		
KI-AVK050-M050VA	2	50x1.5		
KI-AVK065-M065VA	2	65x1.5		
KI-AVK080-M080VA	2	80x2.0		
KI-AVK100-M100VA	2	100x2.0		

DN = Nominal size
W = Material
KL = Cable length

Wiring connection

Cable 3 x 0.34 mm²
Cable length (KL) 2 = 2 m
5 = 5 m
0 = 10 m



Turck BI3U

007-AP01

Technical data

Materials	(W) AVK	VA = 1.4571 / 316 Ti
	Clamp mounting	CuZn, nickel plated
	Switch	CuZn, chromium plated
	Active surface	PA12-GF30
Mounting position		any
Ambient temperature		-20 °C ... +60 °C
Supply voltage		10 ... 30 V DC
Load current capacity		≤ 200 mA, constant current
Switching function		PNP, Normally open
Type of protection		IP68/IP65 acc. to DIN EN 60529
Maintenance		none

ATEX option

B0 Dust  II 3D Ex tc IIC T110 °C Dc

Result of the evaluation of ignition danger acc. to DIN EN ISO 80079-36:

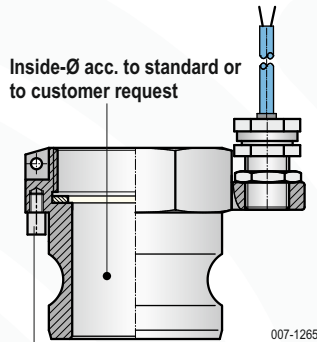
The couplings (without switches) have no potential source of ignition on their own.

Appliance information

Lever couplings with limit switch

Father couplings Camlock

with inside thread (I)



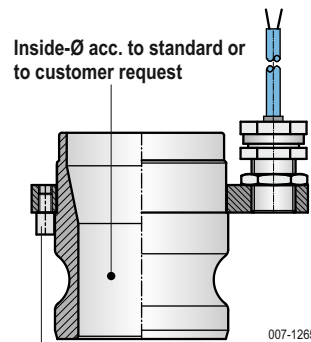
Pin for positioning

Order code				
Type	DN	G	W	KL
KN-AVK025-IG1	VA	2		
KN-AVK032-IG1	¼ VA	2		
KN-AVK040-IG1	½ VA	2		
KN-AVK050-IG2	VA	2		
KN-AVK065-IG2	½ VA	2		
KN-AVK080-IG3	VA	2		
KN-AVK100-IG4	VA	2		

DN = Nominal size
W = Material
KL = Cable length

Father couplings Camlock

with welding end (R)



Pin for positioning

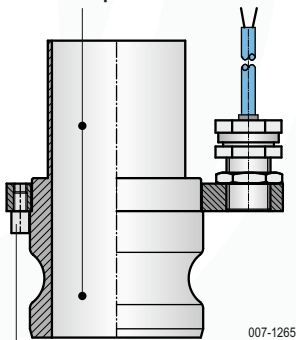
Order code				
Type	DN	W	KL	Pipe
KN-AVK025-R-VA	2			33.7x2.6
KN-AVK032-R-VA	2			42.4x2.6
KN-AVK040-R-VA	2			48.3x2.6
KN-AVK050-R-VA	2			60.3x2.9
KN-AVK065-R-VA	2			76.1x2.9
KN-AVK080-R-VA	2			88.9x3.2
KN-AVK100-R-VA	2			114.3x3.6

DN = Nominal size
W = Material
KL = Cable length

Father couplings Camlock

with pipe-connection / hose nipple / welding end (G)

Inside-Ø acc. to standard or to customer request



Pin for positioning

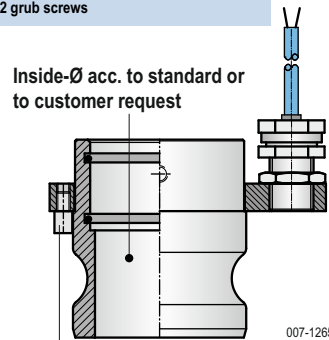
Order code				
Type	DN	Pipe W	KL	Pipe
KN-AVK040-G038VA	2	38x1.5		
KN-AVK040-G040VA	2	40x1.5		
KN-AVK050-G050VA	2	50x1.5		
KN-AVK065-G065VA	2	65x1.5		
KN-AVK080-G080VA	2	80x2.0		
KN-AVK100-G100VA	2	100x2.0		

DN = Nominal size
W = Material
KL = Cable length

Father couplings Camlock

with coupling sleeve connection (M)

Use only for suction operation mode
Sealing of pipe with O-ring and fixing with 2 grub screws



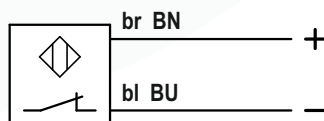
Pin for positioning

Order code				
Type	DN	Pipe W	KL	Pipe
KN-AVK040-M038VA	2	38x1.5		
KN-AVK040-M040VA	2	40x1.5		
KN-AVK050-M050VA	2	50x1.5		
KN-AVK065-M065VA	2	65x1.5		
KN-AVK080-M080VA	2	80x2.0		
KN-AVK100-M100VA	2	100x2.0		

DN = Nominal size
W = Material
KL = Cable length

Wiring connection

Cable 2 x 0.34 mm²
Cable length (KL) 2 = 2 m
5 = 5 m
0 = 10 m



Pepperl+Fuchs NJ4

007-AP03

Technical data

Materials (W) AVK VA = 1.4571 / 316 Ti
Clamp mounting CuZn, nickel plated
Switch PBTP (Polybutylenterephthalat)

Mounting position any

Ambient temperature -25 °C ... +60 °C

Supply voltage 8 V DC (Ri approx. 1 kΩ)

Power consumption activated: ≤ 1 mA
not activated: ≥ 3 mA

Type of protection IP68/IP65 acc. to DIN EN 60529

Maintenance none

ATEX option Gas and Dust **Ex** II 2G Ex ia IIC T6...T1 Gb
and II 1D Ex ia IIIIC T₂₀₀ 135°C Da

Result of the evaluation of ignition danger acc. to DIN EN ISO 80079-36:
The couplings (without switches) have no potential source of ignition on their own.

Single parts

Lever couplings with limit switch

Father couplings Camlock

inductive limit switch

- KI-BI3U-M12AP-2
- KI-BI3U-M12AP-5
- KI-BI3U-M12AP-0

inductive limit switch NAMUR

- KN-NJ4K-M12-2
- KN-NJ4K-M12-5
- KN-NJ4K-M12-0

Device holder

Type	DN
K-MVK-GHA040	
K-MVK-GHA050	
K-MVK-GHA065	
K-MVK-GHA080	
K-MVK-GHA100	

Clamp mounting with nut

- K-KH-12-2S

with inside thread (I)

Type	DN	G	W
K-AVK025-IG1		GHA-VA	
K-AVK032-IG1¼		GHA-VA	
K-AVK040-IG1½		GHA-VA	
K-AVK050-IG2		GHA-VA	
K-AVK065-IG2½		GHA-VA	
K-AVK080-IG3		GHA-VA	
K-AVK100-IG4		GHA-VA	

with welding end (R)

Type	DN	W	Pipe
K-AVK025-R-VA		33.7x2.6	
K-AVK032-R-VA		42.4x2.6	
K-AVK040-R-VA		48.3x2.6	
K-AVK050-R-VA		60.3x2.9	
K-AVK065-R-VA		76.1x2.9	
K-AVK080-R-VA		88.9x3.2	
K-AVK100-R-VA		114.3x3.6	

with pipe-connection (G)

Type	DN	Pipe W	Pipe
K-AVK040-G038VA		38x1.5	
K-AVK040-G040VA		40x1.5	
K-AVK050-G050VA		50x1.5	
K-AVK065-G065VA		65x1.5	
K-AVK080-G080VA		80x2.0	
K-AVK100-G100VA		100x2.0	

with coupling sleeve (M)

Type	DN	Pipe W	Pipe
K-AVK040-M038VA		38x1.5	
K-AVK040-M040VA		40x1.5	
K-AVK050-M050VA		50x1.5	
K-AVK065-M065VA		65x1.5	
K-AVK080-M080VA		80x2.0	
K-AVK100-M100VA		100x2.0	

0927-05x007-V2A

0916-06x008-V4A

0914-06x010-V4A

007-1265

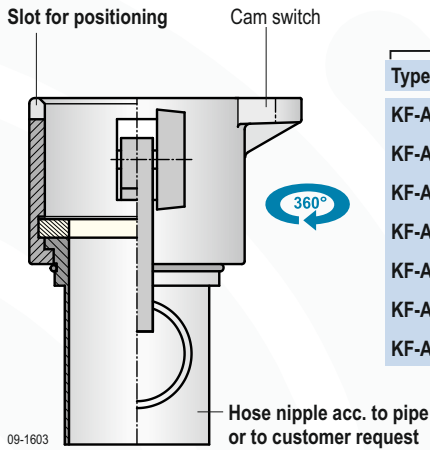
According to Directive 2014/68/EU for pressure equipment:
 Usable for hazardous gases and liquids of group 1 up to 10 bar and up to DN 100
 For example in pneumatic conveyor systems with combustible dusts etc.

Couplings depending on the model (see offer or order)
Dimensions according to DIN EN 14420-7 (DIN 2828)
Seal rings depending on the order

Appliance information

Lever couplings with cam switch

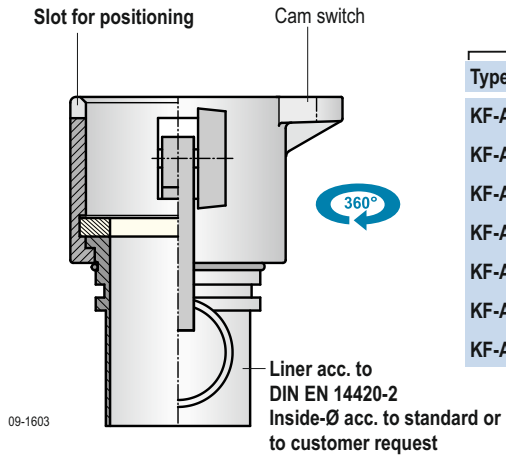
Mother couplings Camlock with hose nipple and turnable lever part (DG)



Order code				
Type	DN	Nipple W	Pipe	
KF-AMK040-DG038VA	38	x1.5		
KF-AMK040-DG040VA	40	x1.5		
KF-AMK050-DG050VA	50	x1.5		
KF-AMK065-DG065VA	65	x1.5		
KF-AMK080-DG075VA	75	x1.5		
KF-AMK080-DG080VA	80	x2.0		
KF-AMK100-DG100VA	100	x2.0		

09-1603

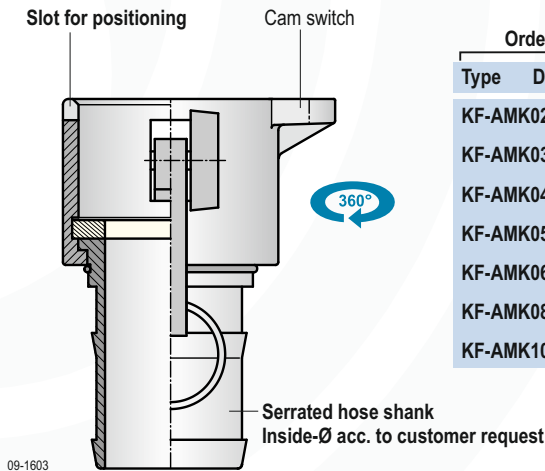
Mother couplings Camlock with liner and turnable lever part (DS)



Order code				
Type	DN	Nipple W		
KF-AMK025-DS025VA	25			
KF-AMK032-DS032VA	32			
KF-AMK040-DS038VA	40			
KF-AMK050-DS050VA	50			
KF-AMK065-DS063VA	65			
KF-AMK080-DS075VA	80			
KF-AMK100-DS100VA	100			

09-1603

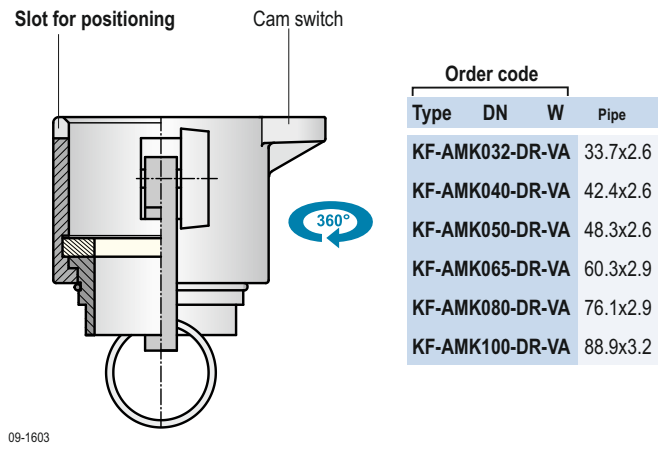
Mother couplings Camlock with serrated hose shank and turnable lever part (DC)



Order code			
Type	DN	Nipple W	
KF-AMK025-DC025VA	25		
KF-AMK032-DC032VA	32		
KF-AMK040-DC038VA	40		
KF-AMK050-DC050VA	50		
KF-AMK065-DC063VA	65		
KF-AMK080-DC075VA	80		
KF-AMK100-DC100VA	100		

09-1603

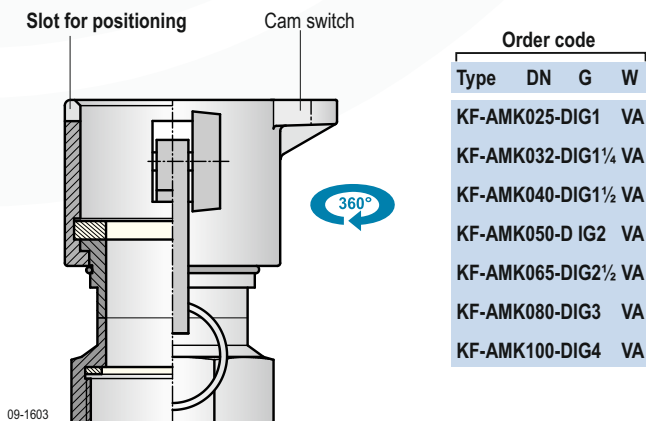
Mother couplings Camlock with welding end and turnable lever part (DR)



Order code				
Type	DN	W	Pipe	
KF-AMK032-DR-VA	33.7	x2.6		
KF-AMK040-DR-VA	42.4	x2.6		
KF-AMK050-DR-VA	48.3	x2.6		
KF-AMK065-DR-VA	60.3	x2.9		
KF-AMK080-DR-VA	76.1	x2.9		
KF-AMK100-DR-VA	88.9	x3.2		

09-1603

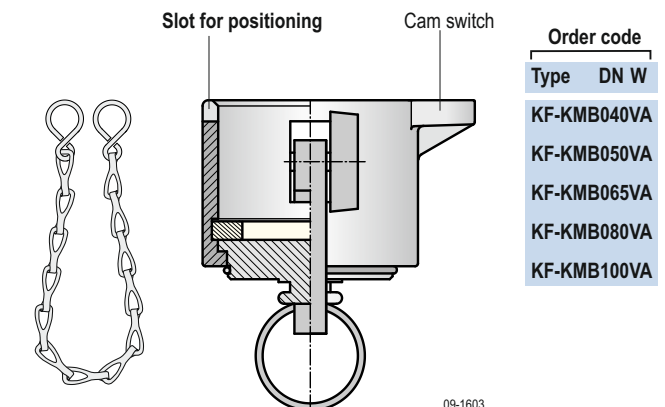
Mother couplings Camlock with inside thread and turnable lever part (DI)



Order code				
Type	DN	G	W	
KF-AMK025-DIG1 VA	25			
KF-AMK032-DIG1¼ VA	32			
KF-AMK040-DIG1½ VA	40			
KF-AMK050-D IG2 VA	50			
KF-AMK065-DIG2½ VA	65			
KF-AMK080-DIG3 VA	80			
KF-AMK100-DIG4 VA	100			

09-1603

End cap Camlock KMB with chain and S-hook



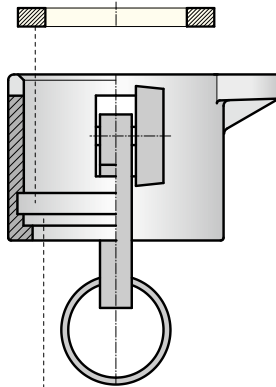
Order code		
Type	DN	W
KF-KMB040VA	40	
KF-KMB050VA	50	
KF-KMB065VA	65	
KF-KMB080VA	80	
KF-KMB100VA	100	

09-1603

Single parts

Lever couplings with cam switch

Mother couplings Camlock



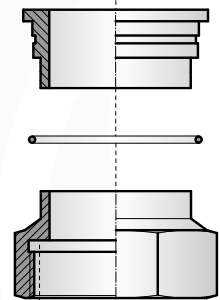
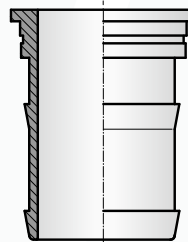
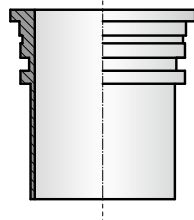
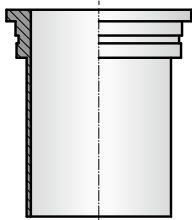
Turnable level part (D)

Type	DN	W
K-AMK025-D-ESF-VA		
K-AMK032-D-ESF-VA		
K-AMK040-D-ESF-VA		
K-AMK050-D-ESF-VA		
K-AMK065-D-ESF-VA		
K-AMK080-D-ESF-VA		
K-AMK100-D-ESF-VA		

Welding end (R)

Type	DN	W	Pipe
K-MK025-DR-VA		33.7x2.6	
K-MK032-DR-VA		42.4x2.6	
K-MK040-DR-VA		48.3x2.6	
K-MK050-DR-VA		60.3x2.9	
K-MK065-DR-VA		76.1x2.9	
K-MK080-DR-VA		88.9x3.2	
K-MK100-DR-VA		114.3x3.6	

09-6031



Hose nipple (G)

Type	DN	Nipple	W	Nipple
K-MK040-DG038VA		38x1.5		
K-MK040-DG040VA		40x1.5		
K-MK050-DG050VA		50x1.5		
K-MK065-DG065VA		65x1.5		
K-MK080-DG075VA		75x1.5		
K-MK080-DG080VA		80x2.0		
K-MK100-DG100VA		100x2.0		

Liner (S)

Type	DN	Nipple	W
K-MK025-DS025VA			
K-MK032-DS032VA			
K-MK040-DS038VA			
K-MK050-DS050VA			
K-MK065-DS063VA			
K-MK080-DS075VA			
K-MK100-DS100VA			

Serrated hose shank (C)

Type	DN	Nipple	W
K-MK025-DC025VA			
K-MK032-DC032VA			
K-MK040-DC038VA			
K-MK050-DC050VA			
K-MK065-DC063VA			
K-MK080-DC075VA			
K-MK100-DC100VA			

Inside thread (I)

Type	DN	G	W
K-MK025-DIG1 VA			
K-MK032-DIG1¼ VA			
K-MK040-DIG1½ VA			
K-MK050-DIG2 VA			
K-MK065-DIG2½ VA			
K-MK080-DIG3 VA			
K-MK100-DIG4 VA			

According to Directive 2014/68/EU for pressure equipment:
Usable for hazardous gases and liquids of group 1 up to 10 bar and up to DN 100
For example in pneumatic conveyor systems with combustible dusts etc.

Couplings depending on the model (see offer or order)
Dimensions according to DIN EN 14420-7 (DIN 2828)
Seal rings depending on the order

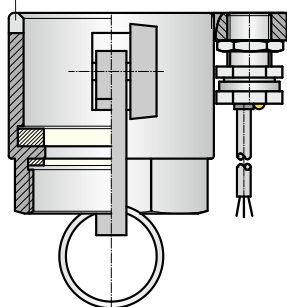
Appliance information

Lever couplings with limit switch

Mother couplings Camlock

with inside thread (I)

Slot for positioning



007-1217

Order code				
Type	DN	G	W	KL
KI-AMKI025-IG1	VA		2	
KI-AMKI032-IG1¼	VA		2	
KI-AMKI040-IG1½	VA		2	
KI-AMKI050-IG2	VA		2	
KI-AMKI065-IG2½	VA		2	
KI-AMKI080-IG3	VA		2	
KI-AMKI100-IG4	VA		2	

DN = Nominal size

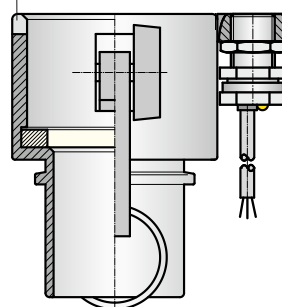
W = Material

KL = Cable length

Mother couplings Camlock

with liner (S)

Slot for positioning



Order code			
Type	DN	W	KL
KI-AMKS025	VA		2
KI-AMKS032	VA		2
KI-AMKS040	VA		2
KI-AMKS050	VA		2
KI-AMKS065	VA		2
KI-AMKS080	VA		2
KI-AMKS100	VA		2

DN = Nominal size

W = Material

KL = Cable length

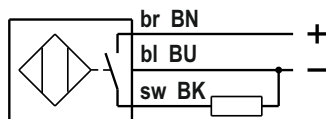
Wiring connection

Cable 3 x 0.34 mm²

Cable length (KL) 2 = 2 m

5 = 5 m

0 = 10 m



Turck BI3U

007-AP01

Technische Daten

Materials (W) AMK VA = 1.4401 / 316

Clamp mounting CuZn, nickel plated
Switch CuZn, chromium plated
Active surface PA12-GF30

Mounting position any

Ambient temperature -20 °C ... +60 °C

Supply voltage 10 ... 30 V DC

Load current capacity ≤ 200 mA, constant current

Switching function PNP, Normally open

Type of protection IP68/IP65 acc. to DIN EN 60529

Maintenance none

ATEX option

B0 Dust  II 3D Ex tc IIIC T110 °C Dc

Result of the evaluation of ignition danger acc. to DIN EN ISO 80079-36:

The couplings (without switches) have no potential source of ignition on their own.

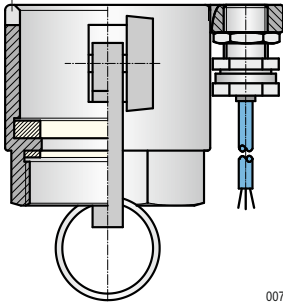
Appliance information

Lever couplings with limit switch

Mother couplings Camlock

with inside thread (I)

Slot for positioning



007-1217

Order code

Type	DN	G	W	KL
KN-AMKI025-IG1	VA	2		
KN-AMKI032-IG1¼	VA	2		
KN-AMKI040-IG1½	VA	2		
KN-AMKI050-IG2	VA	2		
KN-AMKI065-IG2½	VA	2		
KN-AMKI080-IG3	VA	2		
KN-AMKI100-IG4	VA	2		

DN = Nominal size

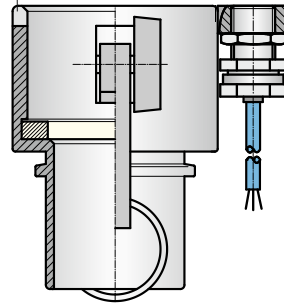
W = Material

KL = Cable length

Mother couplings Camlock

with liner (S)

Slot for positioning



Order code

Type	DN	W	KL
KN-AMKS025	VA	2	
KN-AMKS032	VA	2	
KN-AMKS040	VA	2	
KN-AMKS050	VA	2	
KN-AMKS065	VA	2	
KN-AMKS080	VA	2	
KN-AMKS100	VA	2	

DN = Nominal size

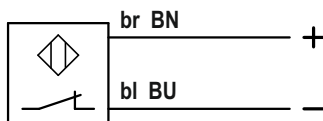
W = Material

KL = Cable length

Wiring connection

Cable 2 x 0.34 mm²

Cable length (KL) 2 = 2 m
5 = 5 m
0 = 10 m



Pepperl+Fuchs NJ4

007-AP03

Technical data

Werkstoffe (W) AMK VA = 1.4401 / 316
Clamp mounting CuZn, nickel plated
Switch PBTP (Polybutylenterephthalat)

Mounting position any

Ambient temperature -25 °C ... +60 °C

Supply voltage 8 V DC (Ri approx. 1 kΩ)

Power consumption activated: ≤ 1 mA
not activated: ≥ 3 mA

Type of protection IP68/IP65 acc. to DIN EN 60529

Maintenance none

ATEX option Gas and Dust **Ex** II 2G Ex ia IIC T6...T1 Gb
and II 1D Ex ia IIC T₂₀₀ 135°C Da

Result of the evaluation of ignition danger acc. to DIN EN ISO 80079-36:
The couplings (without switches) have no potential source of ignition on their own.

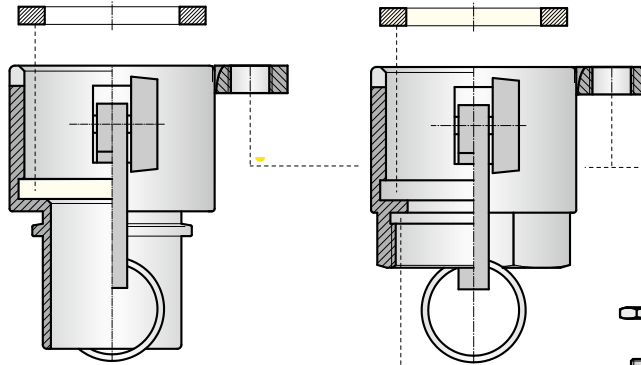
Single parts

Lever couplings with limit switch

Mother couplings Camlock

with liner (S)

Type	DN	W
K-AMKS025GHA-VA		
K-AMKS032GHA-VA		
K-AMKS040GHA-VA		
K-AMKS050GHA-VA		
K-AMKS065GHA-VA		
K-AMKS080GHA-VA		
K-AMKS100GHA-VA		



with inside thread (I)

Type	DN	G	W
K-AMKI025-IG1	GHA-VA		
K-AMKI032-IG1¼	GHA-VA		
K-AMKI040-IG1½	GHA-VA		
K-AMKI050-IG2	GHA-VA		
K-AMKI065-IG2½	GHA-VA		
K-AMKI080-IG3	GHA-VA		
K-AMKI100-IG4	GHA-VA		

Clamp mounting with nut

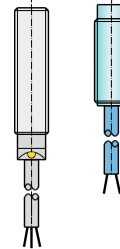
K-KH-12-2S

inductive limit switch

KI-BI3U-M12AP-2

KI-BI3U-M12AP-5

KI-BI3U-M12AP-0



inductive limit switch NAMUR

KN-NJ4K-M12-2

KN-NJ4K-M12-5

KN-NJ4K-M12-0

According to Directive 2014/68/EU for pressure equipment:
Usable for hazardous gases and liquids of group 1 up to 10 bar and up to DN 100
For example in pneumatic conveyor systems with combustible dusts etc.

Couplings depending on the model (see offer or order)
Dimensions according to DIN EN 14420-7 (DIN 2828)
Seal rings depending on the order

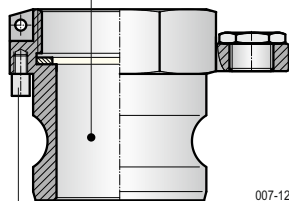
Appliance information

Lever couplings with cam switch

Father couplings Camlock

with inside thread (I)

Inside-Ø acc. to standard or to customer request



007-1265

Pin for positioning

Order code

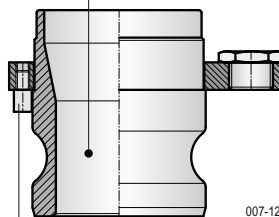
Type	DN	G	W
KF-AVK025-IG1	VA		
KF-AVK032-IG1¼	VA		
KF-AVK040-IG1½	VA		
KF-AVK050-IG2	VA		
KF-AVK065-IG2½	VA		
KF-AVK080-IG3	VA		
KF-AVK100-IG4	VA		

DN = Nominal size
W = Material
VA=1.4571

Father couplings Camlock

with welding end (R)

Inside-Ø acc. to standard or to customer request



007-1265

Pin for positioning

Order code

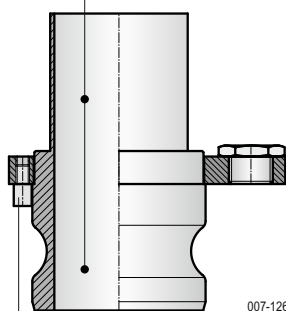
Type	DN	W	Pipe
KF - AVK025 - R-VA			33.7x2.6
KF - AVK032 - R-VA			42.4x2.6
KF - AVK040 - R-VA			48.3x2.6
KF - AVK050 - R-VA			60.3x2.9
KF - AVK065 - R-VA			76.1x2.9
KF - AVK080 - R-VA			88.9x3.2
KF - AVK100 - R-VA			114.3x3.6

DN = Nominal size
W = Material
VA=1.4571

Father couplings Camlock

with pipe-connection / hose nipple / welding end (G)

Inside-Ø acc. to standard or to customer request



007-1265

Pin for positioning

Order code

Type	DN	Pipe W	Pipe
KF-AVK040-G038VA			38x1.5
KF-AVK040-G040VA			40x1.5
KF-AVK050-G050VA			50x1.5
KF-AVK065-G065VA			65x1.5
KF-AVK080-G080VA			80x2.0
KF-AVK100-G100VA			100x2.0

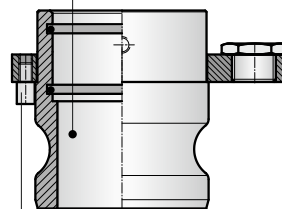
DN = Nominal size
W = Material
VA=1.4571

Father couplings Camlock

with coupling sleeve connection (M)

Use only for suction operation mode
Sealing of pipe with O-ring and fixing with 2 grub screws

Inside-Ø acc. to standard or to customer request



Pin for positioning

Order code

Type	DN	Pipe W	Pipe
KF-AVK040-M038VA			38x1.5
KF-AVK040-M040VA			40x1.5
KF-AVK050-M050VA			50x1.5
KF-AVK065-M065VA			65x1.5
KF-AVK080-M080VA			80x2.0
KF-AVK100-M100VA			100x2.0

DN = Nominal size
W = Material
VA=1.4571

According to Directive 2014/68/EU for pressure equipment:

Usable for hazardous gases and liquids of group 1 up to 10 bar and up to DN 100

For example in pneumatic conveyor systems with combustible dusts etc.

Couplings depending on the model (see offer or order)

Dimensions according to DIN EN 14420-7 (DIN 2828)

Seal rings depending on the order

Single parts

Lever couplings with cam switch

Father couplings Camlock

Device holder

Type	DN
K-MVK-GHA040	
K-MVK-GHA050	
K-MVK-GHA065	
K-MVK-GHA080	
K-MVK-GHA100	

Screw
SK-016X010-VA

0927-05x007-V2A

2 pieces 0914-06x010-V4A

2 pieces 0916-06x008-V4A

007-1265

with inside thread (I)

Type	DN	G	W
K-AVK025-IG1	GHA-VA		
K-AVK032-IG1¼	GHA-VA		
K-AVK040-IG1½	GHA-VA		
K-AVK050-IG2	GHA-VA		
K-AVK065-IG2½	GHA-VA		
K-AVK080-IG3	GHA-VA		
K-AVK100-IG4	GHA-VA		

with welding end (R)

Type	DN	W	Pipe
K-AVK025-R-VA		33.7x2.6	
K-AVK032-R-VA		42.4x2.6	
K-AVK040-R-VA		48.3x2.6	
K-AVK050-R-VA		60.3x2.9	
K-AVK065-R-VA		76.1x2.9	
K-AVK080-R-VA		88.9x3.2	
K-AVK100-R-VA		114.3x3.6	

with pipe-connection (G)

Type	DN	Pipe W	Pipe
K-AVK040-G038VA		38x1.5	
K-AVK040-G040VA		40x1.5	
K-AVK050-G050VA		50x1.5	
K-AVK065-G065VA		65x1.5	
K-AVK080-G080VA		80x2.0	
K-AVK100-G100VA		100x2.0	

with coupling sleeve (M)

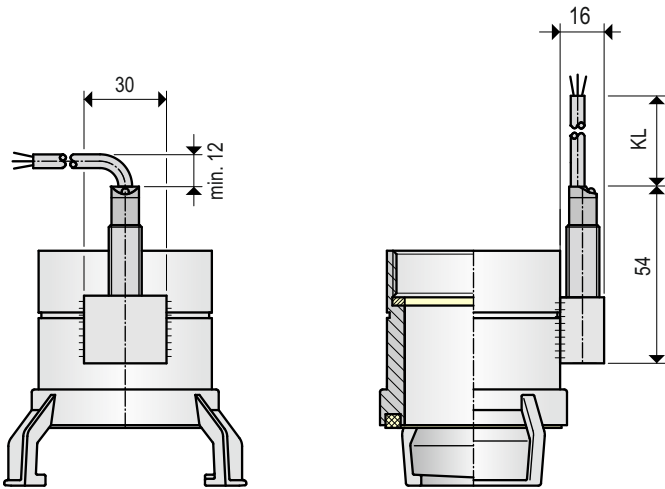
Type	DN	Pipe W	Pipe
K-AVK040-M038VA		38x1.5	
K-AVK040-M040VA		40x1.5	
K-AVK050-M050VA		50x1.5	
K-AVK065-M065VA		65x1.5	
K-AVK080-M080VA		80x2.0	
K-AVK100-M100VA		100x2.0	

According to Directive 2014/68/EU for pressure equipment:
Usable for hazardous gases and liquids of group 1 up to 10 bar and up to DN 100
For example in pneumatic conveyor systems with combustible dusts etc.

Couplings depending on the model (see offer or order)
Dimensions according to DIN EN 14420-7 (DIN 2828)
Seal rings depending on the order

Appliance information

Dimensions



09-403

09-405

Order code

DN	Type	NG	IG	W	KL
DN40	KI - SGF 040	IG1½	VA	2	
DN50	KI - SGF 050	IG2	VA	2	
DN65	KI - SGF 065	IG2½	VA	2	
DN80	KI - SGF 080	IG3	VA	2	
DN100	KI - SGF 100	IG4	VA	2	

NG = Nominal size
IG = Thread
W = Material
KL = Cable length

According to Directive 2014/68/EU for pressure equipment:

Usable for hazardous gases and liquids of group 1 up to 10 bar and up to DN 100

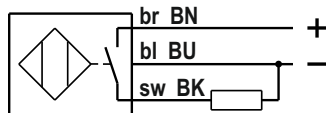
For example in pneumatic conveyor systems with combustible dusts etc.

Result of the evaluation of ignition danger acc. to DIN EN ISO 80079-36:

The couplings (without switches) have no potential source of ignition on their own.

Wiring connection

Cable 3 x 0.34 mm²
Cable length (KL) 2 = 2 m
5 = 5 m
0 = 10 m



TURCK BI3U

007-AP01

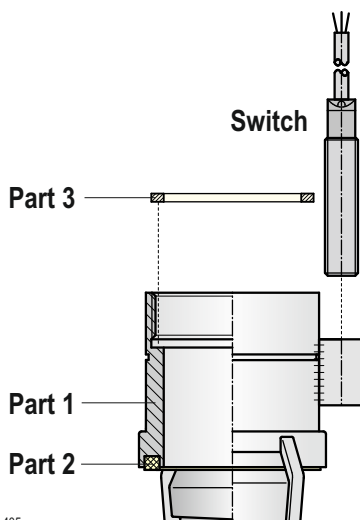
Technical data

Materials	(W) AL = Aluminium VA = 1.4408
Switch	CuZn, chromed / active surface PA12-GF30
Mounting position	any
Ambient temperature	-20 °C ... +60 °C
Nominal voltage	10 ... 30 V DC
Load current capacity	≥ 200 mA, constant current
Switching function	PNP, Normally open
Type of protection	IP68/IP65 acc. to DIN EN 60529
Maintenance	none

ATEX option

B0 **Dust** **Ex** II 3D Ex tc IIIC T110 °C Dc

Components



09-405

Order code	
Switch	
KI - BI3U - M12 AP - 2	
KI - BI3U - M12 AP - 5	
KI - BI3U - M12 AP - 0	

Order code part 1				
DN	Type	NG	IG	W
DN40	K - SGF 040	IG1½	VA	E
DN50	K - SGF 050	IG2	VA	E
DN65	K - SGF 065	IG2½	VA	E
DN80	K - SGF 080	IG3	VA	E
DN100	K - SGF 100	IG4	VA	E

incl. seal ring

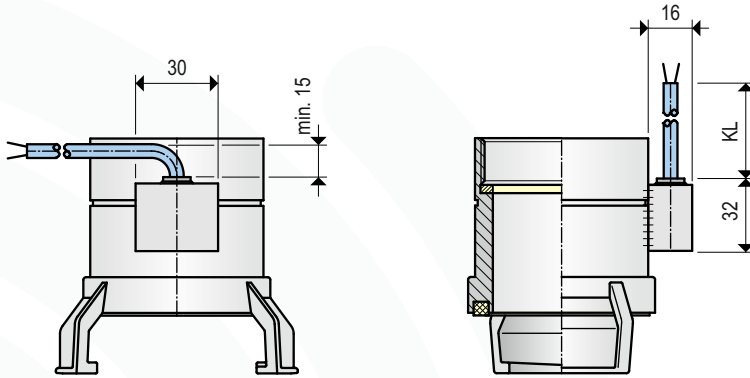
NG = Nominal size
IG = Thread
W = Material

Order code part 2	
DN	Couplings seal ring
DN40	K - SGK 040 DRK-NBRW
DN50	K - SGK 050 DRK-NBRW
DN65	K - SGK 065 DRK-NBRW
DN80	K - SGK 080 DRK-NBRW
DN100	K - SGK 100 DRK-NBRW

Order code part 3	
DN	Threat seal ring
DN40	K - SGK 040 DRG-NBRW
DN50	K - SGK 050 DRG-NBRW
DN65	K - SGK 065 DRG-NBRW
DN80	K - SGK 080 DRG-NBRW
DN100	K - SGK 100 DRG-NBRW

Appliance information

Dimensions



09-403

09-405

NG = Nominal size
IG = Thread
W = Material
KL = Cable length

Order code

DN	Type	NG	IG	W	KL
DN40	KN - SGF 040	IG1½	VA	2	
DN50	KN - SGF 050	IG2	VA	2	
DN65	KN - SGF 065	IG2½	VA	2	
DN80	KN - SGF 080	IG3	VA	2	
DN100	KN - SGF 100	IG4	VA	2	

According to Directive 2014/68/EU for pressure equipment:

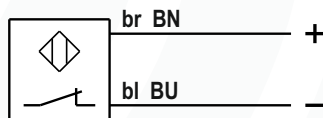
Usable for hazardous gases and liquids of group 1 up to 10 bar and up to DN 100
For example in pneumatic conveyor systems with combustible dusts etc.

Result of the evaluation of ignition danger acc. to DIN EN ISO 80079-36:

The couplings (without switches) have no potential source of ignition on their own.

Wiring connection

Cable 2 x 0,34 mm²
Cable length (KL) 2 = 2 m
5 = 5 m
0 = 10 m



Pepperl+Fuchs NJ4

007-AP03

Technical data

Materials (W) MS = Messing
VA = 1.4408

Switch PBTP (Polybutylenterephthalat)

Mounting position any

Ambient temperature -25 °C ... +60 °C

Nominal voltage 8 V DC (Ri approx. 1 kΩ)

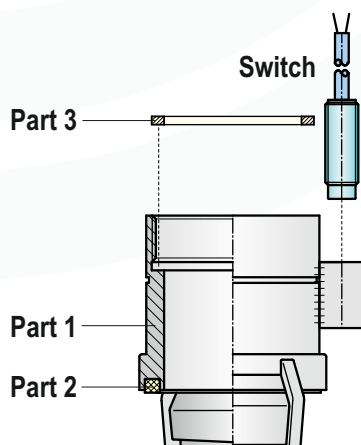
Power consumption activated: ≤ 1 mA
not activated: ≥ 3 mA

Type of protection IP68/IP65 acc. to DIN EN 60529

Maintenance none

ATEX option **Gas and Dust** **Ex** II 2G Ex ia IIC T6...T1 Gb
and II 1D Ex ia IIIC T₂₀₀ 135°C Da

Components



09-405

Order code

Switch
KN - NJ4K - M12 - 2
KN - NJ4K - M12 - 5
KN - NJ4K - M12 - 0

Order code part 1

DN	Type	NG	IG	W
DN40	K - SGF 040	IG1½	VA	E
DN50	K - SGF 050	IG2	VA	E
DN65	K - SGF 065	IG2½	VA	E
DN80	K - SGF 080	IG3	VA	E
DN100	K - SGF 100	IG4	VA	E

incl. seal ring

NG = Nominal size
IG = Thread
W = Material

Order code part 2

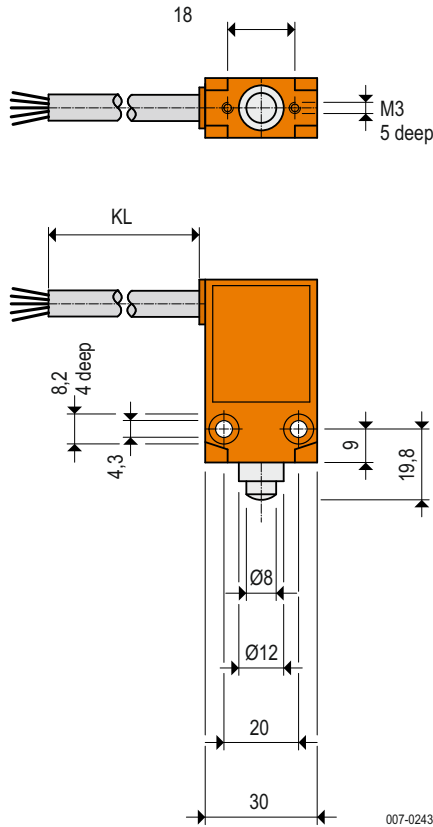
DN	Couplings seal ring
DN40	K - SGK 040 DRK-NBRW
DN50	K - SGK 050 DRK-NBRW
DN65	K - SGK 065 DRK-NBRW
DN80	K - SGK 080 DRK-NBRW
DN100	K - SGK 100 DRK-NBRW

Order code part 3

DN	Threat seal ring
DN40	K - SGK 040 DRG-NBRW
DN50	K - SGK 050 DRG-NBRW
DN65	K - SGK 065 DRG-NBRW
DN80	K - SGK 080 DRG-NBRW
DN100	K - SGK 100 DRG-NBRW

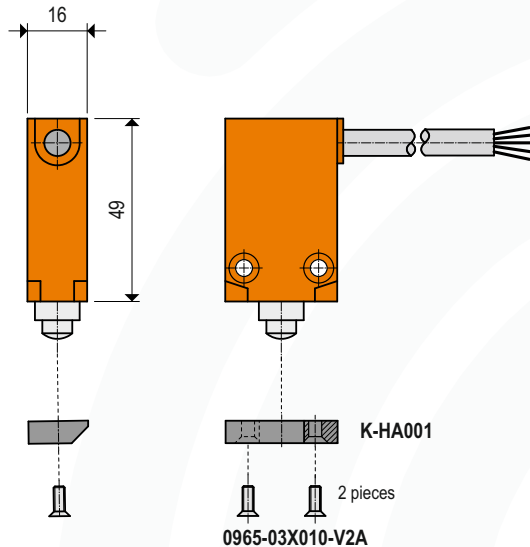
Technical data

Dimensions



without K-H001
order code for Storz couplings

KE-XCM-A110-2 for 2 m cable
KE-XCM-A110-5 for 5 m cable
KE-XCM-A110-0 for 10 m cable

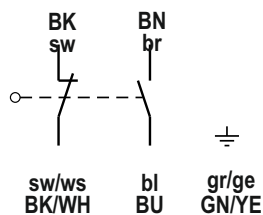


with K-H001
order code for TW couplings

KE-XCM-A110-2TW for 2 m cable
KE-XCM-A110-5TW for 5 m cable
KE-XCM-A110-0TW for 10 m cable

Wiring connection

Cable 5 x 0.75 mm²
Cable length (KL) 2 = 2 m
5 = 5 m
0 = 10 m



007-AP00

Technical data

Materials	Zn-Al alloy
Varnish coating	red
Mounting position	any
Ambient temperature	-25 °C ... +70 °C
Capacity of the contact	1.5 A / 250 V AC
Switching function	1 NC and 1 NO
Type of protection	IP67/IP65 acc. to DIN EN 60529
Maintenance	none

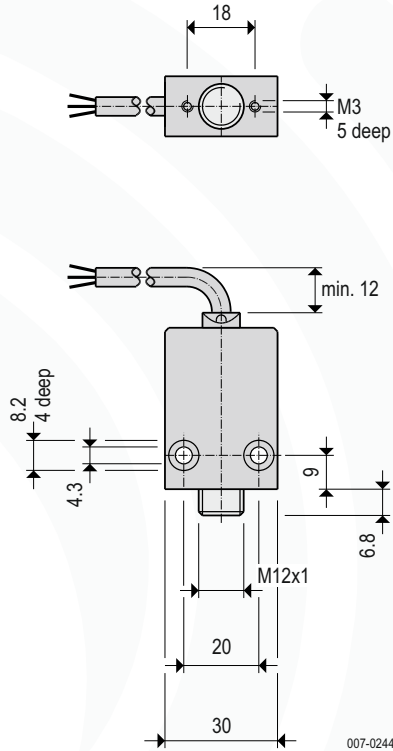
ATEX option

B0 **Dust**  II 3D Ex tc IIIB T80 °C Dc

Technical data

Dimensions

KI-XBK-BI3U-7- .



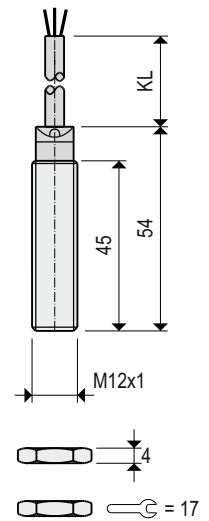
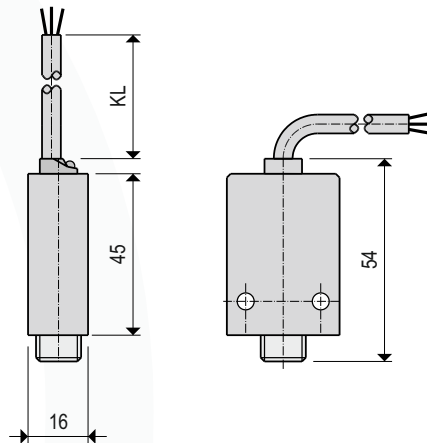
007-0244

Order code

KI-XBK-BI3U-7-2	for 2 m cable
KI-XBK-BI3U-7-5	for 5 m cable
KI-XBK-BI3U-7-0	for 10 m cable

KI-BI3U-M12AP- .

Brand	TURCK
Type	BI3U-M12-AP6X
Ident-no.	16 341 00



007-0245

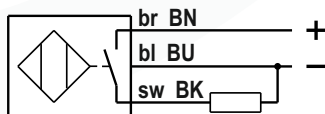
Order code

KI-BI3U-M12AP-2	for 2 m cable
KI-BI3U-M12AP-5	for 5 m cable
KI-BI3U-M12AP-0	for 10 m cable

further technical data you can get under
www.turck.de

Wiring connection

Cable	3 x 0.34 mm ²
Cable length (KL)	2 = 2 m 5 = 5 m 0 = 10 m



TURCK BI3U

007-AP01

Technical data

Materials	switch active surface	CuZn, chromium plated PA12-GF30
	clamp mounting	AlMgSi1
Mounting position		any
Ambient temperature		-20 °C ... +60 °C
Supply voltage		10 ... 30 V DC
Load current capacity		≤ 200 mA, constant current
Switching function		PNP, Normally open
Type of protection		IP68/IP65 acc. to DIN EN 60529
Maintenance		none

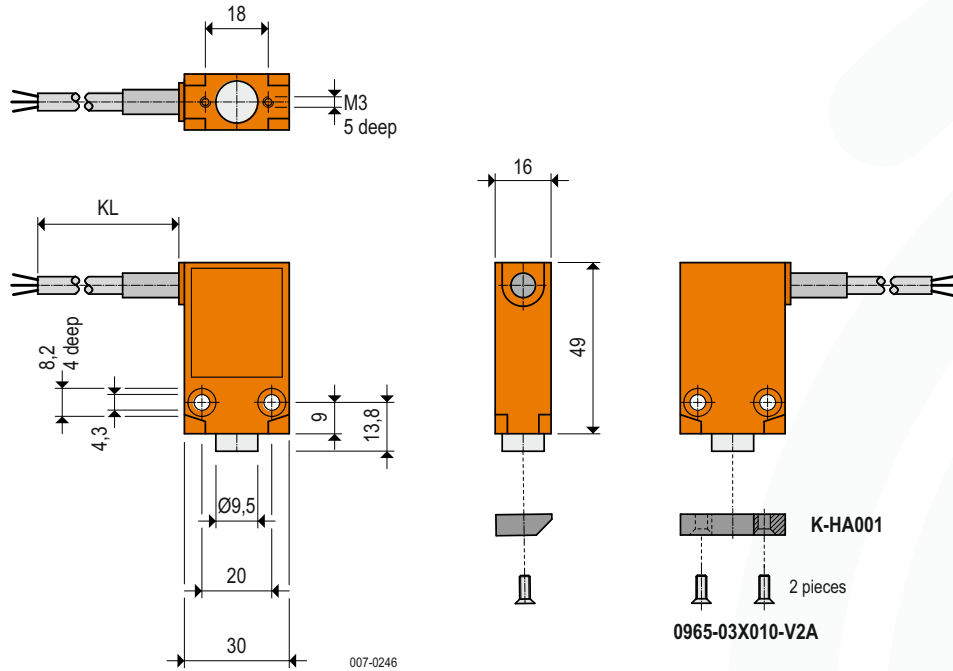
ATEX option

B0 **Dust**  II 3D Ex tc IIIC T110 °C Dc

Technical data

Dimensions

KI-XCM-B356-5- .



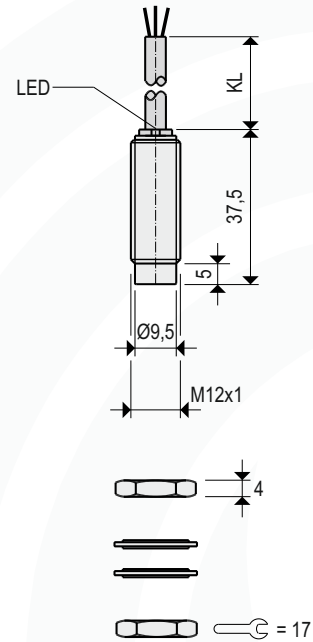
007-0246

Order code

KI-XCM-B356-5-2	for 2 m cable
KI-XCM-B356-5-5	for 5 m cable
KI-XCM-B356-5-0	for 10 m cable

KI-B516-356E4- .

Brand BALLUFF
 Type BES 516-356-E4-...



007-0247

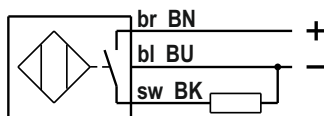
Order code

KI-B516-356E4-2	for 2 m cable
KI-B516-356E4-5	for 5 m cable
KI-B516-356E4-0	for 10 m cable

further technical data you can get under
www.balluff.de

Wiring connection

Cable 3 x 0.34 mm²
 Cable length (KL) 2 = 2 m
 5 = 5 m
 0 = 10 m



BALLUFF 356

007-AP01

Technical data

Materials	switch active surface	CuZn, nickel plated PBT
	Housing	Zn-Al alloy
Varnish coating		red
Mounting position		any
Ambient temperature		-20 °C ... +60 °C
Supply voltage		10 ... 30 V DC
Load current capacity		≤ 200 mA, constant current
Switching function		PNP, Normally open
Type of protection		IP68/IP65 acc. to DIN EN 60529
Maintenance		none

ATEX option

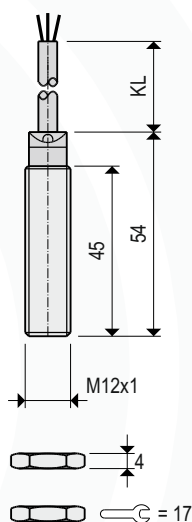
B0 Dust  II 3D Ex tc IIIB T90 °C Dc

Technical data

Dimensions

KI-BI3U-M12AP- .

Brand TURCK
Type Bi3U-M12-AP6X
Ident No. 16 341 00



007-0245

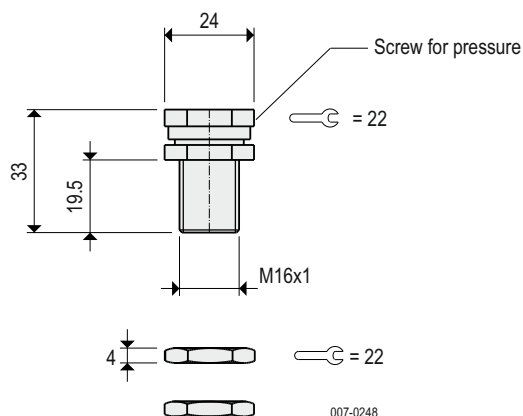
Order code

KI-BI3U-M12AP-2 for 2 m cable
KI-BI3U-M12AP-5 for 5 m cable
KI-BI3U-M12AP-0 for 10 m cable

further technical data you can get under
www.turck.de

Clamp mounting K-KH-12-2S

Brand BALLUFF
Type KH-12-2S



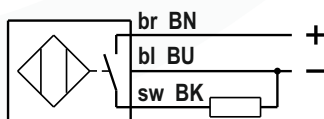
Order code

K-KH-12-2S

further technical data you can get under
www.balluff.de

Wiring connection

Kabel 3 x 0,34 mm²
Kabellänge (KL) 2 = 2 m
5 = 5 m
0 = 10 m



TURCK BI3U

007-AP01

Technical data

Materials housing CuZn, chromium plated
active surface PA12-GF30
clamp mounting AIMGSi1

Mounting position any

Ambient temperature -20 °C ... +60 °C

Supply voltage 10 ... 30 V DC

Load current capacity ≤ 200 mA, constant current

Switching function PNP, Normally open

Type of protection IP68/IP65 acc. to DIN EN 60529

Maintenance none

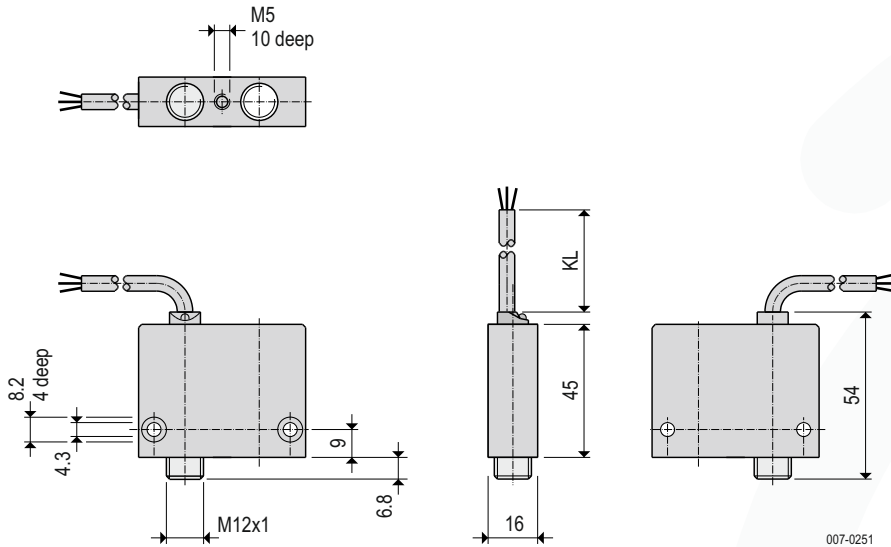
ATEX option

B0 **Dust**  II 3D Ex tc IIIC T110 °C Dc

Technical data

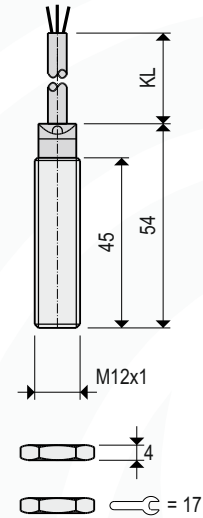
Dimensions

KI1XBK-BI3U-7- .



KI-BI3U-M12AP- .

Brand TURCK
Typw BI3U-M12-AP6X
Ident-no. 16 341 00



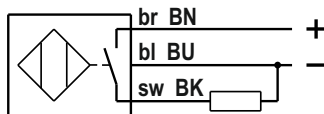
Order code	
KI1XBK-BI3U-7-2	for 2 m cable
KI1XBK-BI3U-7-5	for 5 m cable
KI1XBK-BI3U-7-0	for 10 m cable

Order code	
KI-BI3U-M12AP-2	for 2 m cable
KI-BI3U-M12AP-5	for 5 m cable
KI-BI3U-M12AP-0	for 10 m cable

further technical data you can get under
www.turck.de

Wiring connection

Cable 3 x 0.34 mm²
Cable length (KL) 2 = 2 m
5 = 5 m
0 = 10 m



TURCK BI3U

007-AP01

Technical data

Materials	switch active surface	CuZn, chromium plated PA12-GF30
	clamp mounting	AlMgSi1
Mounting position		any
Ambient temperature		-20 °C ... +60 °C
Supply voltage		10 ... 30 V DC
Load current capacity		≤ 200 mA, constant current
Switching function		PNP, Normally open
Type of protection		IP68/IP65 acc. to DIN EN 60529
Maintenance		none

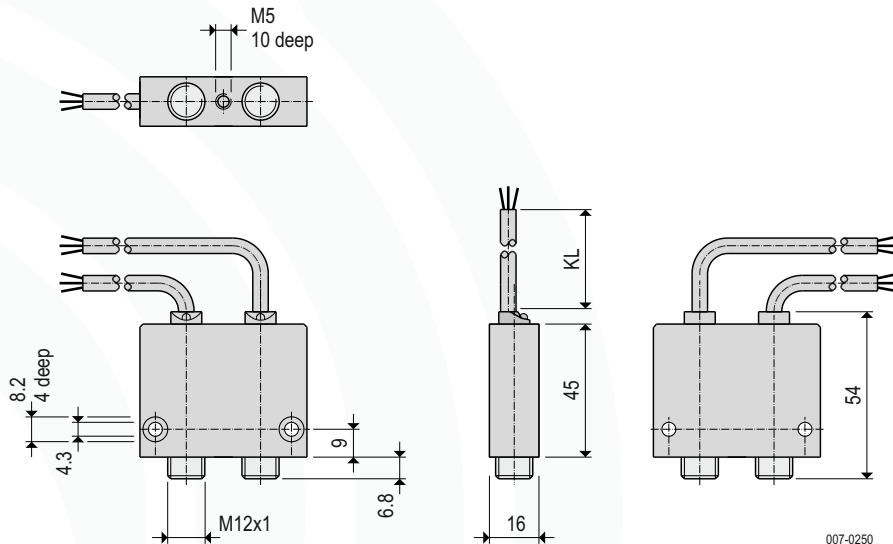
ATEX option

B0 **Dust**  II 3D Ex tc IIIC T110 °C Dc

Technical data

Dimensions

KI2-XBK-BI3U-7- .
KID-XBK-BI3U-7- .



Order code

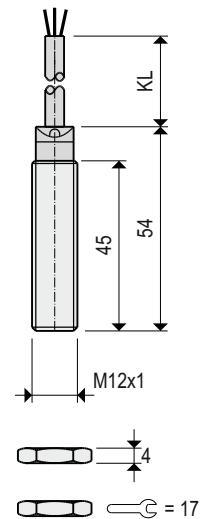
KI2-XBK-BI3U-7-2 for 2 m cable
KI2-XBK-BI3U-7-5 for 5 m cable
KI2-XBK-BI3U-7-0 for 10 m cable

Order code

KID-XBK-BI3U-7-2 for 2 m cable
KID-XBK-BI3U-7-5 for 5 m cable
KID-XBK-BI3U-7-0 for 10 m cable

KI-BI3U-M12AP- .

Brand TURCK
Type BI3U-M12-AP6X
Ident-no. 16 341 00



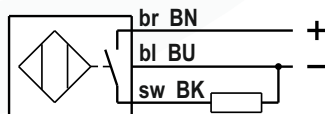
Order code

KI-BI3U-M12AP-2 for 2 m cable
KI-BI3U-M12AP-5 for 5 m cable
KI-BI3U-M12AP-0 for 10 m cable

further **technical data** you can get under
www.turck.de

Wiring connection

Cable 3 x 0.34 mm²
Cable length (KL) 2 = 2 m
5 = 5 m
0 = 10 m



TURCK BI3U

007-AP01

Technical data

Materials switch CuZn, chromium plated
active surface PA12-GF30
clamp mounting AlMgSi1

Mounting position any

Ambient temperature -20 °C ... +60 °C

Supply voltage 10 ... 30 V DC


Load current capacity ≤ 200 mA, constant current

Switching function PNP, Normally open

Type of protection **IP68/IP65** acc. to DIN EN 60529

Maintenance none

ATEX option

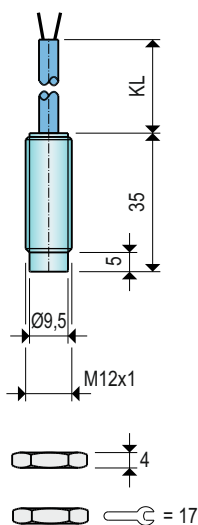
B0 **Dust**  **II 3D Ex tc IIIC T110 °C Dc**

Technical data

Dimensions

KN-NJ4K-M12- .

Brand Pepperl+Fuchs
Type NJ4-12GK-N



007-0253

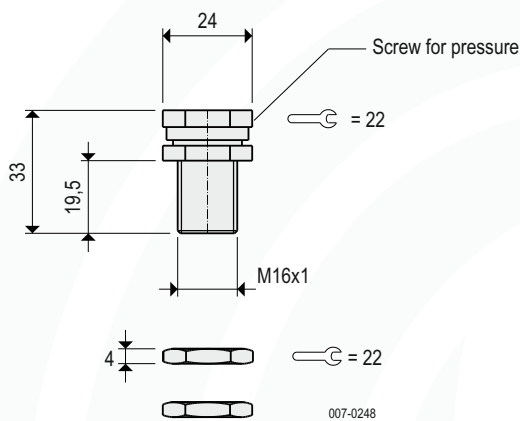
Order code

KN-NJ4K-M12-2 for 2 m cable
KN-NJ4K-M12-5 for 5 m cable
KN-NJ4K-M12-0 for 10 m cable

further technical data you can get under
www.pepperl-fuchs.de

Clamp mounting K-KH-12-2S

Brand BALLUFF
Type KH-12-2S



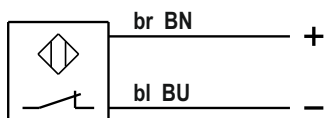
Order code

K-KH-12-2S

further technical data you can get under
www.balluff.de

Wiring connection

Cable 2 x 0.34 mm²
Cable length (KL) 2 = 2 m
5 = 5 m
0 = 10 m



Pepperl+Fuchs NJ2

007-AP03

Technical data

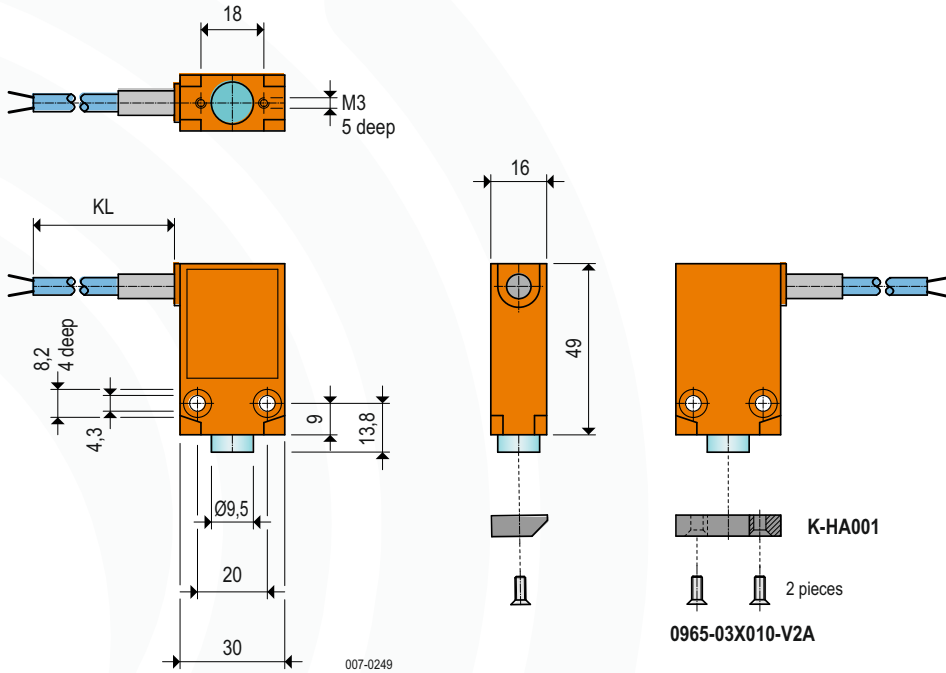
Materials	switch	PBTP (Polybutylenterephthalat)
	clamp mounting	AlMgSi1
Mounting position		any
Ambient temperature		-25 °C ... +60 °C
Nominal voltage		8 V DC (Ri approx. 1 kΩ)
Power consumption		activated: ≤ 1 mA not activated: ≥ 3 mA
Type of protection		IP68/IP65 acc. DIN EN 60529
Maintenance		none

ATEX option **Gas** and **Staub**  II 2G Ex ia IIC T6...T1 Gb
and II 1D Ex ia IIIC T₂₀₀ 135°C Da

Technical data

Dimensions

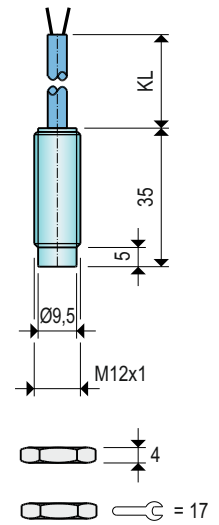
KN-XCM-NJ4K-5- .



Order code	
KN-XCM-NJ4K-5-2	for 2 m cable
KN-XCM-NJ4K-5-5	for 5 m cable
KN-XCM-NJ4K-5-0	for 10 m cable

KN-NJ4K-M12- .

Brand Pepperl+Fuchs
Type NJ4-12GK-N
or NJ4-12GM-N

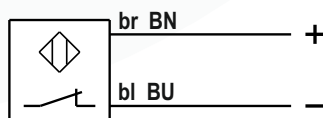


Order code	
KN-NJ4K-M12-2	for 2 m cable
KN-NJ4K-M12-5	for 5 m cable
KN-NJ4K-M12-0	for 10 m cable

further technical data you can get under
www.pepperl-fuchs.de

Wiring connection

Cable 2 x 0.34 mm²
Cable length (KL) 2 = 2 m
5 = 5 m
0 = 10 m



Pepperl+Fuchs NJ4

007-AP03

Technical data

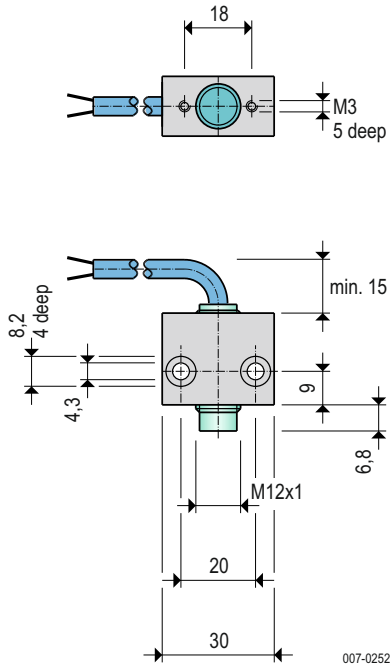
Materials	switch PBTP (Polybutylenterephthalat) housing Zn-Al alloy
Varnish coating	red
Mounting position	any
Ambient temperature	-25 °C ... +60 °C
Nominal voltage	8 V DC (Ri approx. 1 kΩ)
Power consumption	activated: ≤ 1 mA not activated: ≥ 3 mA
Type of protection	IP68/IP65 acc. DIN EN 60529
Maintenance	none

ATEX option Gas and Dust  II 2G Ex ia IIC T6...T1 Gb
and II 1D Ex ia IIIC T₂₀₀ 135°C Da

Technical data

Dimensions

KN-XCK-NJ4K-7- .



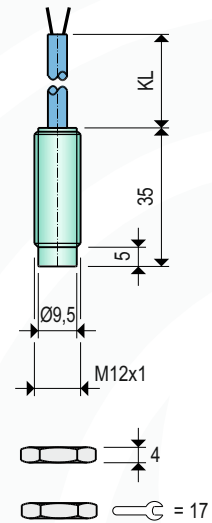
007-0252

Order code

KN-XCK-NJ4K-7-2	for 2 m cable
KN-XCK-NJ4K-7-5	for 5 m cable
KN-XCK-NJ4K-7-0	for 10 m cable

KN-NJ4K-M12- .

Brand Pepperl+Fuchs
Type NJ4-12GK-N
or NJ4-12GM-N



007-0253

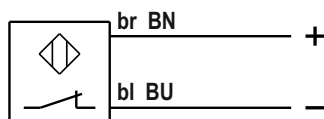
Order code

KN-NJ4K-M12-2	for 2 m cable
KN-NJ4K-M12-5	for 5 m cable
KN-NJ4K-M12-0	for 10 m cable

further technical data you can get under
www.pepperl-fuchs.de

Wiring connection

Cable	2 x 0.34 mm ²
Cable length (KL)	2 = 2 m 5 = 5 m 0 = 10 m



Pepperl+Fuchs NJ4

007-AP03

Technical data

Materials	switch	PBTP (Polybutylenterephthalat)
	clamp mounting	AlMgSi1
Mounting position		any
Ambient temperature		-25 °C ... +60 °C
Nominal voltage		8 V DC (Ri approx. 1 kΩ)
Power consumption		activated: ≤ 1 mA not activated: ≥ 3 mA
Type of protection		IP68/IP65 acc. DIN EN 60529
Maintenance		none

ATEX option Gas and Dust and  II 2G Ex ia IIC T6...T1 Gb
and II 1D Ex ia IIIC T₂₀₀ 135°C Da