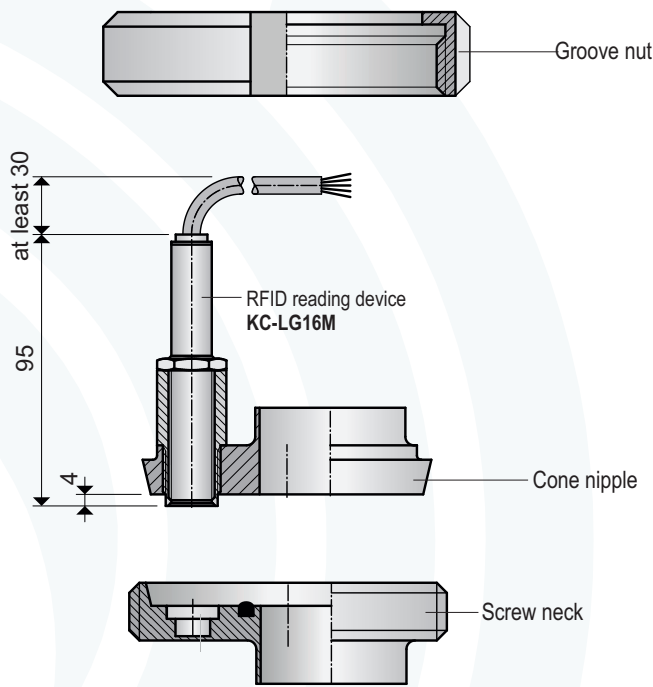


Appliance information

for use at hygienic hose coupling stations

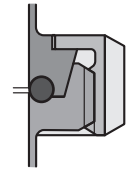
Screwed pipe connections

Cone nipple with reading device, screw neck with transponder



| Type | DN | W |
|--------------|----|---|
| K-RVNM080V4A | | |

Aseptic screwed pipe connections



| Type | DN | W | KL | Pipe |
|---------------------|----|---|----|--------|
| KLG-RVKR050MI-V4A 0 | | | | 53x1.5 |

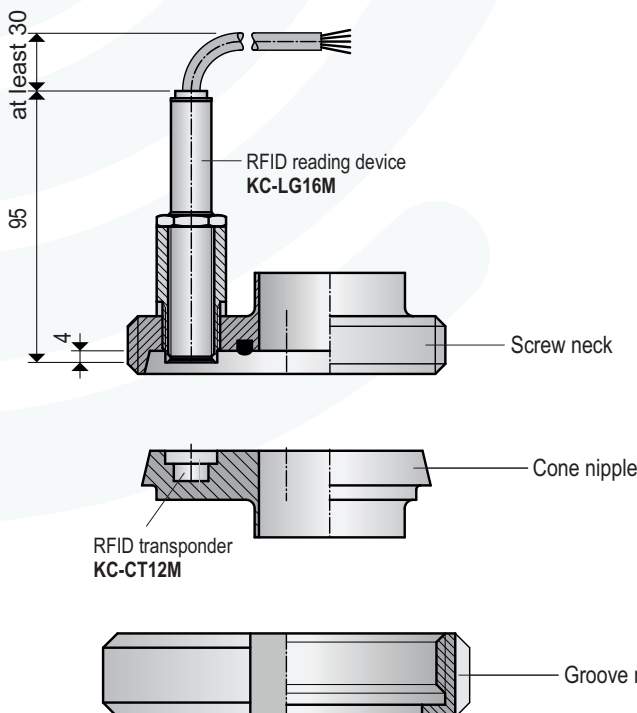
| Type | DN | DR | W | KL | Pipe |
|-----------------------|----|----|---|----|--------|
| KLG-RVKR050ASEP-V4A 0 | | | | | 53x1.5 |

| Type | DN | DR | W | KL | Pipe |
|-----------------------|----|----|---|----|--------|
| KCT-RVGR050MINR-V4A 0 | | | | | 53x1.5 |

| Type | DN | W | KL | Pipe |
|---------------------|----|---|----|--------|
| KCT-RVGR050AS-V4A 0 | | | | 53x1.5 |

Screwed pipe connections

Screw neck with reading device, cone nipple with transponder



| Type | DN | DR | W | KL | Pipe |
|-----------------------|----|----|---|----|--------|
| KLG-RVGR050MINR-V4A 0 | | | | | 53x1.5 |

| Type | DN | W | KL | Pipe |
|---------------------|----|---|----|--------|
| KLG-RVGR050AS-V4A 0 | | | | 53x1.5 |

| Type | DN | W | KL | Pipe |
|---------------------|----|---|----|--------|
| KCT-RVKR050MI-V4A 0 | | | | 53x1.5 |

| Type | DN | DR | W | KL | Pipe |
|-----------------------|----|----|---|----|--------|
| KCT-RVKR050ASEP-V4A 0 | | | | | 53x1.5 |

| Type | DN | W |
|--------------|----|---|
| K-RVNM080V4A | | |

DN = Nominal size
MI = Dairy pipe
AS = Aseptic
DR = Sealing ring material
W = Couplings material
KL = Cable length

Notes

