

Coded hose couplings

Storz and lever arm (Camlock)

KC

Appliance information

Couplings with **RFID**  system

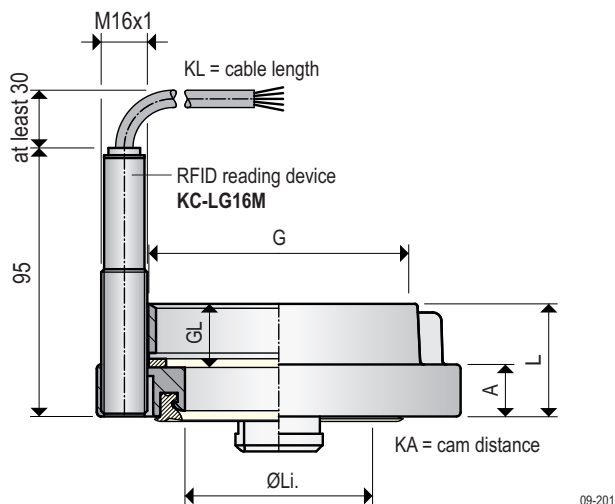
Index	Page
Couplings system „Storz“ with RFID technology	02 - 04
Lever arm couplings (Camlock) with RFID technology	05 - 09

Appliance information

Storz couplings with RFID technology

Storz fixed couplings

with female thread (FSZ...IG) and built-in reading device



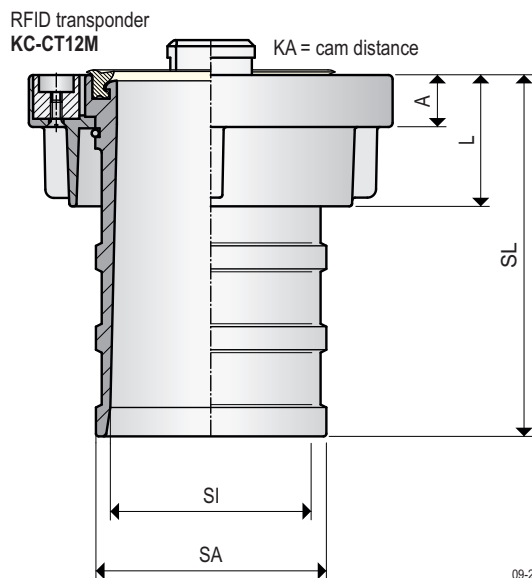
09-201

Order code									
Type	NG	G	W	KL	KA	Li.	L	GL	A
KLG - FSZ052 IG2	AL	0	66	44,5	40	20	17		
KLG - FSZ065 IG2	AL	0	81	45	37	20	17		
KLG - FSZ065 IG2½	AL	0	81	58	52	20	17		
KLG - FSZ075 IG2	AL	0	89	50	38	20	19		
KLG - FSZ075 IG2½	AL	0	89	64,5	42	20	19		
KLG - FSZ075 IG3	AL	0	89	64,5	39	22	19		
KLG - FSZ090 IG3	AL	0	105	78	40	22	19		
KLG - FSZ110 IG4	AL	0	133	100	48	25	22		
KLG - FSZ125 IG5	AL	0	148	115	52	28	24		
KLG - FSZ150 IG6	AL	0	160	130	60	30	33		
KLG - FSZ165 IG6	AL	0	188	150	64	36	29		

Further dimensions and technical data please see **K-TD-01**

Storz hose couplings

with hose nipple (SSZ), turnable cam ring and built in transponder



09-201

Order code										
Type	NG	SA	W	SP	KA	Li.	L	A	SL	SI
KCT - SSZ 052 - 052 AL - SP					66	45	43	17	90	45
KCT - SSZ 065 - 065 AL - SP					81	57	34,5	17	100	58
KCT - SSZ 075 - 075 AL - SP					89	65	45	18	125	65
KCT - SSZ 090 - 090 AL - SP					105	80	45	19	140	80
KCT - SSZ 110 - 100 AL - SP					133	90	48	22	170	90
KCT - SSZ 125 - 125 AL - SP					148	113	52	24	196	113
KCT - SSZ 150 - 150 AL - SP					160	138	56	33	180	138
KCT - SSZ 165 - 150 AL - SP					188	150	64	29	225	150

Further dimensions and technical data please see **K-TD-03** and **04**

Cam ring, hose nipple, screw neck, end cap,
sealing ring and chain

Design, dimensions and materials can be drawn from the
corresponding order.

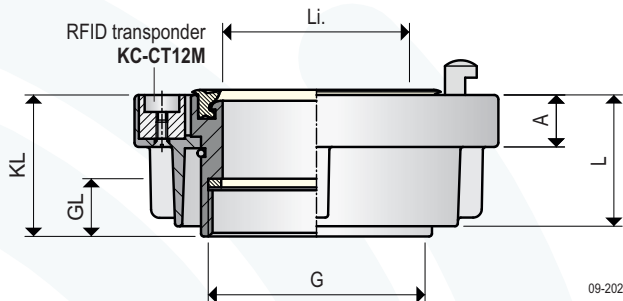
NG = Nominal size
W = Material
SA = Hose nipple outside-Ø
SI = Hose nipple inside-Ø
SL = Hose nipple length
G = Thread
Li. = Clear span
KA = Cam distance
D = Diameter

Appliance information

Storz couplings with RFID technology

Storz loose couplings

with female thread (LSZ...IG), turnable cam ring and built in transponder

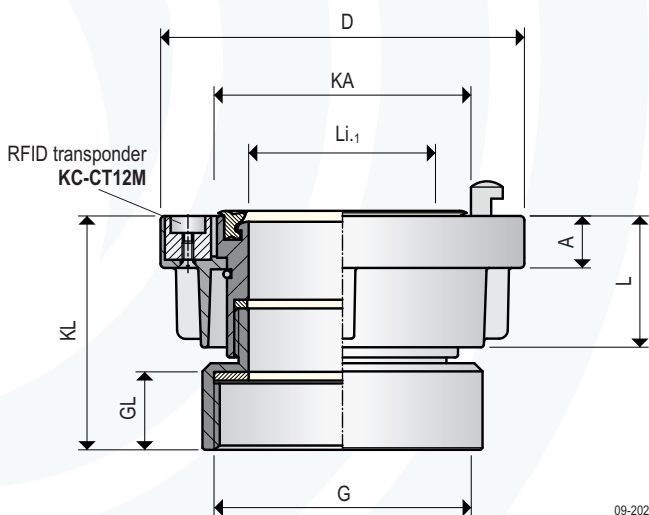


Order code									
Type	NG	G	W	KA	Li	KL	GL	A	L
KCT - LSZ 052 IG2	AL	66	44.5	51.5	20	17	43.5		
KCT - LSZ 075 IG2½	AL	89	62	51	20	18.5	45		
KCT - LSZ 090 IG3	AL	105	77	43	20	20	43		
KCT - LSZ 110 IG4	AL	133	98	60.5	20	23	49		
KCT - LSZ 125 IG4	AL	148	108	53	20	25	53		

Further dimensions and technical data please see **K-TD-05**

Storz loose couplings

with female thread (LSZ...IG), turnable cam ring and built in transponder



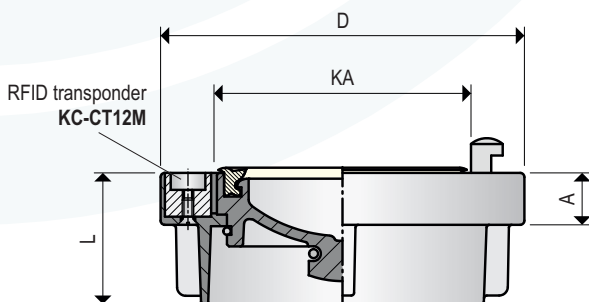
Order code										
Type	NG	G	W	KA	Li,1	KL	GL	A	L	D
KCT - LSZ 065 IG2½	AL	81	54.5	80.5	20	17.5	34.5	118		
KCT - LSZ 075 IG3	AL	89	61	74	20	18.5	45	126		
KCT - LSZ 125 IG5	AL	148	114.5	112	29	25	53	195		

Further dimensions and technical data please see **K-TD-05**

NG = Nominal size
W = Material
G = Thread
GL = Thread length
KL = Coupling length
Li,1 = Clear span
L = Length
KA = Cam distance
D = Diameter

Storz blank cap

blank cap (BSZ), turnable cam ring and built in transponder



Order code						
Type	NG	W	KA	L	D	A
KCT - BSZ 052	AL	66	40	98	17	
KCT - BSZ 065	AL	81	34.5	118	17	
KCT - BSZ 075	AL	89	45	126	18	
KCT - BSZ 090	AL	105	45	144	19	
KCT - BSZ 110	AL	133	48	180	22	
KCT - BSZ 125	AL	148	52	195	24	
KCT - BSZ 150	AL	160	56	220	33	
KCT - BSZ 165	AL	188	64	245	29	

Further dimensions and technical data please see **K-TD-07**

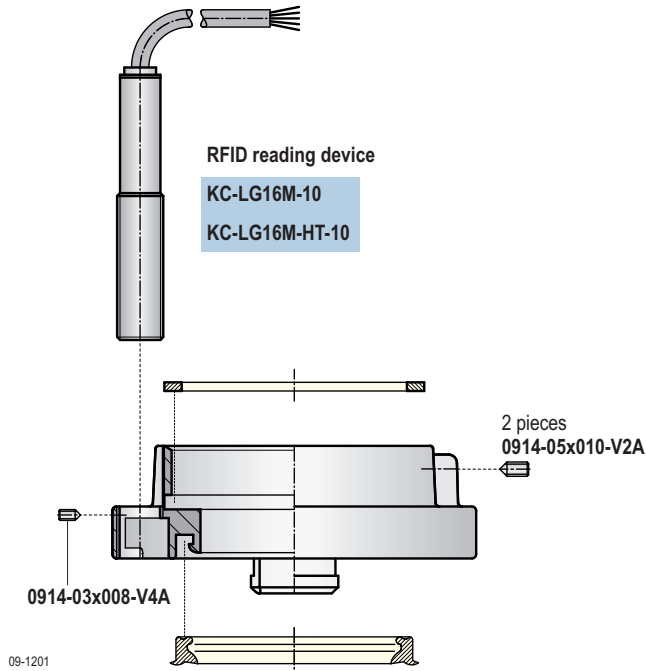
09-201

Single parts

Storz couplings with RFID technology

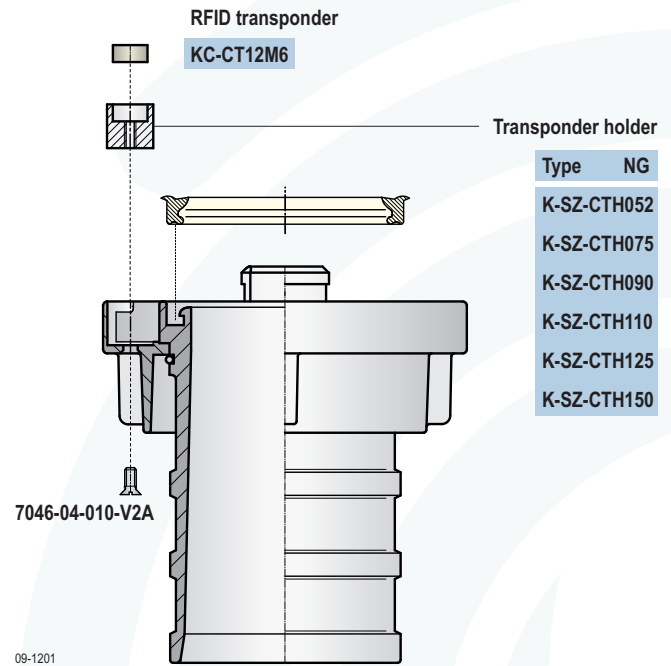
Storz fixed couplings

with female thread (FSZ...IG)



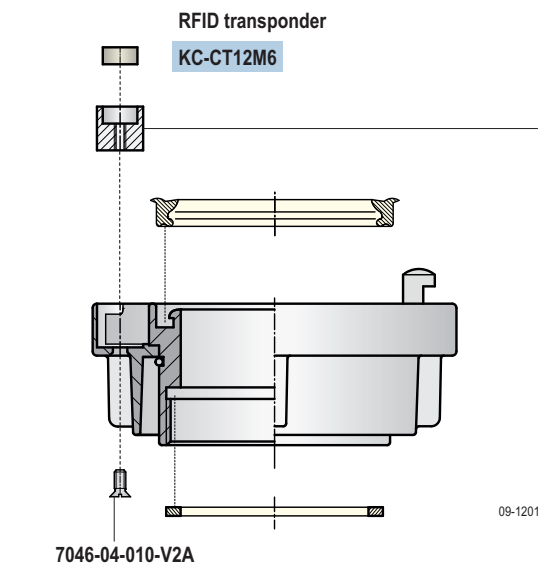
Storz hose couplings

with hose nipple (SSZ), turnable cam ring



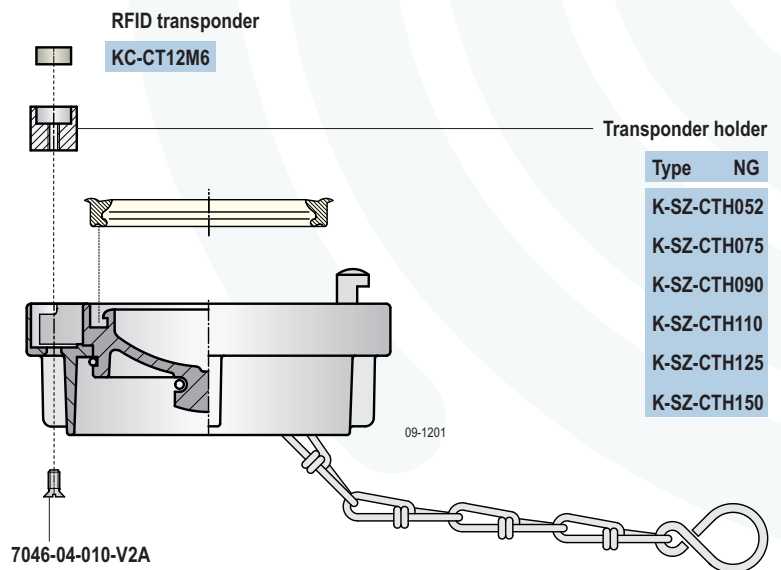
Storz loose couplings

with female thread (LSZ...IG), turnable cam ring



Storz blank cap

blank cap (BSZ), turnable cam ring



Cam ring, hose nipple, screw neck, end cap,
sealing ring and chain

Design, dimensions and materials can be drawn from the
corresponding order.



**Transponder
with holder**

7046-04-010-V2A

Type	NG
KCT-SZ-CTH052	
KCT-SZ-CTH075	
KCT-SZ-CTH090	

Type	NG
KCT-SZ-CTH110	
KCT-SZ-CTH125	
KCT-SZ-CTH150	

Appliance information

Lever arm couplings with RFID technology

Father couplings Camlock with female thread (I)

RFID reading device KC-LG16M

Inside-Ø acc. to standard or to customer request

Pin for positioning

09-603

Order code				
Type	DN	G	W	KL
KLG-AVK025-IG1	VA	0		
KLG-AVK032-IG1¼	VA	0		
KLG-AVK040-IG1½	VA	0		
KLG-AVK050-IG2	VA	0		
KLG-AVK065-IG2½	VA	0		
KLG-AVK080-IG3	VA	0		
KLG-AVK100-IG4	VA	0		

Top view

Reding device holder

09-603

DN = Nominal size
W = Material
KL = Cable length

Father couplings Camlock with welding end (R)

RFID reading device KC-LG16M

Inside-Ø acc. to standard or to customer request

Pin for positioning

09-603

Order code				
Type	DN	W	KL	Pipe
KLG-AVK032-R-VA	0			42.4x2.6
KLG-AVK040-R-VA	0			48.3x2.6
KLG-AVK050-R-VA	0			60.3x2.9
KLG-AVK065-R-VA	0			76.1x2.9
KLG-AVK080-R-VA	0			88.9x3.2
KLG-AVK100-R-VA	0			114.3x3.6

Top view

Reding device holder

09-603

DN = Nominal size
W = Material
KL = Cable length

Father couplings Camlock with pipe connection / hose nipple / welding end (G)

RFID reading device KC-LG16M

Inside-Ø acc. to conveying pipe or to customer request

Pin for positioning

09-603

Order code				
Type	DN	Nipple	W	KL
KLG-AVK040-G038VA	0			38x1.5
KLG-AVK040-G040VA	0			40x1.5
KLG-AVK050-G050VA	0			50x1.5
KLG-AVK065-G065VA	0			65x1.5
KLG-AVK080-G080VA	0			80x2.0
KLG-AVK100-G100VA	0			100x2.0

DN = Nominal size
W = Material
KL = Cable length

Father couplings Camlock with coupling sleeve connection (M)

RFID reading device KC-LG16M

Inside-Ø acc. to conveying pipe or to customer request

Pin for positioning

09-603

Order code				
Type	DN	Nipple	W	KL
KLG-AVK040-M038VA	0			38x1.5
KLG-AVK040-M040VA	0			40x1.5
KLG-AVK050-M050VA	0			50x1.5
KLG-AVK065-M065VA	0			65x1.5
KLG-AVK080-M080VA	0			80x2.0
KLG-AVK100-M100VA	0			100x2.0

DN = Nominal size
W = Material
KL = Cable length

Use only for suction operation mode
Sealing of pipe with O-ring and fixing with 2 grub screws

Single parts

Lever arm couplings with RFID technology

Father couplings Camlock

RFID reading device
KC-LG16M-10
KC-LG16M-HT-10

Locknut
XXXXXXX

Device holder

Type	DN
K-MVK-GHA040	
K-MVK-GHA050	
K-MVK-GHA065	
K-MVK-GHA080	
K-MVK-GHA100	

0927-05x007-V2A

2 pieces 0914-06x010-V4A

with female thread (I)

Type	NG	G	W
K-AVK025-IG1	GHA-VA		
K-AVK032-IG1¼	GHA-VA		
K-AVK040-IG1½	GHA-VA		
K-AVK050-IG2	GHA-VA		
K-AVK065-IG2½	GHA-VA		
K-AVK080-IG3	GHA-VA		
K-AVK100-IG4	GHA-VA		

with welding end (R)

Type	DN	W	Pipe
K-AVK025-R-VA	33.7	2.6	
K-AVK032-R-VA	42.4	2.6	
K-AVK040-R-VA	48.3	2.6	
K-AVK050-R-VA	60.3	2.9	
K-AVK065-R-VA	76.1	2.9	
K-AVK080-R-VA	88.9	3.2	
K-AVK100-R-VA	114.3	3.6	

with pipe connection (G)

Type	DN	Pipe	W	Pipe
K-AVK040-G038VA	38	1.5		
K-AVK040-G040VA	40	1.5		
K-AVK050-G050VA	50	1.5		
K-AVK065-G065VA	65	1.5		
K-AVK080-G080VA	80	2.0		
K-AVK100-G100VA	100	2.0		

2 pieces 0916-06x008-V4A

007-1265

with coupling sleeve (M)

Type	DN	Pipe	W	Pipe
K-AVK040-M038VA	38	1.5		
K-AVK040-M040VA	40	1.5		
K-AVK050-M050VA	50	1.5		
K-AVK065-M065VA	65	1.5		
K-AVK080-M080VA	80	2.0		
K-AVK100-M100VA	100	2.0		

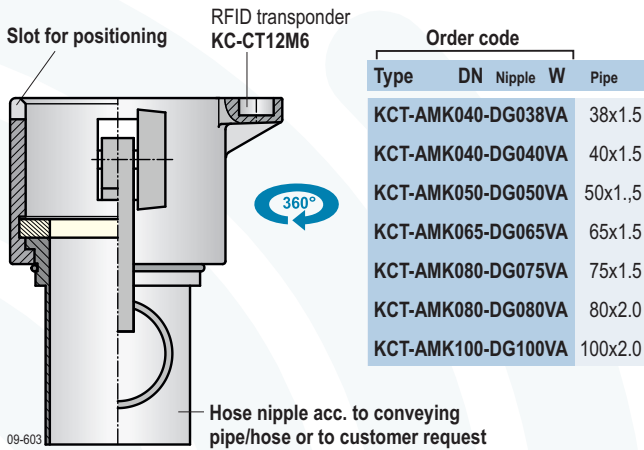
Father couplings and sealing rings

Design, dimensions and materials can be drawn from the corresponding order.

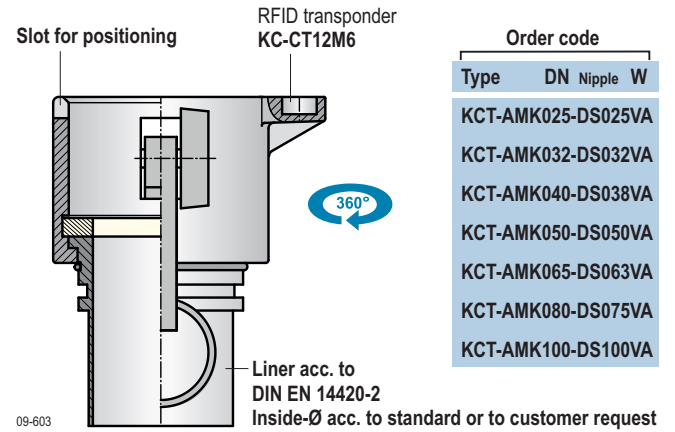
Appliance information

Lever arm couplings with RFID technology

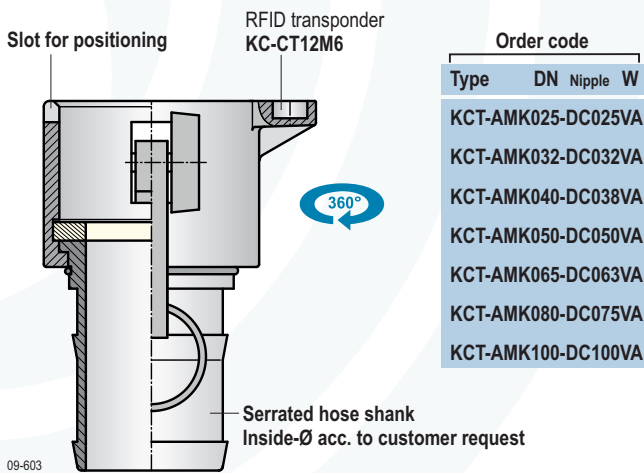
Mother couplings Camlock with hose nipple and turnable lever part (DC)



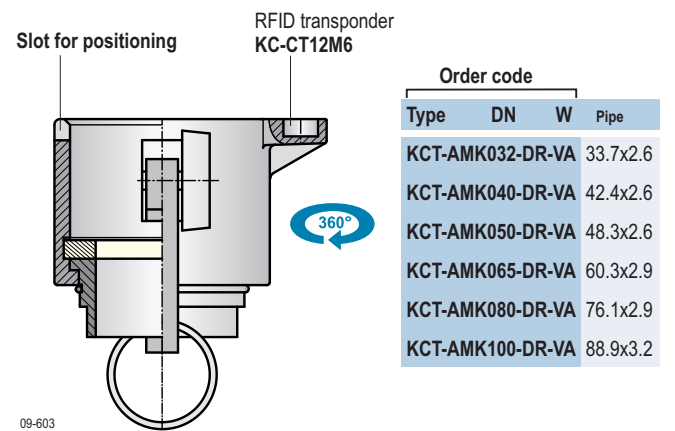
Mother couplings Camlock with liner and turnable lever part (DR)



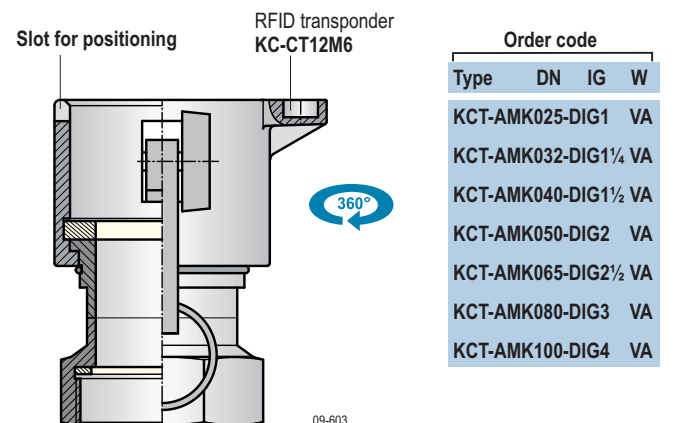
Mother couplings Camlock with serrated hose shank and turnable lever part (DC)



Mother couplings Camlock with welding end and turnable lever part (DR)



Mother couplings Camlock with female thread and turnable lever part (DI)



Single parts

Lever arm couplings with RFID technology

Mother couplings Camlock

RFID transponder

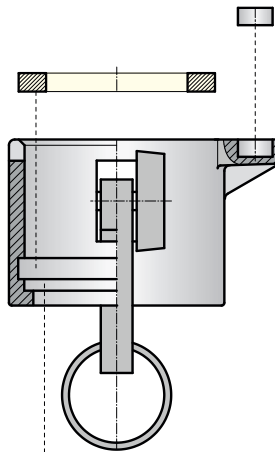
KC-CT12M6

Turnable lever part (D)

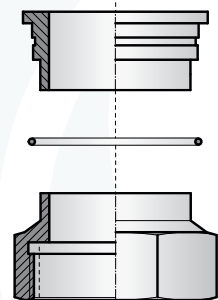
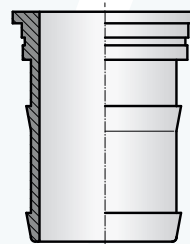
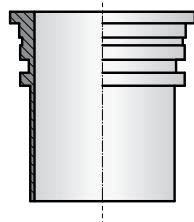
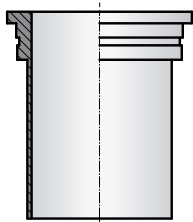
Type	DN	W
K-AMK025-D-CTH-VA		
K-AMK032-D-CTH-VA		
K-AMK040-D-CTH-VA		
K-AMK050-D-CTH-VA		
K-AMK065-D-CTH-VA		
K-AMK080-D-CTH-VA		
K-AMK100-D-CTH-VA		

Welding end (R)

Type	DN	W	Pipe
K-MK025-DR-VA		33.7x2.6	
K-MK032-DR-VA		42.4x2.6	
K-MK040-DR-VA		48.3x2.6	
K-MK050-DR-VA		60.3x2.9	
K-MK065-DR-VA		76.1x2.9	
K-MK080-DR-VA		88.9x3.2	
K-MK100-DR-VA		114.3x3.6	



09-603



Hose nipple (G)

Type	DN	Nipple	W	Pipe
K-MK040-DG038VA			38x1.5	
K-MK040-DG040VA			40x1.5	
K-MK050-DG050VA			50x1.5	
K-MK065-DG065VA			65x1.5	
K-MK080-DG075VA			75x1.5	
K-MK080-DG080VA			80x2.0	
K-MK100-DG100VA			100x2.0	

Liner (S)

Type	DN	Nipple	W
K-MK025-DS025VA			
K-MK032-DS032VA			
K-MK040-DS038VA			
K-MK050-DS050VA			
K-MK065-DS063VA			
K-MK080-DS075VA			
K-MK100-DS100VA			

Serrated hose shank (C)

Type	DN	Nipple	W
K-MK025-DC025VA			
K-MK032-DC032VA			
K-MK040-DC038VA			
K-MK050-DC050VA			
K-MK065-DC063VA			
K-MK080-DC075VA			
K-MK100-DC100VA			

Female thread (I)

Type	DN	G	W
K-MK025-DIG1		VA	
K-MK032-DIG1¼		VA	
K-MK040-DIG1½		VA	
K-MK050-DIG2		VA	
K-MK065-DIG2½		VA	
K-MK080-DIG3		VA	
K-MK100-DIG4		VA	

Lever arms, hose nipples, liners, serrated hose shanks, screw necks and sealing rings

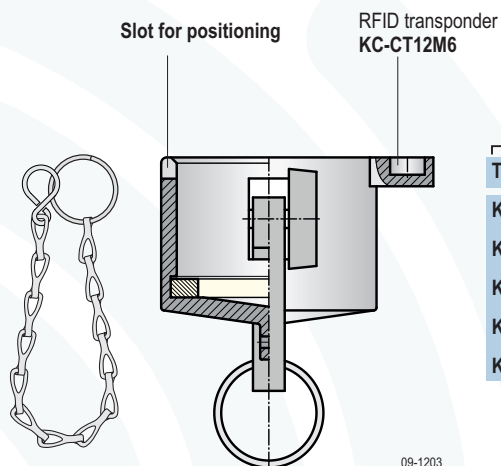
Design, dimensions and materials can be drawn from the corresponding order.

Appliance information

Lever arm couplings with RFID technology

End cap Camlock

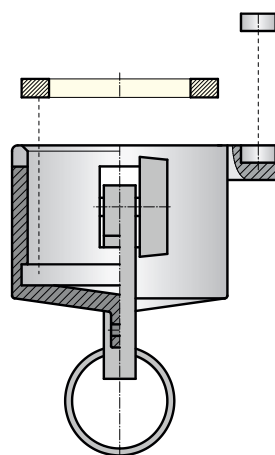
(AMB) with chain and S-hook



Order code	
Type	DN W
KCT-AMB040AL	
KCT-AMB050AL	
KCT-AMB065AL	
KCT-AMB080AL	
KCT-AMB100AL	

End cap Camlock

(AMB) Single parts

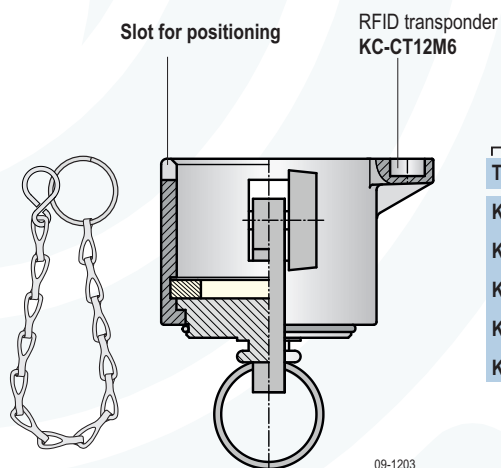


RFID transponder
KC-CT12M6

End cap	
Type	DN W
K-AMB025-CTH-AL	
K-AMB032-CTH-AL	
K-AMB040-CTH-AL	
K-AMB050-CTH-AL	
K-AMB065-CTH-AL	
K-AMB080-CTH-AL	
K-AMB100-CTH-AL	

End cap Camlock

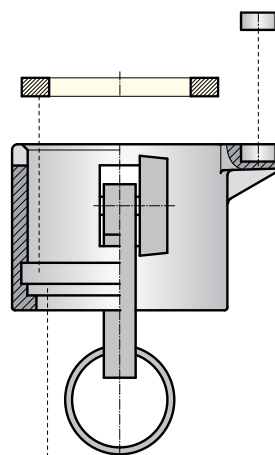
(KMB) with chain and S-hook



Order code	
Type	DN W
KCT-KMB040VA	
KCT-KMB050VA	
KCT-KMB065VA	
KCT-KMB080VA	
KCT-KMB100VA	

End cap Camlock

(KMB) Single parts

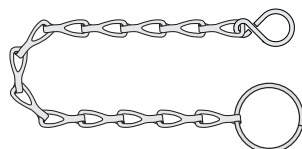


FID transponder
KC-CT12M6

Turnable lever part (D)	
Type	DN W
K-AMK025-D-CTH-VA	
K-AMK032-D-CTH-VA	
K-AMK040-D-CTH-VA	
K-AMK050-D-CTH-VA	
K-AMK065-D-CTH-VA	
K-AMK080-D-CTH-VA	
K-AMK100-D-CTH-VA	

Chain with S-hook and ring

(KSR)



Order code	
Type	Length W
K-KSR 240 VA	
K-KSR 300 VA	

Blind cover (B)	
Type	DN W
K-MB025-DB-VA	
K-MB032-DB-VA	
K-MB040-DB-VA	
K-MB050-DB-VA	
K-MB065-DB-VA	
K-MB080-DB-VA	
K-MB100-DB-VA	

Notes

The page contains a large grid area for taking notes. On the right side of the grid, there is a faint, large watermark of the MOLOS logo, which consists of several concentric, curved lines.