

► Read and follow these safety instructions first and take notice of the operating instructions.

Safety instructions

1. The installation, initial operation and maintenance may be done by a qualified expert with electrical know-how only.
2. Comply with the local and statutory rules and regulations and/or the VDE 0100.
3. Take notice of the temperature specifications at the data plate.
4. A fuse (with max. 6A) has to be connected in series to the voltage supply.
5. Protect the signal contact from voltage peaks when inductive loads are connected.
6. The device may put into operation only if it is closed.
7. Switch off the power supply, before opening the device. (touchdangerous voltage)

Operating instructions

1. Description

1.1 Intended use

As a sturdy limit switch, as counter switch of bags and sacs, as a controller of material flow in discharging pipes at the end of a pneumatical conveyor system. A safety switch in screw conveyors and chain conveyors, control of loading height at conveyor belts etc.

1.2 Function

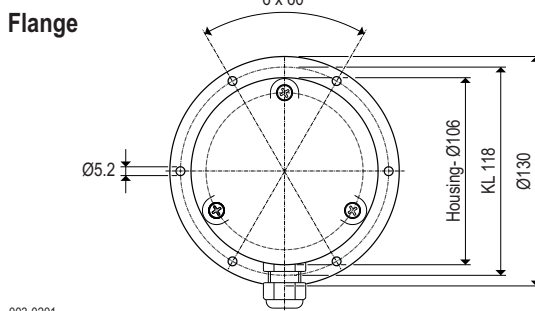
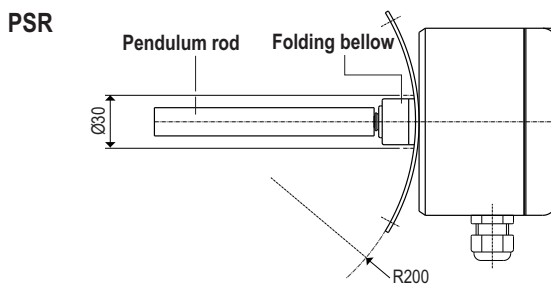
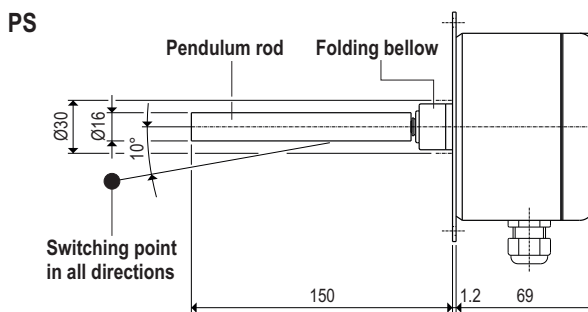
If the rod will be moved out of its normal position in any direction, a switch registers this and gives a signal.

1.3 Technical data

Manufacturer	MOLLET Füllstandtechnik GmbH
Address	Industriepark RIO 103 74706 Osterburken
Name	Pendulum rod switch
Type	PS
Bulk good temperature T_s	-25 °C ... +80 °C
Ambient temperature T_a	-20 °C ... +70 °C
Signal contact	change-over contact, potentialfree
Capacity of the contact	Contact 6 A / 250 V AC
Switching voltage	24 V ... 250 V AC or 12 V ... 125 V DC
Response delay	none
Cable connection	Screw M4
Cable entry	Gland M16x1.5
Type of protection	IP IP66 acc. to DIN EN 60529
Overpressure safety	up to 0.5 bar
Weight	1.0 kg
Maintenance	none
Mounting position	any position

1.4 Material	Housing	GAL, RAL7001 coated
	Flange	Steel, galvanized
	Folding bellow	NBR, black
	Pendulum rod	NBR, black with centre of aluminium

1.5 Dimension



003-0201

2. Installation

2.1 Preparation

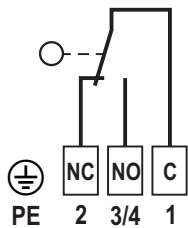
Read and follow the safety instructions and the operating instructions, before handling with the device !

2.2 Mounting in the vessel

Position the pendulum rod switch in the assigned hole and fix it with 6 washers and screws M5.

2.3 Electrical connection

Circuit diagram



2.4 Cable gland

- After electrical connection, tighten the cable gland.
- Screw the cap nut, until the cable entry is closed tightly.

3. Commissioning

- Put the pendulum rod switch into operation only, if the installation and the electrical connection have been done correctly.
- The pendulum rod switch is preset at sensitive.
- With the adjusting nut the device can be adjustable insensitive. Clockwise insensitive.



4. Utilization

4.1 Normal operation

- Use the pendulum rod switch in its intended application only.
- Comply with the specifications on the data plate.
- Damaged devices have to put out of operation immediately.

4.2 Inexpert handling

- Ignoring of the safety instructions and the operating instructions.
- Not intended use.
- Mounting of spare parts which are no original parts.
- Violation against applicable law and standards.

5. Maintenance and servicing

5.1 Maintenance

- The pendulum rod switch needs no maintenance.

5.2 Servicing

- Damaged parts have immediately replaced with similar.
- Until the complete reconstruction of the proper function, the pendulum rod switch must not be used any more.

6. Storage

Store the pendulum rod switch dry and dust free.

7. Disposal

- The pendulum rod switch can be recycled.
- The disposal applies to the valid environmental guidelines according to the location of the carrier and the local manufacturing conditions.

EU-Konformitätserklärung EU-Declaration of Conformity

Wir/We

MOLLET Füllstandtechnik GmbH

Industriepark RIO 103
D-74706 Osterburken
Tel. 06291 64400 Fax 06291 9846

erklären in alleiniger Verantwortung, dass das Produkt:
declares under our sole responsibility, that the product:

Pendel-Füllstand-Grenzscharter / Pendulum limit switch
Pendel-Füllstandanzeiger / Pendulum level indicator

Typ/Type **PS ...**

den folgenden Europäischen Richtlinien entspricht:
conforms with the following European directives:

Niederspannungsrichtlinie Low voltage directive 2014/35/EU

Angewandte harmonisierte Normen oder normative Dokumente:
Applied harmonized standards or normative documents:

DIN EN 61010-1:2020 DIN EN 60529:2014

Qualitätssicherung:
Quality assurance:

TÜV NORD CERT GmbH, 30159 Hannover (0044)

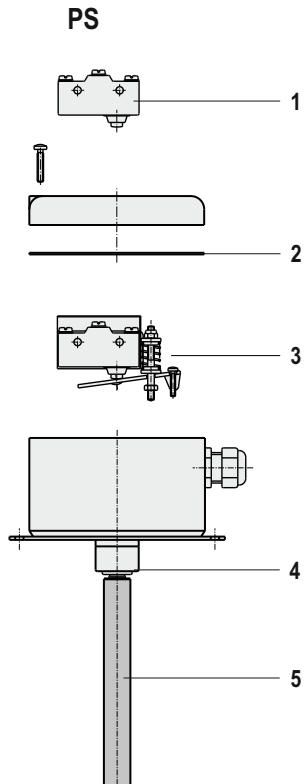
Osterburken, den 03.04.2022



Wolfgang Hageleit
Geschäftsführer / Managing director

Diese Erklärung darf nur unverändert weiterverbreitet werden.
This declaration is only allowed to hand out in unchanged form.

Single parts



Item	Reference	Order code	Material
1	Switch	Z-15GD-B	
2	Cap seal	PF-DS001	EPDM
3	Spare part kit incl. switch	PF-EP001	
4	Folding bellow	PF-FB001	NBR
5	Pendulum rod	PF-ST-NR	NBR with aluminium core

003-0801