



By use in explosive hazardous areas read and follow the

special conditions and instructions for safe application

of the attached

explosive protection information

B1 / B5



first and take notice of the operating instructions.

ATTENTION Tear-off danger! Don't pour on the measuring cone. In case of full indication the filling process has to be stopped immediately.

Operating instructions

1. Description

1.1 Intended use

The level indicator observes the filling level as a limit switch in silos and vessels. It can be used as full and empty indicator for dusty and powdery, granulated and grainy bulk goods with a max. grain size up to 100 mm and with a bulk density of 0.3 t/m³ ... 3.0 t/m³.

1.2 Function

Bulk goods, being dumped besides the pendulum, are moving the pendulum more and more aside, as the filling level increases. A signal switch registers this movement and evaluates it.

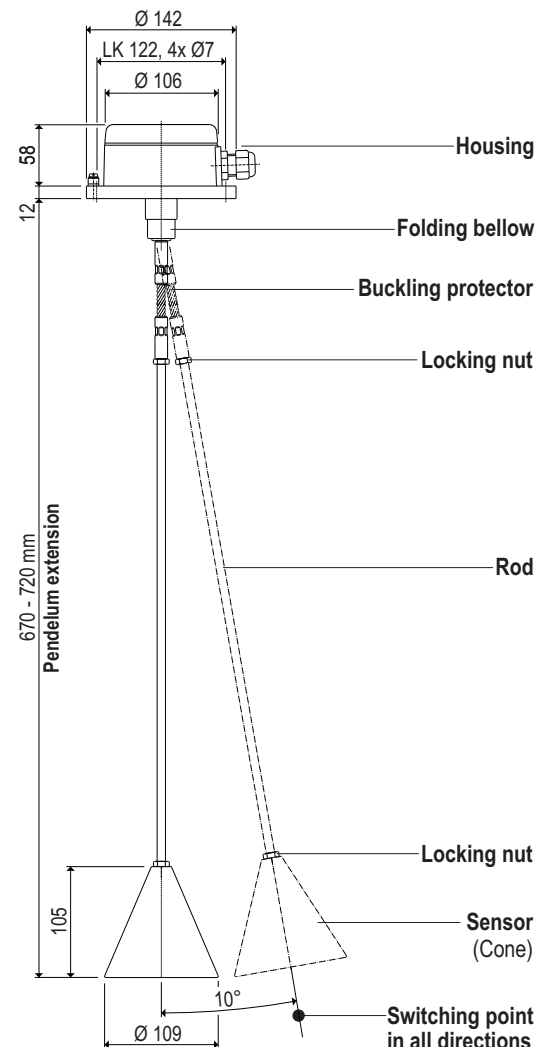
1.3 Technical data

Manufacturer	MOLLET Füllstandtechnik GmbH
Address	Industriepark RIO 103 74706 Osterburken
Name	Pendulum level indicator
Type	PF
Bulk good temperature T_s	-25 °C ... +80 °C
Ambient temperature T_a	-20 °C ... +70 °C
Signal contact	change-over contact, potentialfree
max. switching voltage	see Type plate
max. switching capacity	contact see Type plate
Response delay	none
Cable connection	Screw M4
Cable entry	cable gland M20x1.5
Type of protection	IP IP66 acc. to DIN EN 60529
Overpressure safety	up to 0.5 bar
Weight	1.15 kg
Maintenance	none
Mounting position	vertical, ± 3° inclination

1.4 Materials

Housing	GAL, RAL7001 coated
Folding bellow	NBR, black
Buckling protector	Stainless steel 1.4301 / 304
Rod	Aluminium or 1.4301 / 304
Sensor (Cone)	Aluminium or 1.4301 / 304

1.5 Dimensions

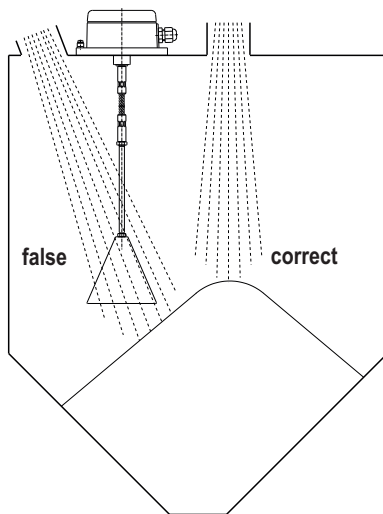


003-0200

2. Installation

2.1 Preparation

- Inspect if the delivery is complete.
The delivery consists of:
 - Housing with buckling protector
 - Rod with 2 locking nuts
 - Sensor (Cone)
- Read and follow the safety instructions and the operating instructions, before handling with the device !
- The pendulum has not to be struck by the filling stream.
- The pendulum must be able to swing unimpeded up to the switching point.



003-0701

2.2 Mounting of sensor (cone) and rod

- Screw the rod with the left and right screwed hexagonal nuts in the measuring cone and counter the nut with no. 13 open jaw wrench.
- Screw now this pendulum in the buckling protector and counter the nut with no. 10 and no. 13 open jaw wrench.
- If the pendulum has to be mounted from the inside of the vessel, than screw at first the housing at the connection flange and mount then the pendulum as described.

2.3 Mounting in the vessel

Position the level indicator with the gasket at the provided flange and fix it with 4 washers and screws M6.

2.4 Electrical connection

Circuit diagram



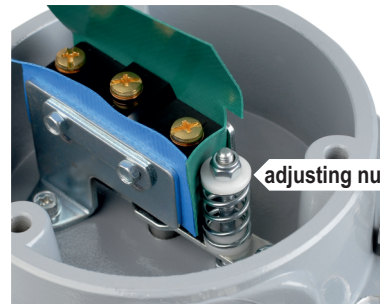
003-AP00

2.5 Cable gland

- After electrical connection, tighten the cable gland.
- Screw the cap nut, until the cable entry is closed tightly.

3. Commissioning

- Put the level indicator into operation only, if the installation and the electrical connection have been done correctly.
- The level indicator is presetted at sensitive.
- With the adjusting nut the device can be adjustable insensitive. Clockwise insensitive.



4. Utilization

4.1 Normal operation

- Use the level indicator in its intended application only.
- Comply with the specifications on the data plate.
- Damaged devices have to put out of operation immediately.

4.2 Inexpert handling

- Ignoring of the safety instructions and the operating instructions.
- Not intended use.
- Mounting of spare parts which are no original parts.
- Violation against applicable law and standards.

5. Maintenance and servicing

5.1 Maintenance

- The level indicator needs no maintenance.

5.2 Servicing

- Damaged parts have immediately replaced with similar.
- Until the complete reconstruction of the proper function, the level indicator must not be used any more.

6. Storage

- Store the level indicator dry and dust-free.
- Dismount the pendulum and store the housing on it's top.

7. Disposal

- The level indicator can be recycled.
- The disposal applies to the valid environmental guidelines according to the location of the carrier and the local manufacturing conditions.

Pendulum level indicator

Level limit switch for bulk goods

PF

Dust



Explosion protection information

and supplement to the operating instructions

Type plate details B1

Dust

Manufacturer and address

CE sign with the number of the "Notified Body" which is involved in the production control phase

Model designation

Vessel pressure
(tested pressure)

MOLLET Füllstandtechnik GmbH		Industriepark RIO 103 D-74706 Osterburken Tel. +49 62 91 64 400	0044	
Typ PF-B1-KFALP1		II 1/2D Ex ta/tb IIC T 80 °C Da/Db	Contact 4 A 240 V~	
Δp -0,08 bar...+0,08 bar		-25 °C ≤ Ta ≤ +80 °C / -20 °C ≤ Ta ≤ +70 °C		
S# 1234567890 A.-Nr. 1234567890	03/21	IBE <u>X</u> U05ATEX1174	IP66	<input type="checkbox"/>

Connection diagram

Details to loadability of the signal contact

Type of protection

Month and year of delivery

Unique serial number

Number which the order was handled

Dust marking

Ambient temperature (Operation temperature)

EU-type examination certificate number

MOLLET

Competence in explosion protection

Marking in accordance with ATEX and DIN EN IEC 60079-0

Pendulum level indicator for use on the boundary from zone 20 to zone 21.

Ex II 1/2 D Ex ta/tb IIIC T80°C Da/Db

Equivalent to valid ATEX-Product-Directive

Equipment group II = everything except mining

Equipment category Category 1 for zone 20, 21 and 22
Category 2 for zone 21 and 22

/ = Level indicators, which are installed on the boundary between different zones

D = Dust - Type of explosive atmosphere

the Ex - symbol according to DIN EN IEC 60079-0

t = Protection by enclosure

a = Device with „very high“ protection standard.for zone 20, 21 and 22

b = Device with „high“ protection standard.for zone 21 and 22

IIIC for flammable conductive dust, flammable non-conductive dust and flammable fibres and flyings

T..°C maximum surface temperature

Equipment Protection Level (EPL)

D = Dust - Type of explosive atmosphere

a = Device with “very high level of protection” for use in potentially explosive atmospheres where in normal operation, foreseeable or infrequent faults/malfunctions no ignition hazard is given.

b = Device with “high level of protection” for use in potentially explosive atmospheres where in normal operation or foreseeable faults/malfunctions no ignition hazard is given.

Order code **B1**

Marking: II 1D / 2D



Equipment category appropriation by zones

Pendulum level indicator for use on the boundary from zone 20 to zone 21.

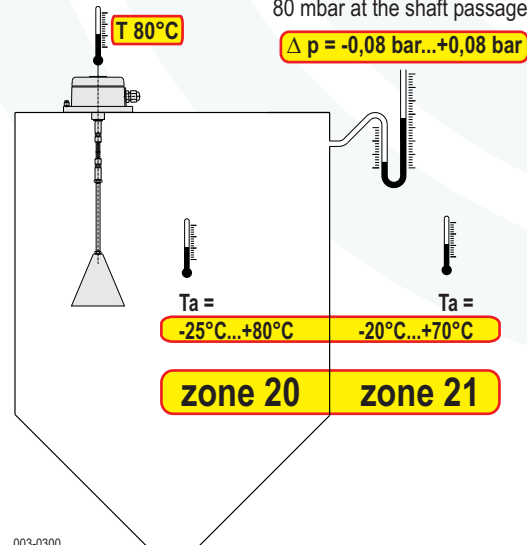
Ambient temperatures Ta

The ambient temperature Ta defines the maximum operating temperature of the indicators. Inside the vessel this is process temperature (the air or the bulk goods temperature) nearby the device.

Maximum surface temperature T

The maximum surface temperature means the hottest point at the equipment.

The device can be installed in the walls of vessels with deviating atmospheric conditions with a difference in pressure up to Δp 80 mbar at the shaft passage.



MOLLET Füllstandtechnik GmbH Industriepark RIO 103 D-74706 Osterburken Tel. +49 62 91 64 400		CE 0044 C	NO NC
Typ PF B1 KFPALP1	Ex II 1/2D Ex ta/tb IIIC T 80 °C Da/Db	Contact 4 A 240 V~	
Δp -0,08 bar...+0,08 bar	-25 °C ≤ Ta ≤ +80 °C / -20 °C ≤ Ta ≤ +70 °C		
S# 1234567890 A.-Nr. 1234567890 03/21	IBExU05ATEX1174	IP66	

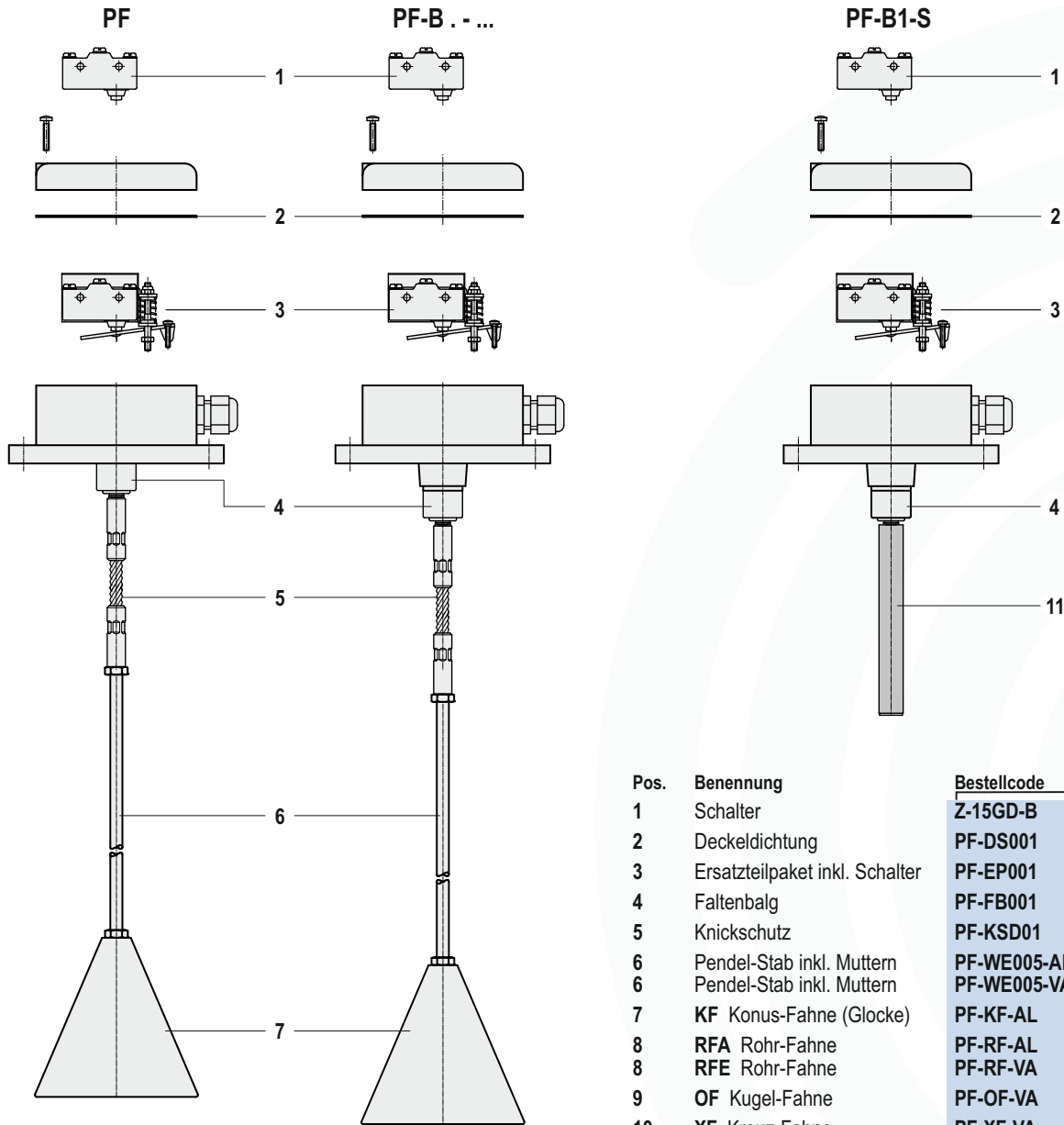


Special conditions and instructions for safe application

1. The installation, maintenance, initial operation, removal and repair have to be controlled resp. checked by an “authorized person” for explosion protection.
2. For the electrical connection you have to take notice of the local and statutory requirements and/or the VDE 0100.
3. Take notice of the specifications on the data plate.
4. A fuse (with max. 4A) has to be connected in series to the voltage supply.
5. Protect the signal contact from voltage peaks when inductive loads are connected.
6. Using the device in ambient temperatures $> +60\text{ °C}$, the applied connection cables have to be made for temperatures of min. $+80\text{ °C}$.
7. As soon as the device will be brought into the explosion hazardous area it has to be mounted immediately at the pre-caused place and a cable has to be brought into the cable gland.
8. The cable gland were screwed and protected at the factory. Please check if the cable gland have loosened during on the mounting or at the transport. When it is loosened, it has to be fitted again.
9. To secure the type of protection, the screw nut of the cable gland has to be fixed at the installation with a torsional force of min. 5.0 Nm.
ATTENTION! If it will be fastened too strong, the IP-protection can be affected.
10. The earth connection of the device has to be installed in such a way that mechanical damage will be excluded.
11. Using the level indicator in the silo wall under deviating atmospheric conditions, the maximum difference in pressure at the shaft passage must not exceed 80 mbar and the working temperature at the shaft passage has not to exceed $+80\text{ °C}$.
12. The device may put into operation with built-in cap-sealing and when it is closed, only.
13. Switch off the power supply, before opening the device. (touchdangerous voltage)
14. Tear-off danger! Don't pour on the measuring cone. In case of full indication the filling process has to be stopped immediately.
15. The cone has to be in stainless steel, in case of existing combustible dusts with a minimum ignition energy less than 3 mJ or with a minimum ignition temperature under $+300\text{ °C}$ (BAM assessment).
16. Take notice of the requirements of DIN EN 60079-14, DIN EN 60079-17 and DIN EN 1127-1, especially regarding the dust deposits and temperatures and follow the pertinent rules and regulations.

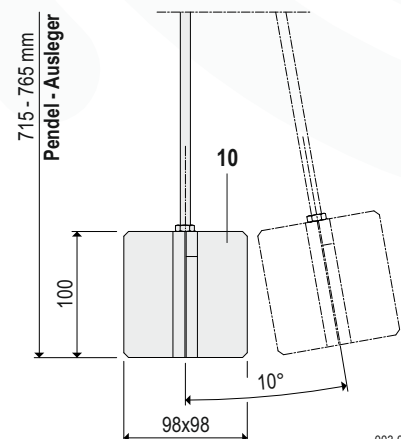
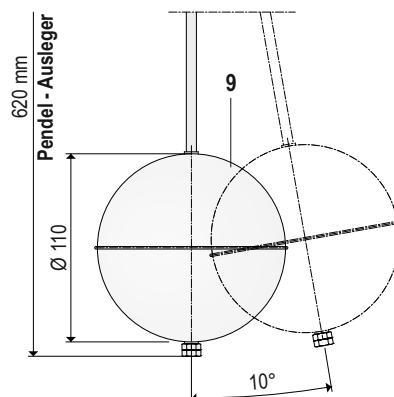
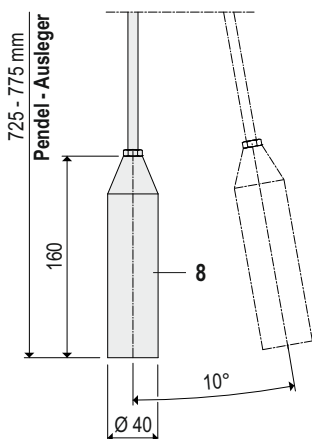
Einzelteile

Pendelstab-Schalter



003-0800

Pos.	Benennung	Bestellcode	Werkstoff
1	Schalter	Z-15GD-B	
2	Deckdichtung	PF-DS001	EPDM
3	Ersatzteilpaket inkl. Schalter	PF-EP001	
4	Faltenbalg	PF-FB001	NBR
5	Knickschutz	PF-KSD01	1.4301 / 304
6	Pendel-Stab inkl. Muttern	PF-WE005-AL	Aluminium
6	Pendel-Stab inkl. Muttern	PF-WE005-VA	1.4301 / 304
7	KF Konus-Fahne (Glocke)	PF-KF-AL	Aluminium
8	RFA Rohr-Fahne	PF-RF-AL	Aluminium
8	RFE Rohr-Fahne	PF-RF-VA	1.4301 / 304
9	OF Kugel-Fahne	PF-OF-VA	1.4301 / 304
10	XF Kreuz-Fahne	PF-XF-VA	1.4301 / 304
11	Pendel-Stab	PF-ST-NR	NBR, mit Alukern



003-0291

EU-Konformitätserklärung EU-Declaration of Conformity

Wir/We

MOLLET Füllstandtechnik GmbH

Industriepark RIO 103
D-74706 Osterburken
Tel. 06291 64400 Fax 06291 9846

erklären in alleiniger Verantwortung, dass das Produkt:
declares under our sole responsibility, that the product:

Pendel-Füllstand-Grenzscharer / Pendulum limit switch
Pendel-Füllstandanzeiger / Pendulum level indicator

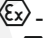
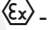
Typ/Type **PF...**

den folgenden Europäischen Richtlinien entspricht:
conforms with the following European directives:

Niederspannungsrichtlinie **Low voltage directive** **2014/35/EU**

Angewandte harmonisierte Normen oder normative Dokumente:
Applied harmonized standards or normative documents:

DIN EN 61010-1:2020 **DIN EN 60529:2014**

Und die Geräte mit  - Kennzeichnung entsprechen zusätzlich der folgenden Europäischen Richtlinie:
And the devices with  - marking conform additional with the following European directive:

ATEX-Richtlinie **ATEX directive** **2014/34/EU**

Je nach Ausführungsvariante angewandte harmonisierte Normen oder normative Dokumente:
Depending on the design applied harmonized standards or normative documents:

DIN EN IEC 60079-0:2019 **DIN EN 60079-11:2012** **DIN EN 60079-31:2014**

EU-Baumusterprüfbescheinigungsnummer:
EU-Type Examination Certificate:

IBExU05ATEX1174

Ausgestellt von:.
Issued by:

IBExU Institut für Sicherheitstechnik GmbH, 09599 Freiberg (0637)

Qualitätssicherung:
Quality assurance:

TÜV NORD CERT GmbH, 30159 Hannover (0044)

Osterburken, den 03.03.2020



Wolfgang Hageleit
Geschäftsführer / Managing director

Diese Erklärung darf nur unverändert weiterverbreitet werden.
This declaration is only allowed to hand out in unchanged form.