

Operating instruction

RS485-PROFINET IO protocol converter (Anybus AB7013)
KC-AB-RS485-PN

Accessories Checklist

The following items are attached to the shipment:

- Network connector for power supply
- RS485 connection plug D-Sub, 9-pin with 120 Ω resistance
- USB-stick with GSD file and a RFID-S7 project as example

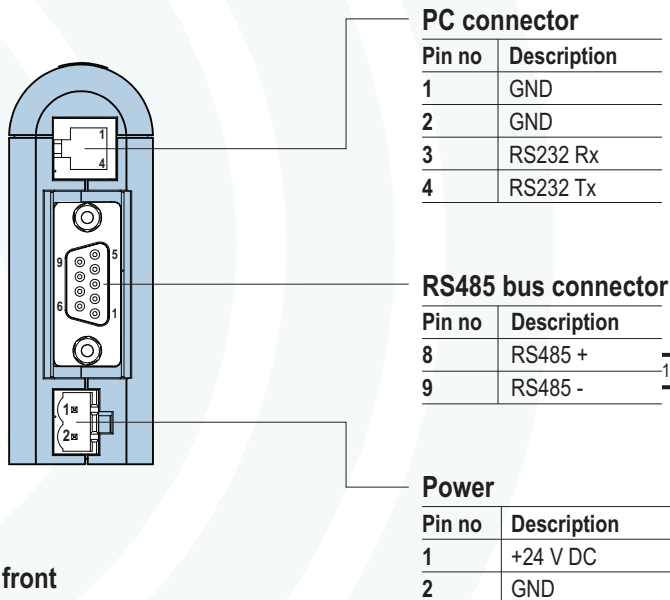
The following items are to be provided by the customer for installation:

- PROFINET network cable and connector
- 24 V DC power supply

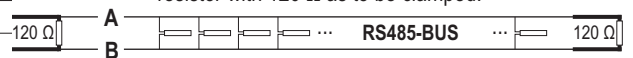
Installation and startup

- Mount the protocol converter on the DIN-rail
- Connect the protocol converter to the PROFINET IO network
- Connect the protocol converter to the RS485 bus
- Switch on the protocol converter (+24 V DC)
- Configure and start the PROFINET IO network
- **The protocol converter is supplied preset by MOLLET.**

Bottom view

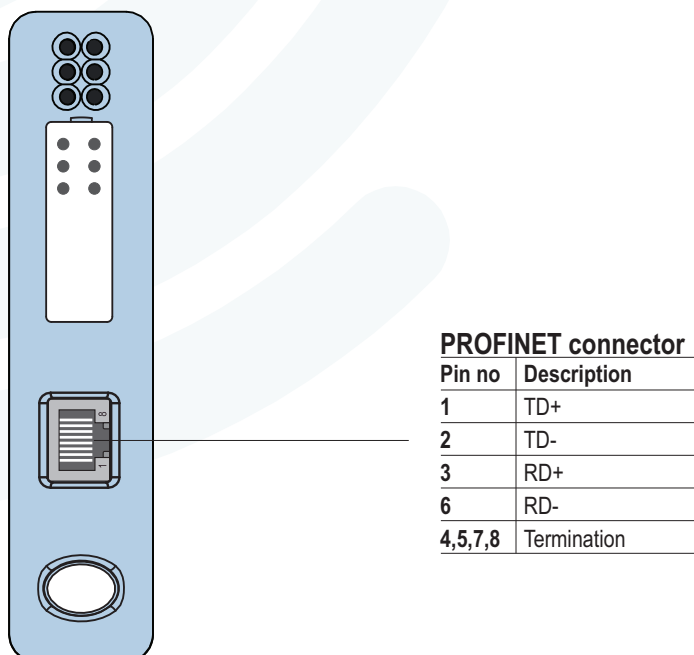


At the beginning (in the connection plug D-Sub) and at the end of the RS485 bus line the attached resistor with 120 Ω as to be clamped.

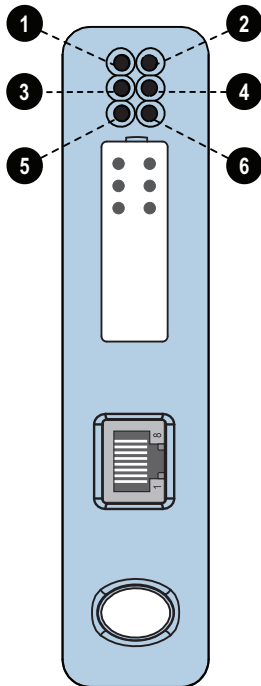


When the converter is **disconnected from the power supply** a resistance of approx. 60 Ω can be measured between **A** and **B** after successful installation.

Module front



LED indicators at module front



LED indicators

LED no	Indication	Description
1 Communication status	off	not online
	green	online, connection with IO established, IO controller in run state
	green, flashing	online, connection with IO established, IO controller in stop state
2 Module status	off	no power, not initialized
	green	initialized, no errors
	green, flashing 1Hz	diagnostic not available
	green, flashing 2Hz	used by engineering tool to identify the module
	red, flashing 1Hz	configuration error
	red, flashing 3Hz	no station name or no IP address assigned
	red, flashing 4Hz	internal error
3 Link active	off	no link
	green	connected to an Ethernet network
	green, flashing	packets are received or transmitted
4 not used	---	---
5 Subnet status	green, flashing	running, but one or more transaction errors
	green	running
	red	transaction error/timeout or subnet stopped
6 Device status	off	power off
	red-green, alternating	invalid or missing configuration
	green	initializing
	green, flashing	running
	red	bootloader mode
	red, flashing	note the flash sequence pattern and contact MOLLET