

# Operating instruction

RS485-PROFIBUS DP protocol converter (Anybus AB7000)  
**KC-AB-RS485-DP**

## Accessories Checklist

The following items are attached to the shipment:

- Network connector for power supply
- RS485 connection plug D-Sub, 9-pin with 120 Ω resistance
- USB-stick with GSD file and a RFID-S7 project as example

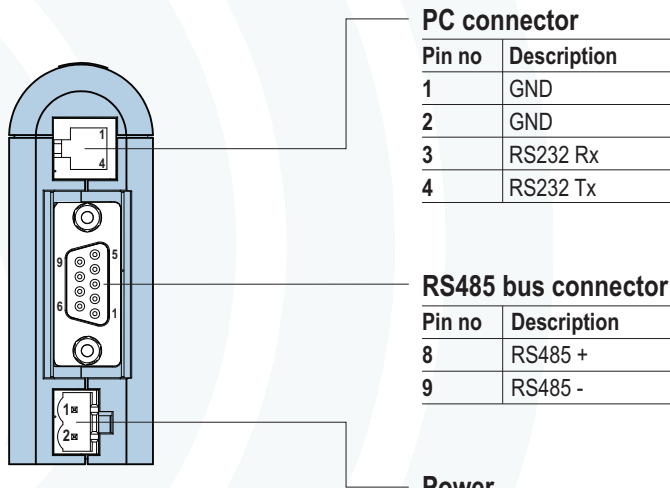
The following items are to be provided by the customer for installation:

- PROFIBUS connection plug D-Sub, 9-pin and the network cables
- 24 V DC power supply

## Installation and startup

- Mount the protocol converter on the DIN-rail
- Connect the protocol converter to the PROFIBUS network
- Adjust the PROFIBUS address at the switches **A** and **B**
- Connect the protocol converter to the RS485 bus
- Switch on the protocol converter (+24 V DC)
- Configure and start the PROFIBUS network
- **The protocol converter is supplied preset by MOLLET.**

## Bottom view



### PC connector

Pin no	Description
1	GND
2	GND
3	RS232 Rx
4	RS232 Tx

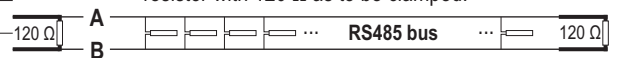
### RS485 bus connector

Pin no	Description
8	RS485 +
9	RS485 -

### Power

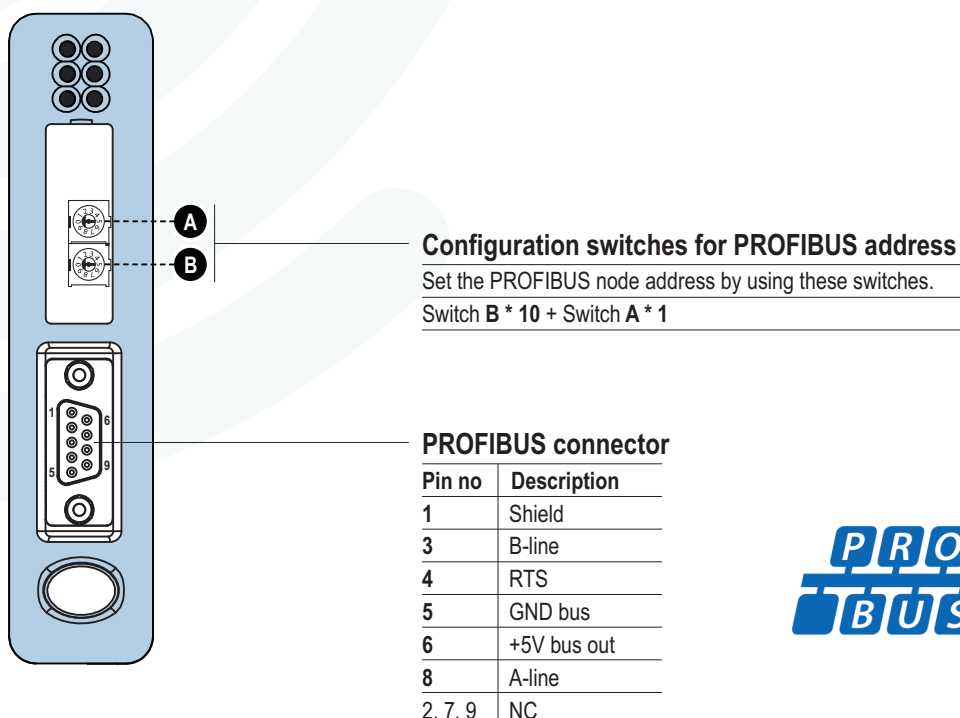
Pin no	Description
1	+24 V DC
2	GND

At the beginning (in the connection plug D-Sub) and at the end of the RS485 bus line the attached resistor with 120 Ω as to be clamped.



When the converter is **disconnected from the power supply** a resistance of approx. 60 Ω can be measured between **A** and **B** after successful installation.

## Module front



### Configuration switches for PROFIBUS address

Set the PROFIBUS node address by using these switches.

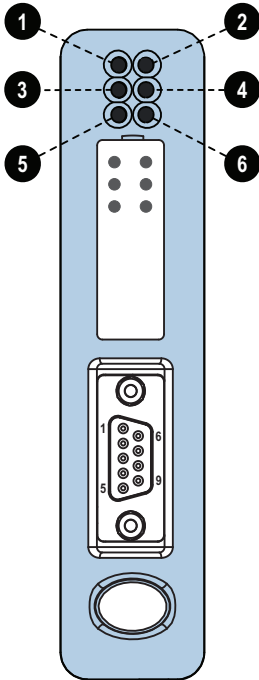
Switch **B** \* 10 + Switch **A** \* 1

### PROFIBUS connector

Pin no	Description
1	Shield
3	B-line
4	RTS
5	GND bus
6	+5V bus out
8	A-line
2, 7, 9	NC



LED indicators at module front



**LED indicators**

LED no	Indication	Description
1 online	green	online
	off	not online
2 offline	red	offline
	off	not offline
3 not used	---	—
4 PROFIBUS diagnostics	off	no diagnostics present
	red, flashing 1Hz	configuration error
	red, flashing 2Hz	user parameter data error
	red, flashing 4Hz	initialisation error
5 RS485 net status	off	power off
	flashing green	running, but one or more transaction errors
	green	running
	red	transaction error / RS485 stopped
6 device status	off	power off
	alternating red/green	invalid or missing configuration
	green	initializing
	flashing green	running
	red	bootloader mode
	flashing red	note the flash sequence pattern and contact MOLLET