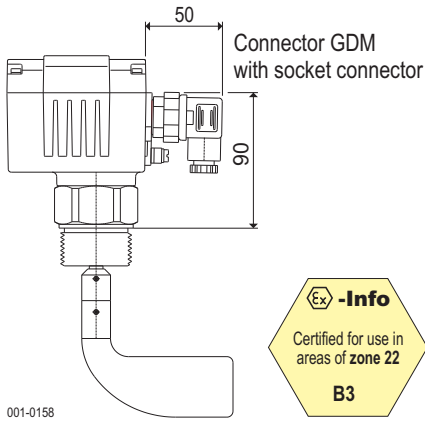
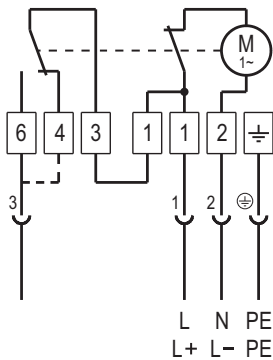


**Electrical connection with plug**

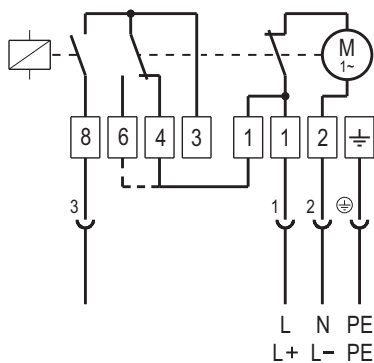
DF-ST3 connector 3-pin + PE



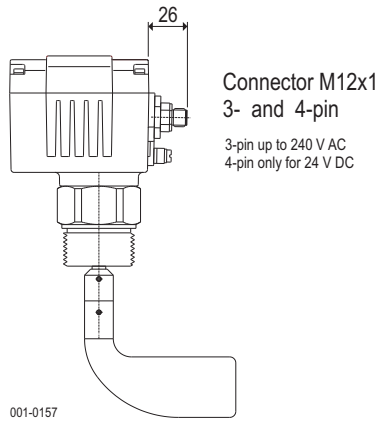
Circuit diagram for connector 3-pin + PE



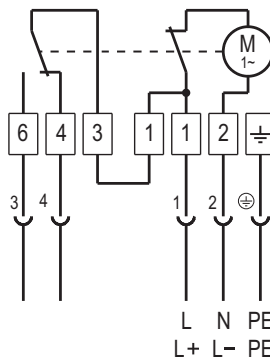
Circuit diagram for connector 3-pin + PE with monitoring D1, D2



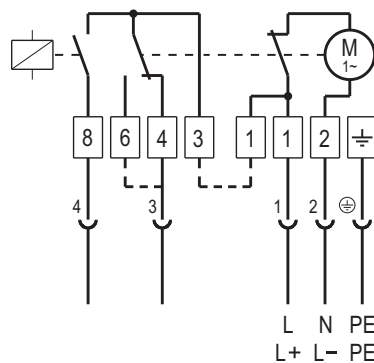
DF-ST1 connector 3-pin + PE  
DF-ST2 connector 4-pin + PE



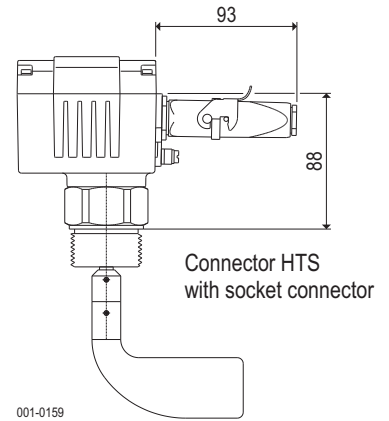
Circuit diagram for connector 4-pin + PE



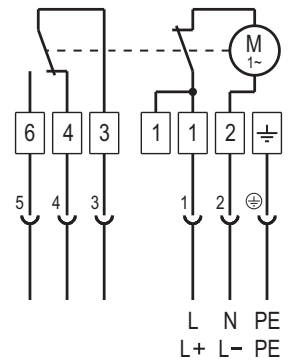
Circuit diagram for connector 4-pin + PE with monitoring D1, D2



DF-ST5 connector 5-pin + PE



Circuit diagram for connector 5-pin + PE



Circuit diagram for connector 5-pin + PE with monitoring D1, D2

