

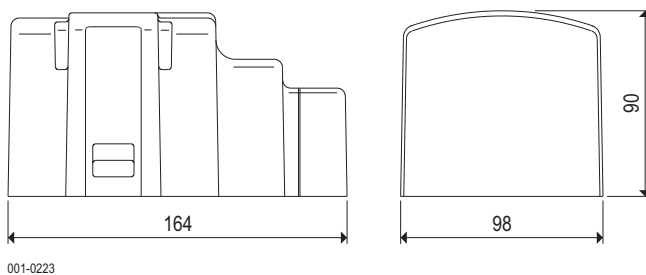
## Weather protection hood DF-SH

Weather protection hood for outdoor use.  
Protection against control head overheating and prevents the inside of the housing from development of condensation.

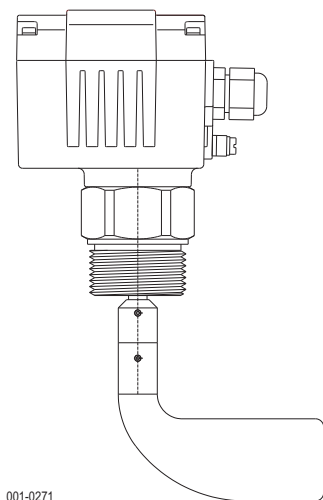
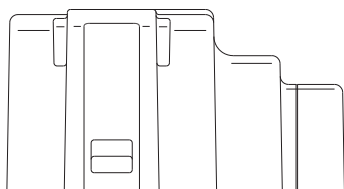
**Materials** Hood PVC, RAL 7001  
Storm tape EDPM, weather-resisting

**Mounting position** any position

## Dimensions

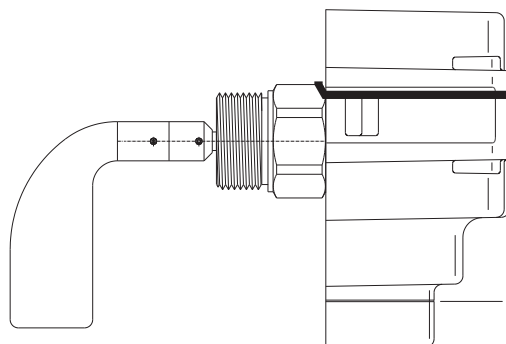
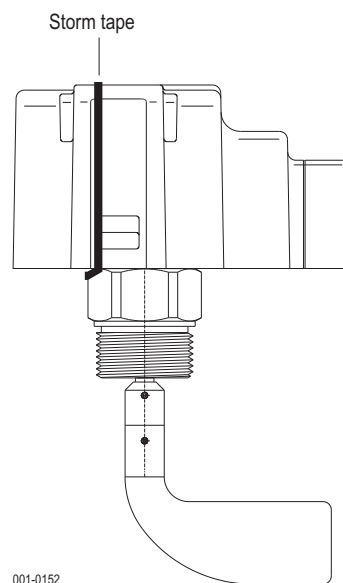


## Installation



After the electrical connection push on the weather protection hood and press it down until the laterally knobs snap in.

After that slip over and position the storm tape as shown.



As occasion demands and depending on the wiring, cut off along the nick.

001-0270