

**Level adjustment DF-HVP8**

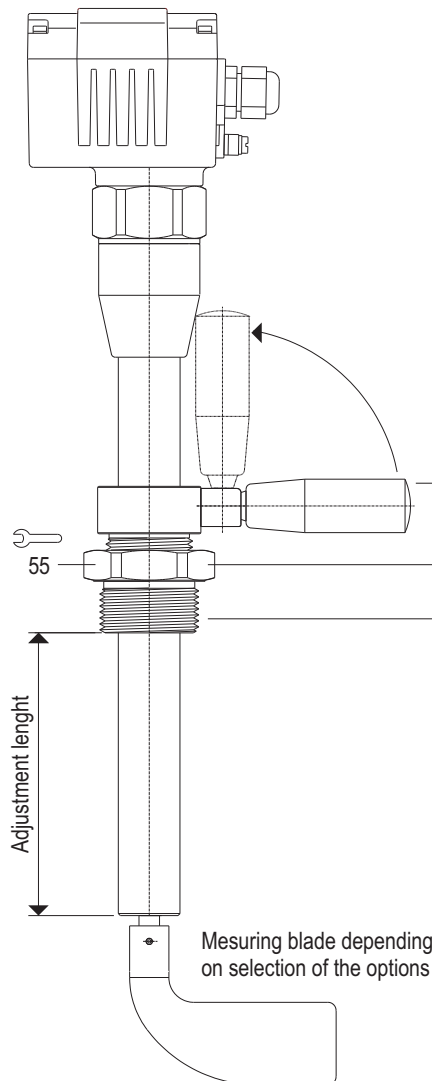
**P8**

Using the level adjustment device, various filling levels in the vessel can be adjusted continuously.

Adjustable length depending on jib length according to choice of options **DF28**.

For slant or horizontal mounting position, the adjustable length depending on slanting position and only with option **KD** (Bearing and shaft seal ring at the end of the pipe).

Measuring blade depending on choice of options **DF28**.



**HVP8**

Level adjustment for pressure-tight and dust-proof operation

Hinged lever handle GN 598.5-KU-26 for tensioning the compression gland

Compression gland

Process connection G1½ (G3)

Housing material Aluminium  
optional 1.4301 / 304 or 1.4571 / 316 Ti

Seal **Standard** NBR, black 030-006-DIR-NBR  
optional at **E1** Silicon, white FDA 030-006-DIR-SI

Bulk goods temperature -25 °C ... +80 °C  $T_{(Process)}$   
optional at **E1** -25 °C ... +150 °C  
higher temperatures on request

Vessel pressure -0.9 bar ... 1 bar  $p_{(Process)}$   
higher pressures on request

Mesuring blade depending on selection of the options

001-0207

**ATTENTION!** At temperatures above +60 °C change the level adjustment only in cold condition or carry the appropriate safty gloves.



hote surface  
don't touch

The Technical Data presented here are to be considered as maximum values, relating only to the equipment described herein. Depending on the selection of options and instruments used, these data must be considered or reduced correspondingly.