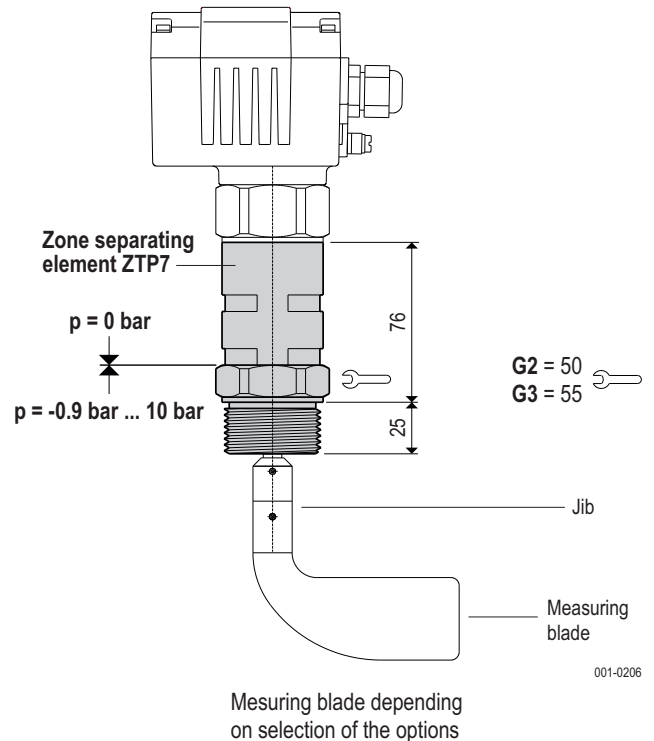


Zone separating element ZTP7

Because of the absence of shaft glands the zone separating element is absolutely gas-tight and leakage-free.

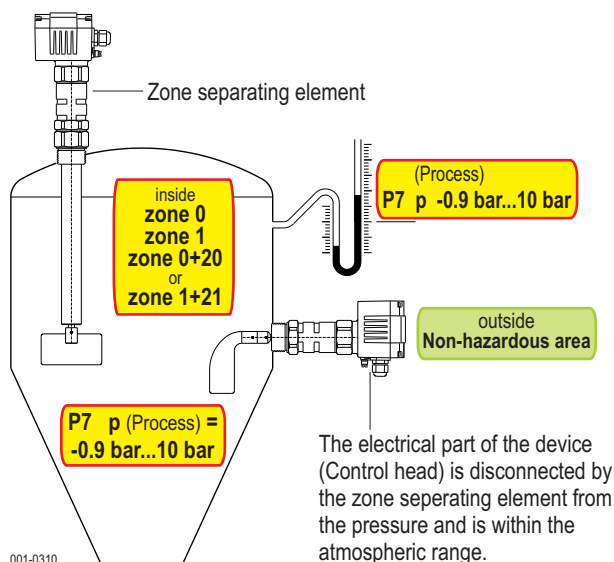
The measuring blade is driven without contact by the control head via a magnetic coupling of two rotors equipped with magnets. Between the rotors there is a bulkhead seal the process space. Thus, no gases may enter the interior of the control head or the environment.

Housing material	1.4571 / 316 Ti
Process connection	G1¼ (G2) or G1½ (G3) and all flanges
Bulk goods temperature (Process temperature)	-25 °C ... +80 °C $T_{(Process)}$
Vessel pressure	-0.9 bar ... 10 bar $p_{(Process)}$ Higher pressure on request
Response delay	U1 (Standard) approx. 3.00 sec. U5 approx. 0.60 sec.
Ex type of protection:	<div style="display: flex; align-items: center;"> ⚠ II 1D/- Ex h IIC T 80°C Da/- </div> <div style="display: flex; align-items: center;"> ⚠ II 1G/- Ex h IIB T6 Ga/- </div> <p style="margin-left: 20px;">or</p> <div style="display: flex; align-items: center;"> ⚠ II 1D/- Ex h IIC T 80°C Da/- </div> <div style="display: flex; align-items: center;"> ⚠ II 1G/- Ex h IIC T6 Ga/- </div>



The Technical Data presented here are to be considered as maximum values, relating only to the equipment described herein. Depending on the selection of options and instruments used, these data must be considered or reduced correspondingly.

Application with Gas+Dust ⚠ and **hybrid mixtures**



Surface temperature

The surface temperature **TX** of the zone separating element, jib and measuring blade depends on the bulk goods temperature resp. the ambient temperature. The non-electrical parts produce no hot surface by itself.

The "X" behind the temperature details means, that the non-electrical part of the device produces no elevation of the temperature by itself, but can transfer high temperatures from the inside of the vessel.

Because of this reason the surface temperature of the zone separating element, jib and measuring blade has to be defined according to the bulk goods temperature.



Take notice of the special conditions and instructions on the back.



Special conditions and instructions for safe application

1. The installation, maintenance, initial operation, removal and repair have to be controlled resp. checked by an “authorized person” for explosion protection and has to be carried out by qualified experts with know-how about handling of pressure equipment and pneumatic pressure units.
2. Take notice of the requirements of DIN EN 60079-14, DIN EN 60079-17 and DIN EN 1127-1, especially regarding the dust deposits and temperatures and follow the pertinent rules and regulations.
3. Take notice of the specifications on the data plate.
4. The maximum pressure and temperature given by the data plate have to be noticed and must be observed.
5. The devices have to be removed and dismantled in pressure free condition only.
6. Using the device in ambient temperatures $> +60\text{ °C}$, the applied connection cables have to be made for temperatures of min. $+80\text{ °C}$.
7. The earth connection of the device has to be installed in such a way that mechanical damage will be excluded.
8. The level indicators may only be supplemented by such non-electrical components (Jib and measuring blade) which are in accordance with the demands of the directive 2014/34/EU.
9. The plastic measuring blade TK 150 must not be installed.