

Full, empty and demand indicator with protecting tube for vertical mounting

With KD (bearing and seal ring at the end of the tube) for any mounting position

Signal contact

2 A / 250V AC potential-free

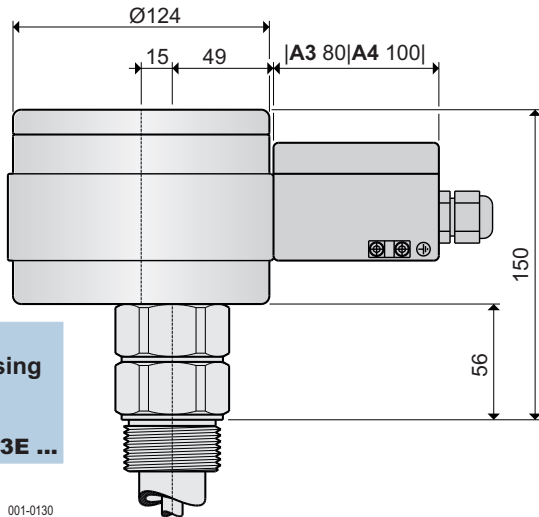
Type of protection

IP66 in accordance with DIN EN 60529

Maintenance

none

4



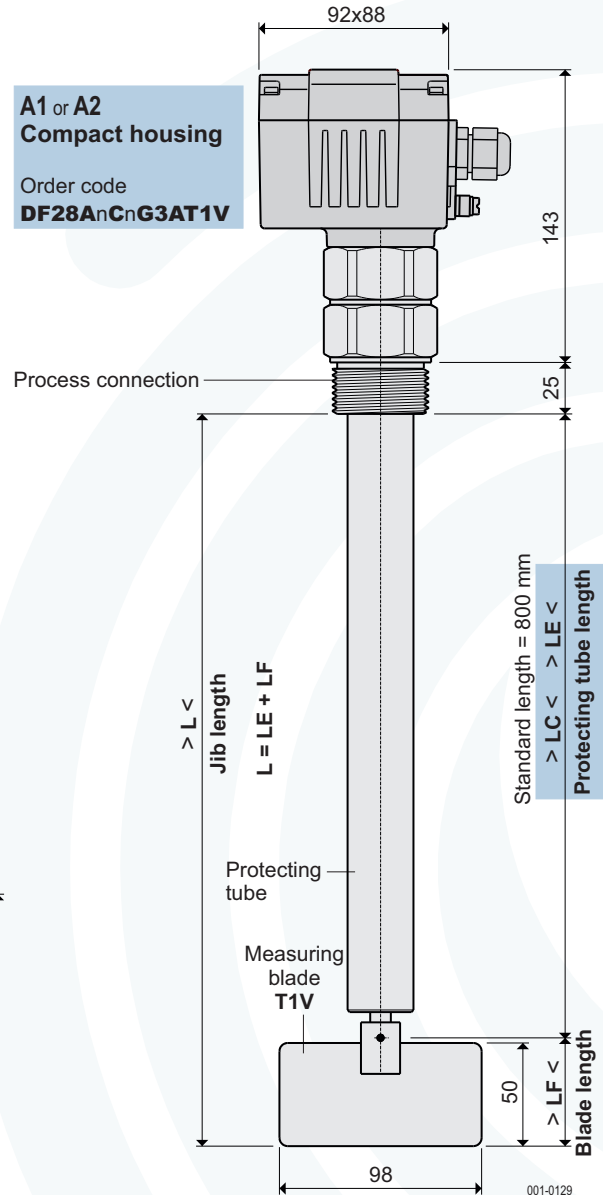
A3 or A4
Round housing

Order code
DF28AnCnG3E ...

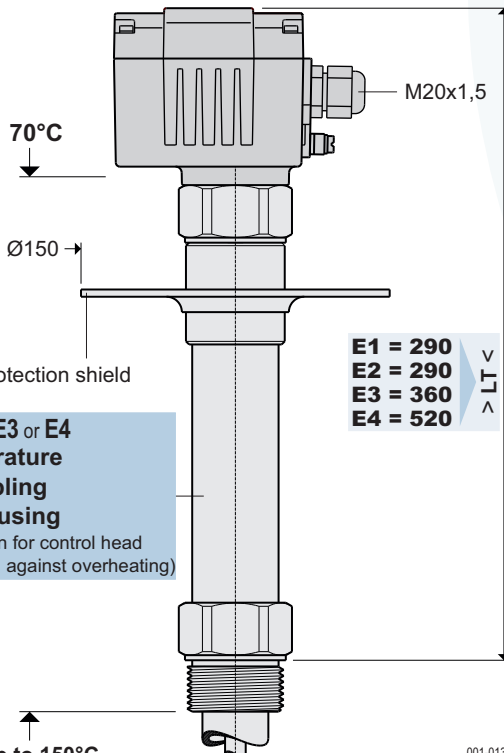
001-0130

A1 or A2
Compact housing

Order code
DF28AnCnG3AT1V



001-0129



E1 = 290
E2 = 290
E3 = 360
E4 = 520

E1, E2, E3 or E4
Temperature
decoupling
bell housing

(Extension for control head
protection against overheating)

E1 up to 150°C
E2 up to 200°C
E3 up to 260°C
E4 up to 500°C

001-0131

You will find further technical details
under appliance information DF-GI-..

4 housing versions to choice

Housing selection

A1	Standard	Compact aluminium housing	CE conform and ATEX Dust
A2	Standard	Compact stainless steel housing	CE conform and ATEX Dust
A3	ATEX II 2G IIC	Aluminium round housing	ATEX II 2G IIC
A4	ATEX II 2G IIC	Stainless steel round housing	ATEX II 2G IIC

Choice of options with

- Certifications, certificates, approvals**
- B0 Standard** = CE conform and IP66
- B1** ATEX II 1/2D IIC Dust
- B2** ATEX II 1D IIC Dust^{D2)}
- B3** ATEX II 1/3D IIB Dust
- B9** Further approvals on request

- Supply voltage / Supply**
- C1** 220...240V AC (50...60Hz)
- C2** 110...120V AC (50...60Hz)
- C3** 48V AC (50...60Hz)
- C4** 24V AC (50...60Hz)
- C5** 24V DC
- C6** 12V DC
- C7** 48V DC
- C9** Special voltages on request

- Self-monitoring**
- D0 Standard** = without monitoring
- D1** Function monitoring
- D2** Voltage monitoring

- Signal lamps¹⁾**
- H0 Standard** = with function LEDs
- H1** Collar for function LEDs
- H2** Signal lamp, LED green
- H8** Large signal lamp, LED green

- Bulk goods temperature / T_(process)**
- E0 Standard** = -25°C...+80°C²⁾
- E1** -40°C...+150°C with R1 or R5
- E2** -25°C...+200°C with R1 or R5
- E3** -25°C...+260°C with R1 or R5
- E4** -25°C...+500°C with R1 or R5
- E7** Device heating 2.5 Watt
- E9** ...+1000°C¹⁾ on request

- Container pressure / p_(process)**
- P0 Standard** = -0.5...5 bar³⁾
- P1** -0.5 bar...10 bar
- P2** -0.95 bar...25 bar⁴⁾
- P6** -0.9 bar...10 bar
- P7** -0.9 bar...10 bar⁵⁾

- Process connection**
- G2** Thread G1¼ DIN/ISO 228
- G3** Thread G1½ DIN/ISO 228
- G9** Other threads on request
- F1** Flange F70 Ø110, 4xØ9/Ø90
- F2** Flange F100 150x150, 4xØ18/Ø170
- F5** Flange DN32 PN 10
- F6** Flange DN100 PN 6

- Material of process connection**
- A** Aluminium
- E** Stainless steel 1.4301 / 304
- X** Other materials on request

- Measuring blade**
- M0** without measuring blade
- S2** Socket blade 130x30 inclined
- M2** Socket blade 90x40
- T0** Blade T220 68x220
- T1** Blade T50 98x50
- T2** Blade T100 98x100
- T5** Blade T250 250x100
- TG** Blade GT 98x8
- T8** Rubber blade¹⁾ 250x98
- X1** Blade X50 98x50
- X2** Blade X100 98x100
- X3** Blade X200 180x100
- K1** Hinged blade T230 200x30
- M9** Other measuring blades on request

- Blade reinforcement**
- without reinforcement
- V** with reinforcement

- Jib length and material**
- LE** Protecting tube in stainless

0 0 0 0 enter required length in mm, last digit always 0
min. 250 mm, max. 6000 mm

KD with bearing and seal ring at the end of the protecting tube
KD-Seal ring options: E2 and E3 = R5, at E4 protecting tube 1¼ with R8 and G3E

Accessories

- SH** Weather protection hood in PVC, RAL 7001
Certificated only for zone 22 and in non-hazardous areas
- SM2** Hexagonal nut G1¼
- SM3** Hexagonal nut G1½
- Material of nuts**
- A** Aluminium
- E** Stainless steel 1.4301 / 304
- KV1** 2. Standard cable gland
- KV2** 2. Ex cable gland

Delivery from Stock

ordered until 12⁰⁰ - dispatched at 16⁰⁰

- D2)** delivery only together with D2 or D1
- 1)** H1 and H2 with B0 or B3, H8 only with B0 deliverable
- 2)** max. bulk goods temperature at B2 = -20°C...+45°C
- 3)** container pressure at B1, B2 and B3 = -0.08bar...+0.08bar (-80...+80mbar)
- 4)** with area separating element DF-P2 (gas-tight and leakproof)
- 5)** with pressure decoupling bell housing DF-P7 (pressure separating)
- 5)** !!! usage for differences in pressure within ATEX areas !!!

€ Prices on request



B0, D0, H0, E0, P0, R0 and M0 are **not needed** for order code

- R0 Standard** with NBR seal ring, black suitable for the majority of bulk goods
- Options** only for special applications:
- R1** Seal ring in PTFE/MITON
- R2** Seal ring in NBR, white FDA
- R5** Seal ring in PTFE, white FDA
- R8** Seal ring in Graphit only with E4
- Rn** add as suffix to selected connection e.g. G3ER2

- Measuring blade passes through tight hole of:**
- G2, G3 and all other flanges
- G3 and all other flanges
- F1, F2, F6, F7 only for vertical mounting
- F2, F6, F7
- F2, F6, F7
- F2, F6, F7
- F2, F6, F7
- F2, F6, F7
- G2, G3 and all other flanges

All larger dimensioned blades **can not** be inserted through the tight holes and must be mounted from the inside.

DF28 0

Order code