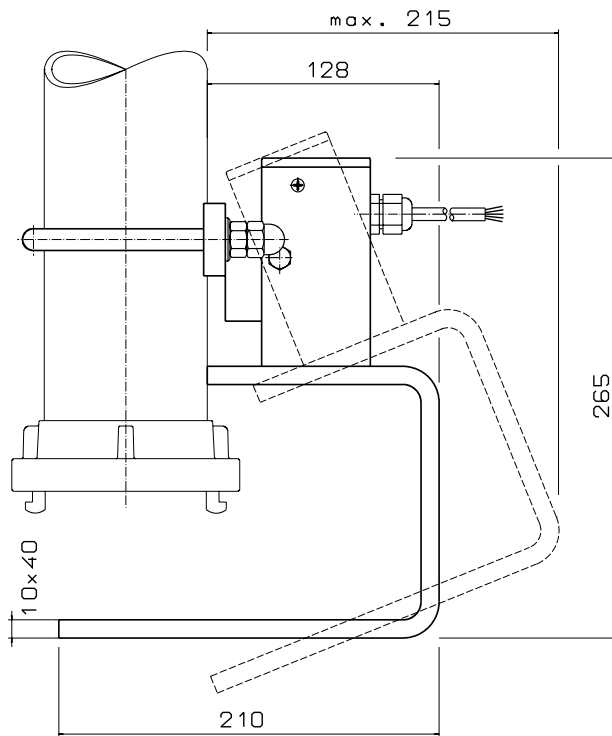


Appliance information

The swivelling lever with integrated limit switch is for signaling that a hose coupling has been coupled at silos or tanks or coupling stations.

Measurements



Mode of operation

- While coupling the counter coupling or hose coupling, the lever is swivelling besides and the limit switch will be actuated
- Blank caps don't activate the limit switch
- Due to the robust construction a damage of the switch while handling with tools will be prevented
- Insensitiveness against dirt

Use

For the heavy industry, construction industry, concrete plants, foundries, glass industry, chemical industry and environmental technologies

Material support jig and swivelling lever galvanized steel

ATEX-Options

Dust

II 3D

II 2D

Gas+Dust

II 3GD

II 2G

Switch variations

E - Limit switch with mechanical contact

Switching voltage 10... 250 V AC or DC

Switching function 1 NC + 1 NO

Capacity of the contact 1,5 A / 250 V AC

Ambient temperature -25 °C ... +70 °C

Type of protection IP67 (DIN EN 60529)

Ex type of protection B0 II 3D IP67 T80 °C
B8 II 3GD EEx nL T6 IP67

I - Inductive proximity switch

Supply voltage 10... 30 V DC

Switching function PNP, Normally Open (NO)

Load current capacity 200 mA, constant current

Ambient temperature -20 °C ... +60 °C

Type of protection IP68 (DIN EN 60529)

Ex type of protection II 3D IP68 T80 °C

N - Inductive proximity switch NAMUR

Supply voltage 8 V DC

Switching function Normally Open (NO)

Ambient temperature -20 °C ... +60 °C

Type of protection IP68 (DIN EN 60529)

Ex type of protection II 2G EEx ia IIB T6

II 2D Ex iaD 21 T67 °C

For use at pipings with

Coupling system „Storz“, couplings for tank trailers, cardan couplings, connection cones (UK), flange connections, dry couplings etc.

