

Rotary blade level indicators

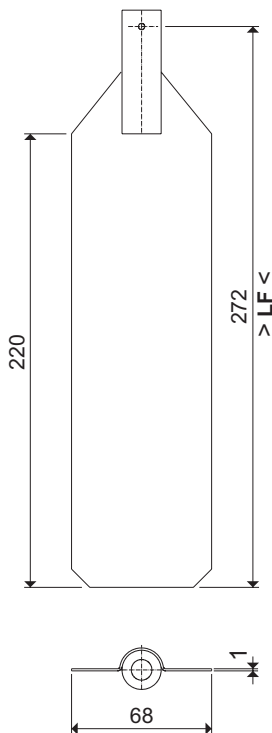
Level limit switches for bulk goods

Measuring blade dimensions

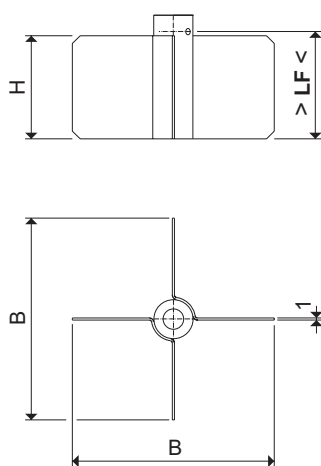
DF

Ex type of protection for all illustrated measuring blades:  II 1GD c IIB TX

TO blade

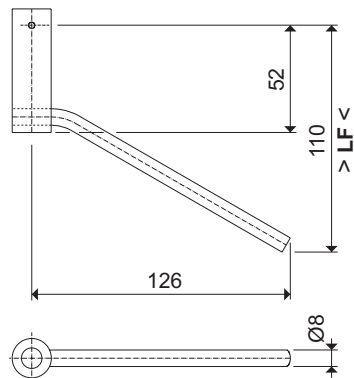


X blade

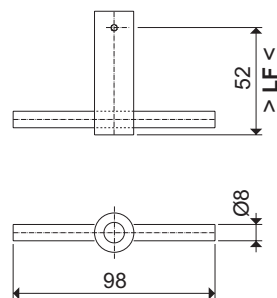


	W	H	LF
X1	98	50	52
X2	98	100	102
X3	180	100	102
XM	44	50	52

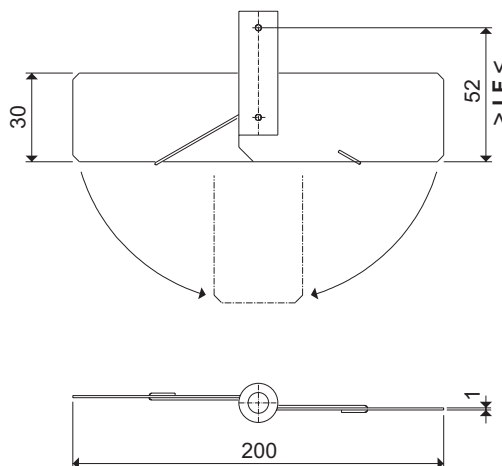
SG socket blade, reinforced



TG blade, reinforced



K1 hinged blade



Rotary blade level indicators

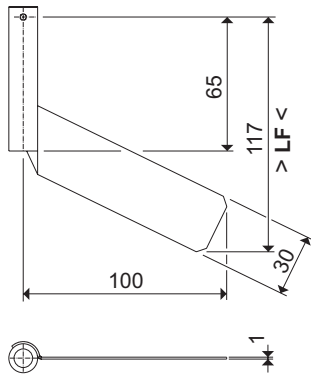
Level limit switches for bulk goods

Measuring blade dimensions

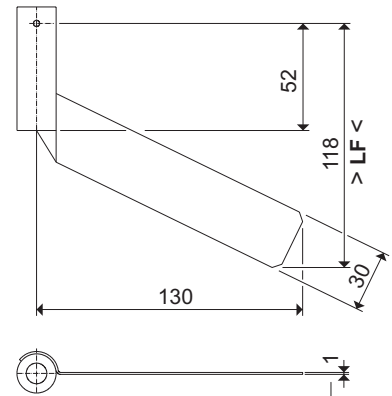
DF

Ex type of protection for all illustrated measuring blades:  II 1GD c IIB TX

S1 socket blade

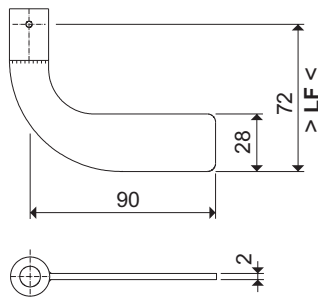


S2 socket blade

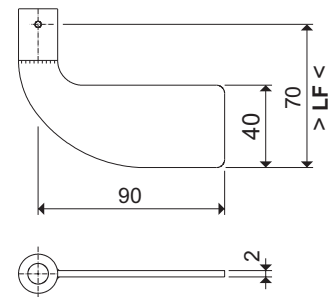


2 mm at S2V socket blade, reinforced

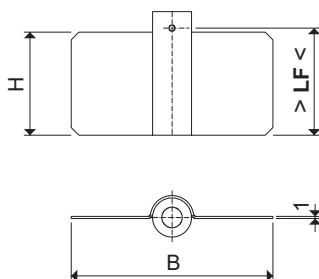
M1V socket blade, reinforced



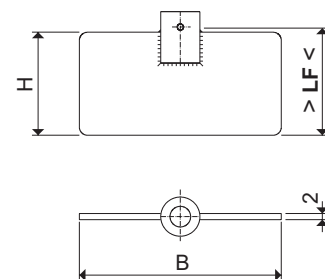
M2V socket blade, reinforced



T blade



T blade, reinforced



	W	H	LF
T1	98	50	52
T2	98	100	102
T3	200	100	102
T5	250	100	102
T8 ¹⁾	250	100	102

¹⁾ Blades, 10 mm thick, in rubber NBR, black

	W	H	LF
T1V	98	50	52
T2V	98	100	102