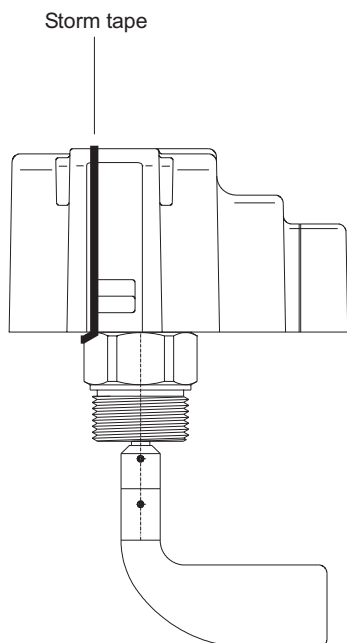


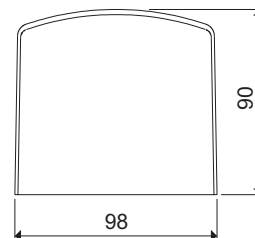
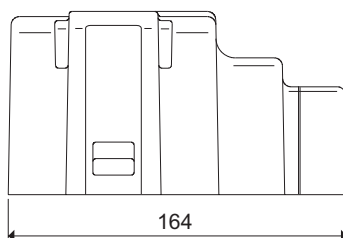
Weather protection hood for outdoor use as protection against overheating in the case of strong radiation from the sun.



DF-SH Weather protection hood with storm tape

Material PVC, RAL 7001

Ex type of protection: II 3D c TX

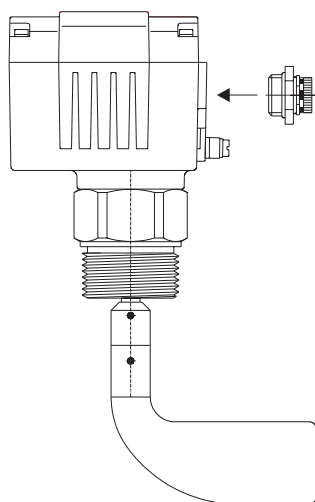


Protection of condensation

with special blocking foil for screwing in thread M20x1,5

Prevents permeation of moisture into the housing, allows vapour to escape from the inside to the outside.

Type of protection IP68 in accordance with DIN EN 60529



DF-SDK Condensation protection

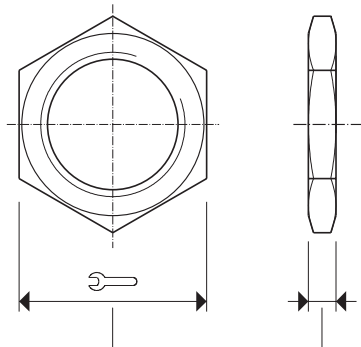
DF-SDE Condensation protection in ATEX **Dust** B0, B1 and B3 ...

Ex type of protection: II 3D T80°C IP66



Accessories

Hexagonal nuts



G1"	41	6
G1¼"	50	8
G1½"	55	8
G2"	70	10
M30x1,5	41	6
M32x1,5	41	6

Selection

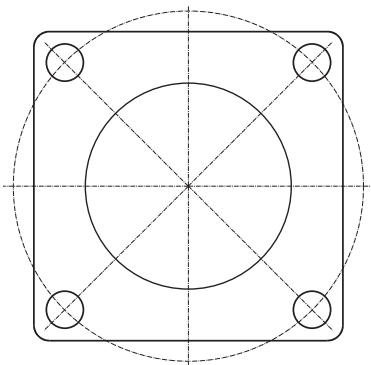
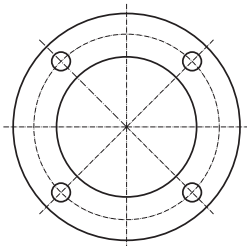
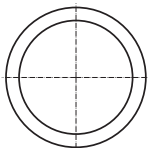
Hexagonal nuts for process connections

1	Hexagonal nut, thread	G1" DIN/ISO 228
2	Hexagonal nut, thread	G1¼" DIN/ISO 228
3	Hexagonal nut, thread	G1½" DIN/ISO 228
4	Hexagonal nut, thread	G2" DIN/ISO 228
5	Hexagonal nut, thread	M30x1,5
6	Hexagonal nut, thread	M32x1,5

Material

- A Aluminium
- E Stainless steel

DF-SM ← Order code



Seals for process connections

Selection

Process connection

G1	Thread	G1" DIN/ISO 228
G2	Thread	G1¼" DIN/ISO 228
G3	Thread	G1½" DIN/ISO 228
G4	Thread	G2" DIN/ISO 228
G5	Thread	M30x1,5
G6	Thread	M32x1,5
F1	Flange	F70 Ø110, 4xØ9/Ø90
F2	Flange	F100 150x150, 4xØ18/Ø170
F5	Flange	DN32 PN 6
F6	Flange	DN100 PN 6
F7	Flange	DN100 PN 16

Temperature / Seal compounds

E0	Standard = ...+80°C / NBR, white FDA
E2	...+200°C / Viton, black
E4	...+350°C / klingsil, green
E9	High temperature

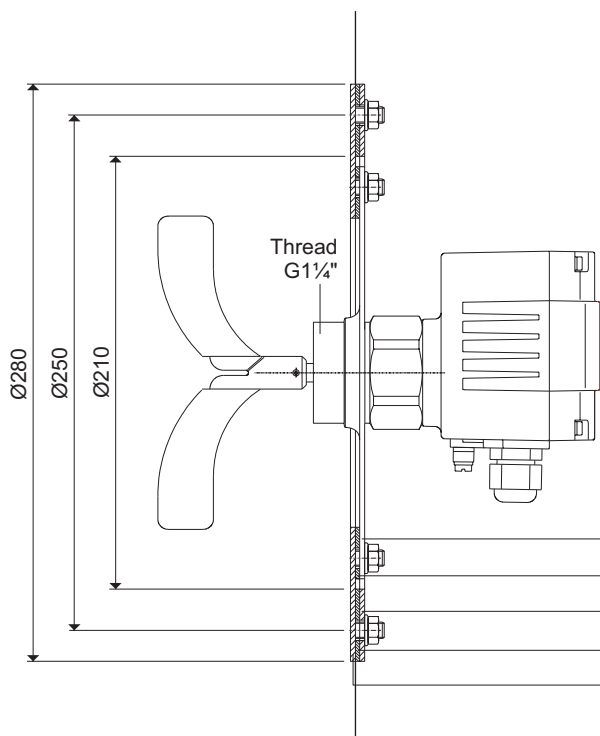
DFDR - ← Order code

Flanges for textile silos

DF-MG2 Mounting flange with G1¼" for flexible textile silos

Material steel, galvanised

Ex type of protection:  II 1D2G/2GD c IIB TX



Mounting flange comprising:

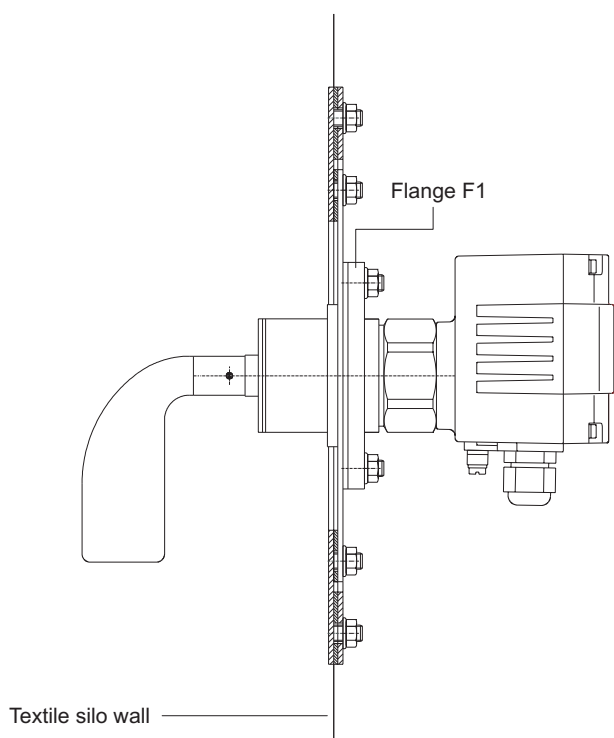
- 1 Flange for installation of level indicator
- 1 NBR seal, light colour
- 1 Clamping flange, outside
- 1 NBR seal, light colour
- 1 Broad flange for inside with welded bolt M8 complete with required nuts and washers

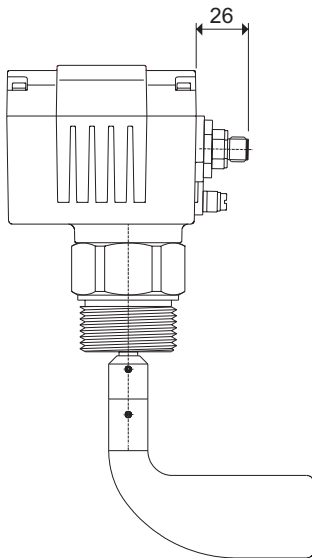
DF-MF1 Mounting flange for flexible textile silos for flange F1

(Flange F70 Ø110, 4xØ9/Ø90)

Material steel, galvanised

Ex type of protection:  II 1D2G/2GD c IIB TX

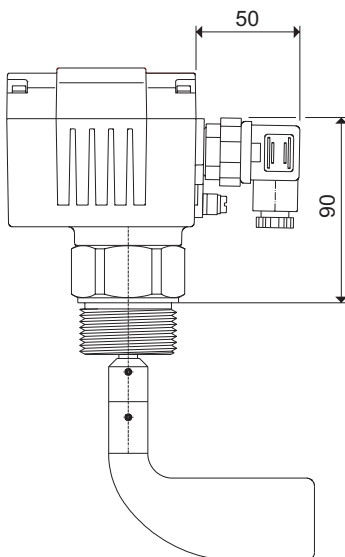





Connection plugs

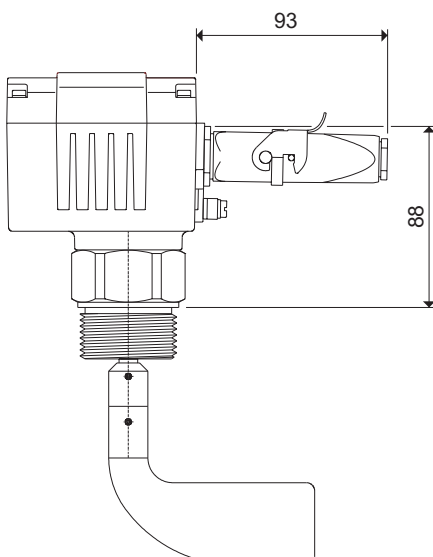
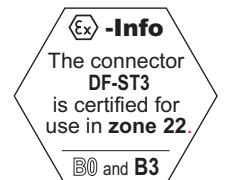
DF-ST1 Connector RSFM 4, 3-pin + PE
(sensor plug M12x1)
Housing material brass, nickel plated
Type of protection IP68 according to DIN EN 60529
Wiring according to circuit diagram 3-pin+PE
Voltages up to 240 V AC

DF-ST2 Connector RSFM 5, 4-pin + PE
(sensor plug M12x1)
Housing material brass, nickel plated
Type of protection IP68 to DIN EN 60529
Wiring according to circuit diagram 4-pin+PE
Voltages max. 24 V DC



DF-ST3 Connector GDM, 3-pin + PE
with socket connector and seal
Housing material plastic, black
Type of protection IP66 according to DIN EN 60529
Wiring according to circuit diagram 3-pin+PE

Ex type of protection:  II 3D T80°C IP66



DF-ST5 Connector HTS, 5-pin + PE
with socket connector and seal
Housing material aluminium, hammer-effect varnish
Type of protection IP66 according to DIN EN 60529
Wiring according to circuit diagram 5-pin+PE

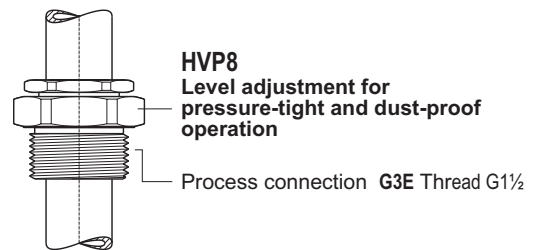
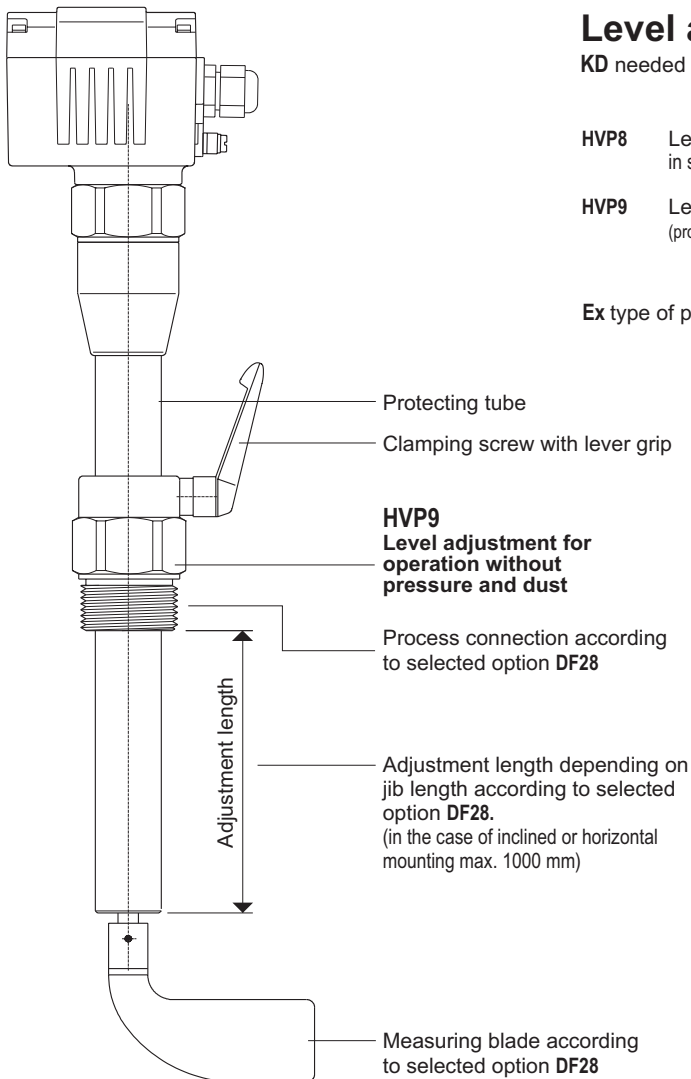
Level adjustment for level indicator DF28

KD needed as option for inclined or horizontal mounting.

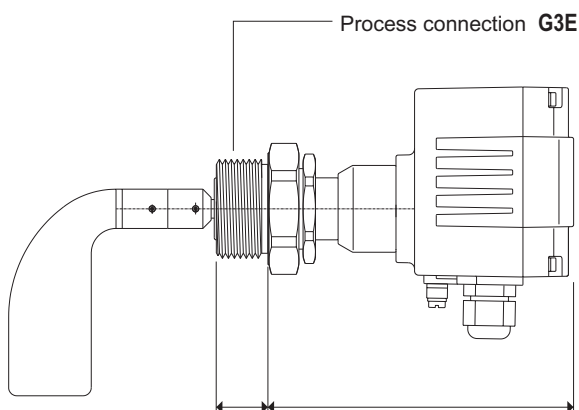
HVP8 Level adjustment for pressure-tight and dust-proof use
in stainless steel and thread G1½ (high overpressure and vacuum on request)

HVP9 Level adjustment for use without pressure and dust
(process connection and material according to option choice **DF28**)

Ex type of protection:  II 1D2G/2GD c IIB TX



 **-Info**
The level adjustment is certified for use in hazardous locations.



Vibration dampening for level indicator DF22

with process connection G3E (thread G1½ in stainless steel)

Option to choose for DF22

Container pressure max. -0,5 bar ... 1 bar
(higher pressures on request)

DF-VDN Vibration dampening with sealing in NBR
for bulk goods temperature **E0** -25 °C ... +80 °C

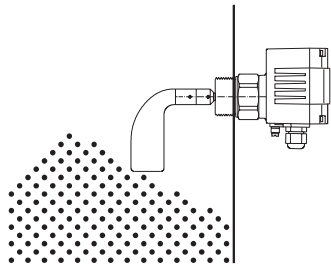
DF-VDE Vibration dampening with sealing in silicon
for bulk goods temperature **E1** -25 °C ... +150 °C

Rotary blade level indicators

Level limit switches for bulk goods

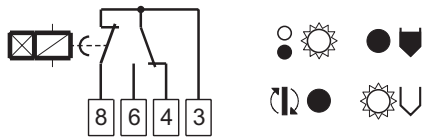
Accessories

DF



Signal delay - empty indication

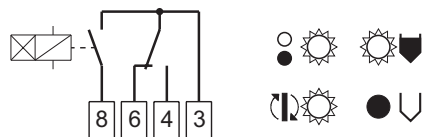
D3 Signal delay - empty indication



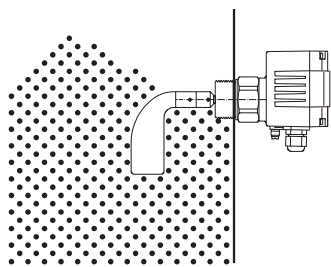
Option D3 retards the empty indication

The empty signal will be delayed on clamp 8 for 1.5 seconds.

(Relay contact closes with 1.5 sec delay after closing the contact to clamp 4)

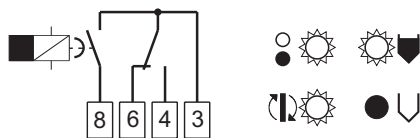


In the case of full indication, the relay opens immediately (without any delay).



Signal delay - full indication

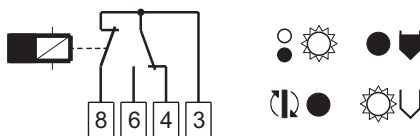
D4 Signal delay - full indication



Option D4 retards the full indication

The full signal will be delayed on clamp 8 for 1.5 seconds.

(Relay contact opens with 1.5 sec delay after closing the contact to clamp 6)




In the case of empty indication, the relay closes immediately (without any delay).

Rotary blade level indicators

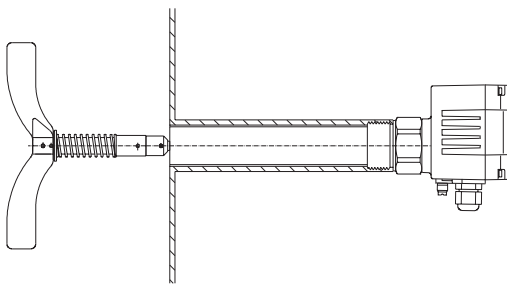
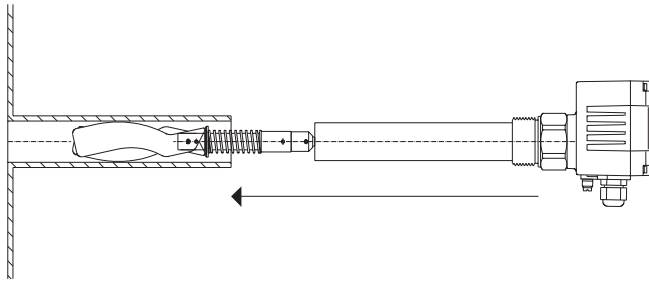
Level limit switches for bulk goods

Accessories - Hinged blade K3

DF

Ex type of protection for all measuring blades K3:  II 1GD c IIB TX

- K31 Hinged blade - double-sided
- K32 Hinged blade - double-sided, inclined
- K33 Hinged blade - single-sided

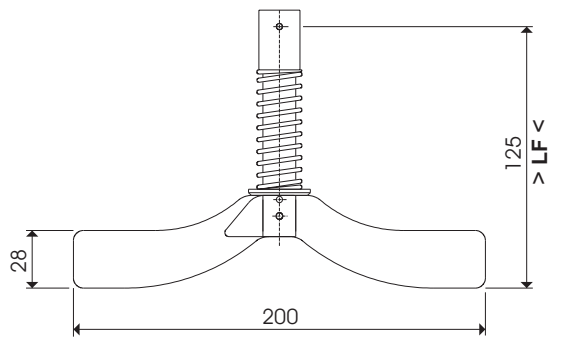


The hinged blade can be inserted folded up, even through a long mounting socket.
The blade opens at the end of the tube automatically by a spring.

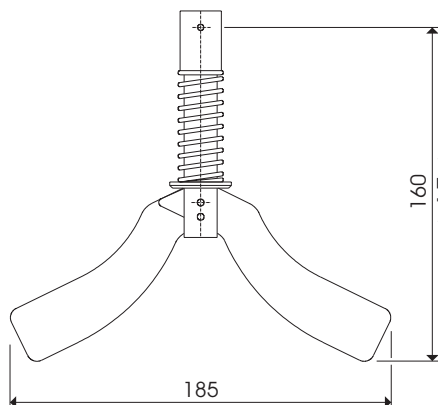
While demounting the level indicator, the blade is folding up itself during the pulling out.

Due to the rounded, oval form, the blade is gliding out easily through the mounting socket, even if there is an internal thread or some irregularities at the inner surface.

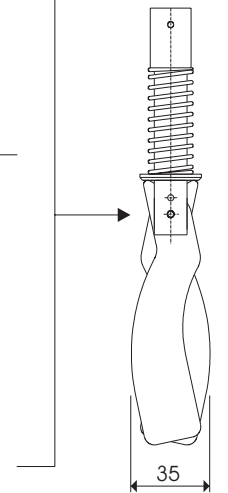
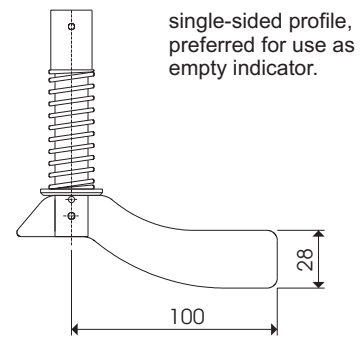
K31 Hinged blade



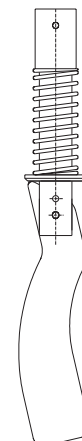
K32 Hinged blade



K33 Hinged blade



Hinged, for passing through a socket G1¼".



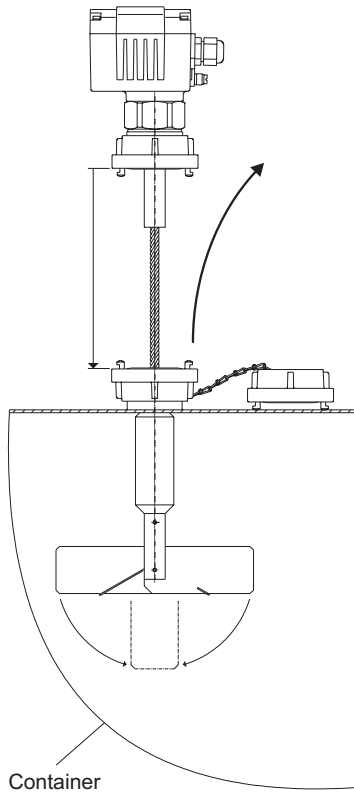
Pressed in a straight line, for passing through a socket G1¼"

Rotary blade level indicators

Level limit switches for bulk goods

Accessories

DF



Quick couplings

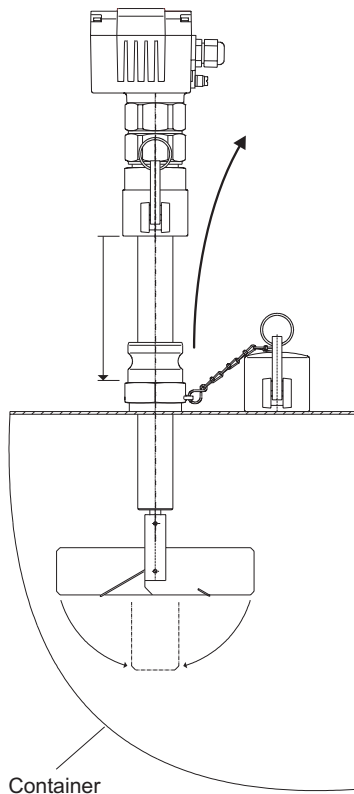
For the full and empty indication during the filling and discharging process of containers. The level indicator will be inserted through the port in the container and connected airtight by a coupling.

After filling or discharging process the level indicator will be taken out and the port will be closed by a blank cap for the transport.

DF-SZ50 Quick coupling with bayonet
incl. coupling for the container and the blank cap

Material	AlMgSi1
Seal ring	NBR, white FDA
Pressure	-0.9 bar ... 10 bar
Bulk goods temperature	-25 °C ... +80 °C

Ex type of protection:  II 1D2G/2GD c IIB TX



DF-AK50 Quick coupling KAMLOK
incl. coupling for the container and the blank cap

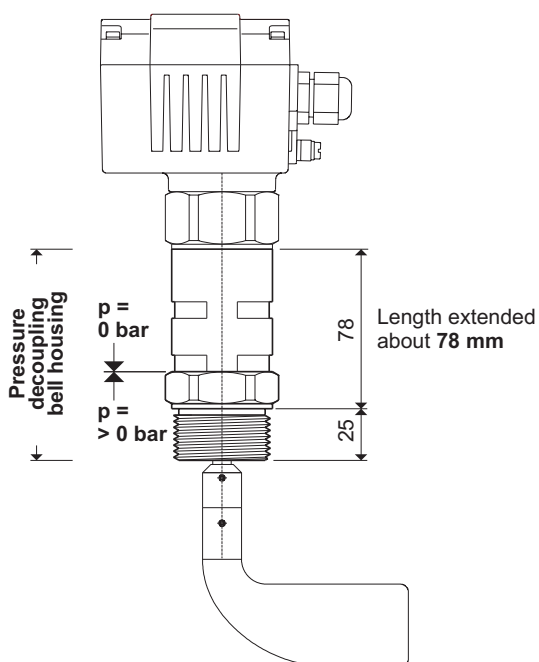
Material	1.4571
Seal ring	Viton
Pressure	-0.9 bar ... 10 bar
Bulk goods temperature	-25 °C ... +150 °C

Ex type of protection:  II 1D2G/2GD c IIB TX



Both quick couplings are optional available with the following

Rotary blade level indicators
or
DF27...G3...K.
DF28...G3...K.
(Process connection thread G1½" and hinged blade K.)



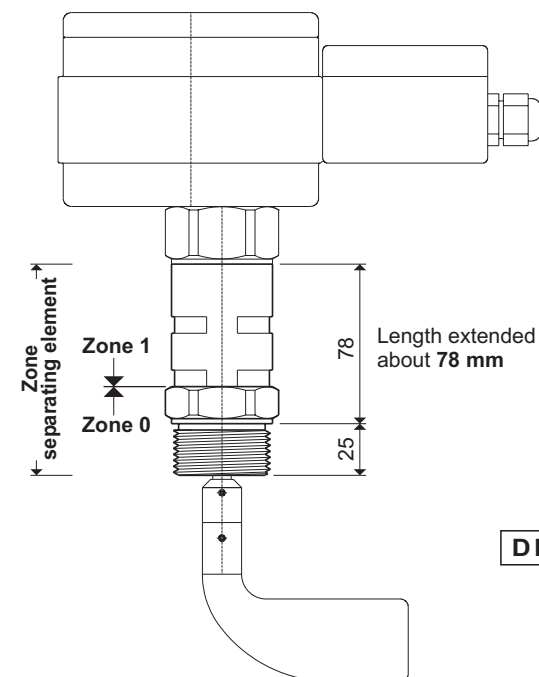
Pressure decoupling bell housing

- P2** Pressure decoupling bell housing (pressure separation)
Material of housing 1.4301/ stainless steel
Container pressure -0.1 bar ... 10 bar
Type of protection IP66 according to DIN EN 60529

- P5** Pressure decoupling bell housing (pressure separation)
Material of housing 1.4301/ stainless steel
Container pressure -0.9 bar ... 1 bar
Type of protection IP66 according to DIN EN 60529

- P7** Pressure decoupling bell housing (pressure separation)
Material of housing 1.4301/ stainless steel
Container pressure -0.9 bar ... 10 bar
Type of protection IP66 according to DIN EN 60529

Ex type of protection: II 1D2G/2GD c IIB TX



Zone separating element

Selection

Process connection / Material

- G1E** Thread G1" DIN/ISO 228 / 1.4301
- G2E** Thread G1¼" DIN/ISO 228 / 1.4301
- G3E** Thread G1½" DIN/ISO 228 / 1.4301

Temperature / Seal ring compounds

- R0** Standard = ...+80°C / NBR, black
- R1** ...+150°C / Viton/Teflon/VA
- R2** ...+80°C / NBR, white FDA
- R5** ...+260°C / Teflon

DF-ZT - - - - - **Order code**

Ex type of protection: II 1GD/2GD c IIB TX



